



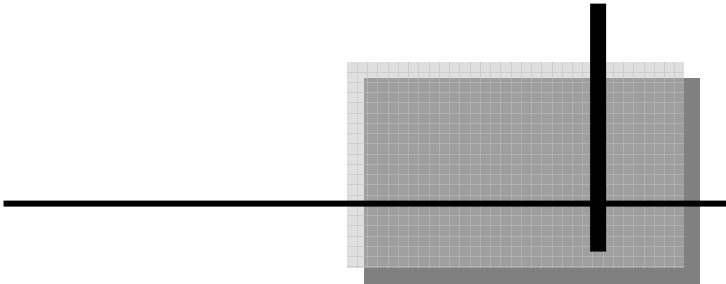
OPERATIONS & PARTS

EDEN 750 HYDROSEEDER EQUIPMENT



Pik Rite, Inc
60 Pik Rite Lane
Lewisburg, PA 17837
Ph. 800-326-9763
Fx. 570-523-8175
www.pikrite.com

8/15/08





EDEN EQUIPMENT 750 HYDROSEEDER

(SPECIFICATIONS AND DESIGN SUBJECT TO CHANGE WITHOUT NOTICE)

- INTRODUCTION -



This safety alert symbol identifies important safety messages in this manual. When you see this symbol, be alert to the possibility of personal injury and carefully read the message that follows.

Record your seeder serial number in the space provided below:

S. N. _____

Purchase Date _____

- TABLE OF CONTENTS: OPERATIONS –

Section 1	8
SAFETY	11
Recognize Safety Information	9
Understand Signal Words	9
Follow Safety Instructions	10
Prepare for Emergencies	11
Wear Protective Clothing	11
Protect Against Noise	11
Handle Chemical Products Safely.....	12
Stay Clear of Rotating Drivelines	12
Practice Safe Maintenance	13
Remove Paint Before Welding or Heating	14
Avoid Heating Near Pressurized Fluid Lines.....	14
Avoid High-Pressure Fluids.....	15
Section 2	16
PREPARATION, OPERATION & MAINTENANCE	17
2 - 1: Preparing Your Seeder for Operation	17
2 - 2: Operators Instructions.....	18
Matching Speed to Desired Performance	18
Agitation.....	18
The Product Pump.....	18
Choosing Application Method	19
The Hose Reel.....	19
Filling The Tank	19
Flushing	20
2 - 3: Hydraulic System Requirements.....	20
Hydraulic Fluids	20
2 - 4: Maintenance of the Seeder.....	20
Winterization	20

-TABLE OF CONTENTS: PARTS-

Main Components

EHS750-1-1 Main Frame, Trailer.....	24
EHS750-1-1.1 Main Frame, Skid.....	26
EHS750-1-2 Tires & Wheels, Steel.....	28
EHS750-1-2.1 Optional: Tires & Wheels, Aluminum	30
EHS750-1-3 Agitator.....	32
EHS750-1-4 Oil Reservoir.....	34
EHS750-1-5 Fresh Water Tank.....	36
EHS750-1-6 Hose Reel: 1¼ x 145', Dual Guide, Dual Switch	38
EHS750-1-7 Turret Gun & Rack, 2 x 3 -8 Vortex Pump	40
EHS750-1-7.1 Less Turret Gun & Rack.....	42

Plumbing and Drive

EHS750-2-1 Plumbing.....	44
EHS750-2-2 Hydraulics, Gas Engine	46
EHS750-2-3 Electrical, Trailer.....	49
EHS750-2-3.1 Electrical, Skid.....	50
EHS750-2-4 Engine Drive: 25hp Gas.....	51
EHS750-2-4.1 Engine Drive, Diesel	51
EHS750-2-5 Product Pump: 2 x 3 -8 Vortex	52

Decals and Miscellaneous

EHS750-3-1 Decals, Trailer.....	54
EHS750-3-1.1 Decals, Skid.....	56
EHS750-3-2 Fuel Tank: 8 Gal. Gas, Trailer	58

EHS750-3-2.1 Fuel Tank: 8 Gal. Gas, Skid 60

EHS750-3-3 Water Fill Pump, Trailer **Error! Bookmark not defined.**

EHS750-3-3.1 Water Fill Pump, Skid **Error! Bookmark not defined.**

EHS750-3-3.2 Less Water Fill Pump..... 66

EHS750-3-4 Jack Stand 68

EHS750-3-5 Hydrant Fill Pipe..... 70

EHS750-3-6 Toolbox 72

Operators Manual

SAFETY

The operator's safety is one of the prime considerations in the minds of Pik Rite engineers when designing Pik Rite equipment. Shielding, simple adjustments, and other safety features were built into your seeder.

WARNING: Modifications to the equipment may adversely affect its safety features as well as its efficiency and longevity.

Recognize Safety Information

This is the safety-alert symbol. When you see this symbol on your machine or in this manual, be aware of the potential for personal injury.

Follow recommended precautions & safe operating practices.



Understand Signal Words

A signal word—DANGER, WARNING or CAUTION—is used with the safety-alert symbol.

- DANGER identifies the most serious hazards.
- DANGER or WARNING safety signs are located near specific hazards. General precautions are listed on CAUTION safety signs.



Follow Safety Instructions

Carefully read all safety messages in this manual and on your machine safety signs.

- **Keep safety signs in good condition.**
- **Replace missing or damaged safety signs.**
- **Be sure that all new equipment components and repair parts include the current safety signs. *Replacement safety signs are available from Pik Rite.***
- Learn how to operate the machine and how to use controls properly. **CAUTION: *Do not allow anyone to operate your machine without instruction.***
- Keep your machine in proper working condition. Unauthorized modifications to the machine may impair function and/or safety and affect machine life.

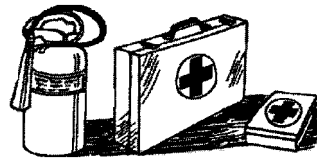


NOTE: *If you do not understand any part of this manual and need assistance, please contact your Pik Rite representative.*

Prepare for Emergencies

Be prepared if a fire starts.

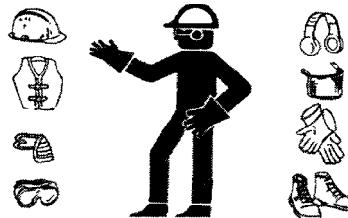
- **Keep a first aid kit and fire extinguisher handy.**
- Keep emergency numbers for the ambulance service, hospital, fire department, and doctors near your telephone.



Wear Protective Clothing

- Wear close fitting clothing and safety equipment appropriate to the job.

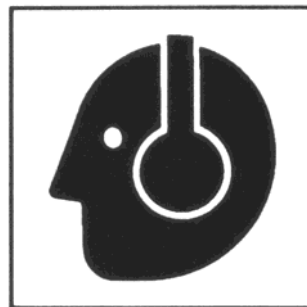
CAUTION: *Do not wear radio or music headphones while operating machine. Operating equipment safely requires the full attention of the operator.*



Protect Against Noise

WARNING: Prolonged exposure to loud noise can cause impairment or loss of hearing.

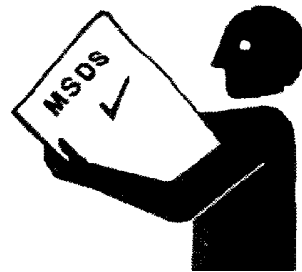
- **Wear a suitable hearing protective device such as earmuffs or earplugs to protect against objectionable or uncomfortable loud noises.**



Handle Chemical Products Safely

WARNING: Direct exposure to hazardous chemicals can cause serious injury. Potentially hazardous chemicals used with Pik Rite equipment include *lubricants* and *paints*.

- A Material Safety Data Sheet (MSDS) provides specific details on chemical products: physical and health hazards, safety procedures, and emergency response techniques.



- Check the MSDS before you start any job using a hazardous chemical. That way you will know exactly what the risks are and how to do the job safely. Then follow the advised procedures and make use of the recommended equipment.

NOTE: Contact the Pik Rite Lewisburg, PA office for MSDS on chemical products used with Pik Rite equipment.

Stay Clear of Rotating Drivelines

WARNING: Entanglement in rotating driveline can cause serious injury or death.

- Keep the driveline shields in place at all times. Make certain that rotating shields turn freely.
- Wear close fitting clothing. Stop the engine and be sure that the PTO drive line is stopped before making adjustments, connections, or cleaning out the PTO-driven equipment.



Practice Safe Maintenance

Understand service procedure before doing work. Maintain cleanliness and dryness in work area.

- **Never lubricate or service the machine while it is in motion.**

WARNING: Be sure to keep hands, feet, and clothing away from power-driven parts.

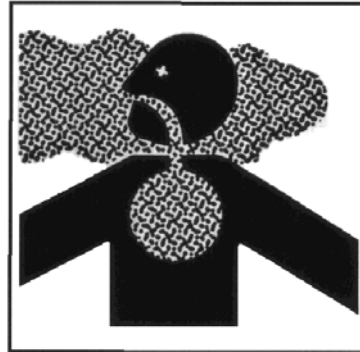
1. Disengage all power and manipulate controls to relieve pressure.
 2. Lower equipment to the ground.
 3. Stop the engine.
 4. Remove the key.
 5. Allow machine to cool.
- Securely support any machine elements that must be raised for service work.
 - Keep all parts in good condition and properly installed. Fix damage immediately. Replace worn or broken parts. Remove any buildup of grease, oil, or debris.
 - Disconnect battery ground cable (-) and unplug main power supply cord before making adjustments on electrical systems or welding on machine.



Remove Paint Before Welding or Heating

WARNING: Avoid potentially toxic fumes and dust. Hazardous fumes can be generated when paint is heated by welding, soldering or using a torch.

- Do all work outside or in a well-ventilated area. Dispose of paint and solvent properly.
- Remove paint before welding or heating.
- If you sand or grind paint, avoid breathing the dust. Wear an approved respirator.
- If you use solvent or paint stripper, remove stripper with soap and water before welding.
- Remove solvent or paint stripper containers and other flammable material from the area.
- Allow fumes to disperse at least 15 minutes before welding or heating.



Avoid Heating Near Pressurized Fluid Lines

WARNING: Flammable spray can be generated by heating near pressurized fluid lines, resulting in severe burns to you and bystanders.

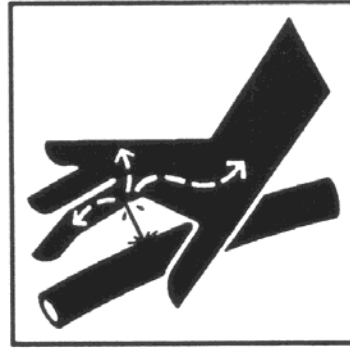
- Do not heat by welding, soldering, or using a torch near pressurized fluid lines or other flammable materials. Pressurized lines can be accidentally cut when heat goes beyond the immediate flame area.



Avoid High-Pressure Fluids

WARNING: Fluid escaping under pressure carries the potential to penetrate the skin resulting in serious injury.

- Avoid this hazard by relieving pressure before disconnecting hydraulic or other lines. Tighten all connections before applying pressure.
- Search for leaks with a piece of cardboard.
- Protect hands and body from high-pressure fluids.
- If an accident occurs, see a doctor immediately.



WARNING: Any fluid injected into the skin must be surgically removed within a few hours or gangrene may result. Doctors unfamiliar with this type of injury should reference a knowledgeable medical source.

Section 2
PREPARATION, OPERATION & MAINTENANCE

PREPARATION, OPERATION & MAINTENANCE

2 - 1: Preparing Your Seeder for Operation

1. Begin by filling the tank with clean water to the operation level.
2. Add mulch one bale at a time, closing the lid to allow the agitator to run until the bale is well mixed into the slurry. The safety switch will not allow operation of the agitator when the lid is open.
3. Add seed and agitate.
4. Add fertilizer and tackifier to the slurry.
5. When using granular fertilizer add it into the slurry and agitate until the slurry is a consistent mix.

2 - 2: Operators Instructions

Matching Speed to Desired Performance

For best results and longer life of your equipment, product pump speed should match the specific application. This is a learned skill that will develop with experience. For example, you can avoid unnecessary wear on your product pump and prolong engine life if you avoid prolonged use at speeds higher than needed to achieve the desired pressure and flow. Running the product pump at higher RPM and partially closing the nozzle valve will not only waste energy but shorten the life of the pump and engine. Find a speed that gives you the optimum performance for the job.

When higher volume and pressure is needed to obtain the desired range on your turret gun, increase the RPM to achieve the desired performance.



Agitation

Agitator speed is controlled with a flow control valve mounted near the product pump (see photo). To increase speed, turn the lever to the right, to decrease turn to the left. Typically the optimum speed is at about a 1 or 2 o'clock position. Run the agitator at a speed that will give you the best results in bringing the slurry to the desired consistency. Again, running the agitator at a higher speed than necessary for prolonged periods will waste energy and stress the system unnecessarily.

The agitator is controlled by a switch on the side of the fill door. When the switch is centered the agitator is turned off. Reversing the direction of the agitator paddles is as easy as flipping the switch up or down. **DO NOT RUN THE AGITATOR WITH THE DOOR OPEN.** A safety switch is installed to stop the agitator when the door is open.



The Product Pump

Before starting product pump open the main valve at the bottom of the product tank. This valve must be fully open when applying product. To run the product pump pull the valve lever toward you. Avoid running the product pump in a "dead-headed" situation for more than a minute or two. When not applying product, the by-pass valve should be opened to allow product to circulate back to tank. This again will add life to your engine and pump as well as conserving energy.



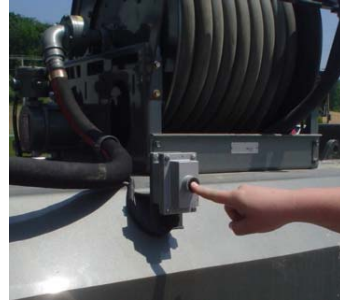
Choosing Application Method

To choose application method open the ball valve that feeds either the turret gun or the hose reel. To increase performance close the bypass valve that sends the flow back to tank. To avoid undue stress on the system the bypass valve should be opened within a few minutes of closing the application valves.



The Hose Reel

To operate the hose reel simply pull out the desired length of hose needed for the job. When finished applying press the button on the side to rewind the hose. Keep the hose and reel clean for optimum performance.



The hose reel is a 12vdc rewind system that allows the operator to adjust spring tension to create more or less drag on the reel. The reel does not have a locking feature so it is important that the nozzle be securely tucked into the bottom of the reel when transporting. Proper tension adjustment will not allow the reel to unravel during transport.

There are three lube points on the reel. Lubricate these as necessary.



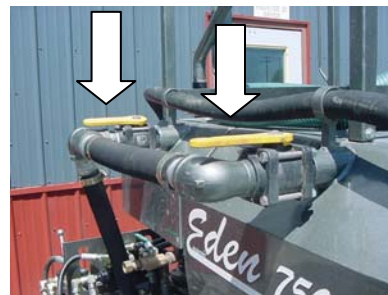
A 70 amp breaker protects the hose reel motor from overload and can be reset by pressing the red button as shown.



Filling The Tank

When filling the tank with the optional fill pump opening the front ball valve will direct flow into the main product tank. Opening the valve on the back (left pictured) will fill the fresh water tank. When drawing from a pond or stream be sure the water is properly strained or product pump damage will occur.

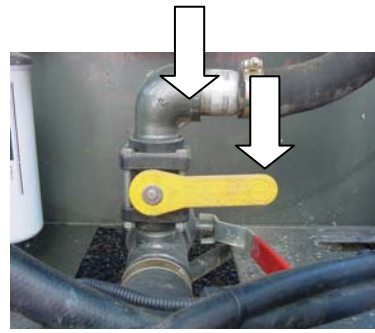
To fill from a fresh water line with a garden hose, attach garden hose to the proper port and open the valve. The fresh water tank will fill first and will overflow into the product tank if both ball valves are open.



Flushing

If your unit is equipped with the fresh water tank option, follow this procedure to flush your system: When finished applying product, close the main valve and open fresh water valve, in that order. Run the product pump and completely flush product from all lines with fresh water. Otherwise put fresh water into the product tank and flush the system with that.

Do not let slurry in the application system for prolonged periods i.e., overnight. The mulch will continue to absorb water and expand, causing the system to plug.



2 - 3: Hydraulic System Requirements

Hydraulic Fluids

Maintaining the hydraulic fluid level is very important. When you open the fill cap on the tank you should be able to see hydraulic fluid up in the strainer. If you need to add fluid for any reason, use only a high quality ISO 46 weight hydraulic fluid with anti-foam and anti-wear properties. If leaks occur in your system for any reason, stop the engine immediately. Running the system dry will cause damage to the hydraulic pump.

2 - 4: Maintenance of the Seeder

Winterization

Before beginning to winterize, be sure all areas have been washed and flushed with clean water.

Careful attention must be given to avoid freezing ANYWHERE in this unit. It is designed to allow drainage of all pumps and tanks. Give very careful attention to draining the application hose, all parts of the hose reel and the curved piping near the turret. The ball valves should be opened to drain the system, then closed half way a (45°) angle to drain the valve, then fully opened or fully closed so the seals are not packed by the ball when it is in storage.

We recommend complete draining of the unit. If you choose to use any type of anti-freeze agent, you do so at your own risk. You could jeopardize your warranty by using any such products.

NOTES

DIRECTION ARROW

ARROWS ARE USED WITH ILLUSTRATIONS TO INDICATE THE FRONT OF THE UNIT. "RIGHT-HAND" AND "LEFT-HAND" SIDES ARE DETERMINED BY FACING THE DIRECTION OF MACHINE FORWARD TRAVEL.

BOX ENCLOSED ILLUSTRATIONS

A REFERENCE NUMBER, SHOWN IN THE PARTS LIST, IS ASSIGNED TO A BOX ENCOMPASSING ALL PARTS SOLD AS A SERVICE ASSEMBLY.

REFERENCE NUMBER IDENTIFICATION

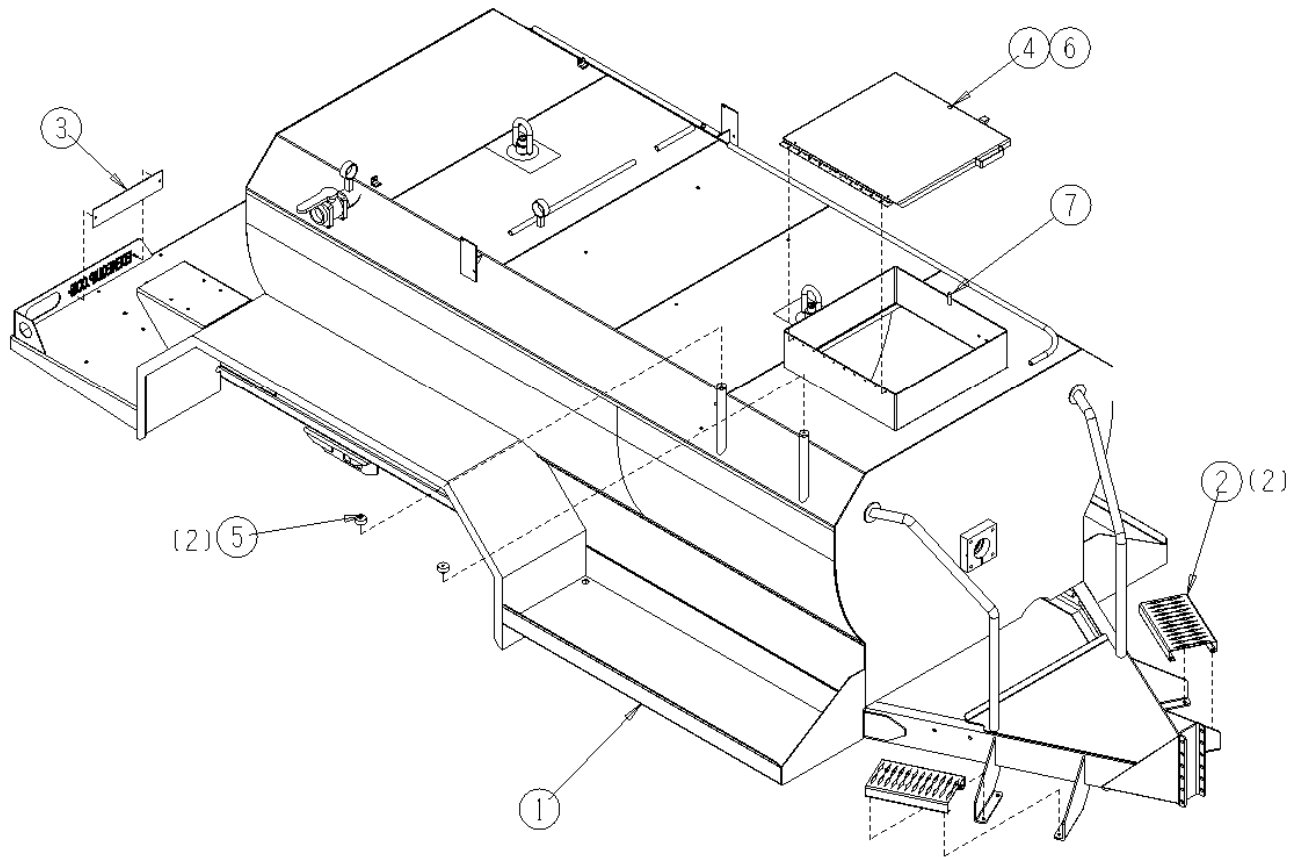
000-099 PARTS USED FOR ASSEMBLY
100-199 BOLTS & FASTENERS
800-899 REPLACEMENT PARTS OR SERVICE ASSEMBLIES –
USED TO REPLACE OR REBUILD COMPONENTS OF THE
MACHINE

Parts Manual

EHS750-1-1 Main Frame, Trailer

<u>Ref</u>	<u>Part No.</u>	<u>Description</u>	<u>Parts – Assembly</u>	<u>Will Fit SN</u>	<u>Remarks</u>
1	TAN-750-3	750 Gal, Seeder, 54" Dia, Trailer	1		
2	STP-0004	Step, Front A-Frame, Seeder	2		
3	BRK-0259	Backing Plate, Seeder, Trailer Mount	1		
4	BRK-0239	Lid, Bail Chopper, 750 Gal, Seeder	1		
5	194-1418	Rubber Bumper	2	19401	
6	RI-3-12-SS	SS Pop Rivets 3/16 x 3/4 Domed, .625 head , ea.	10		
7	PIN-3-9-QRPL	Spring Loaded Pin w/ Lanyard, 3/16 x .6 Usable Length	1		

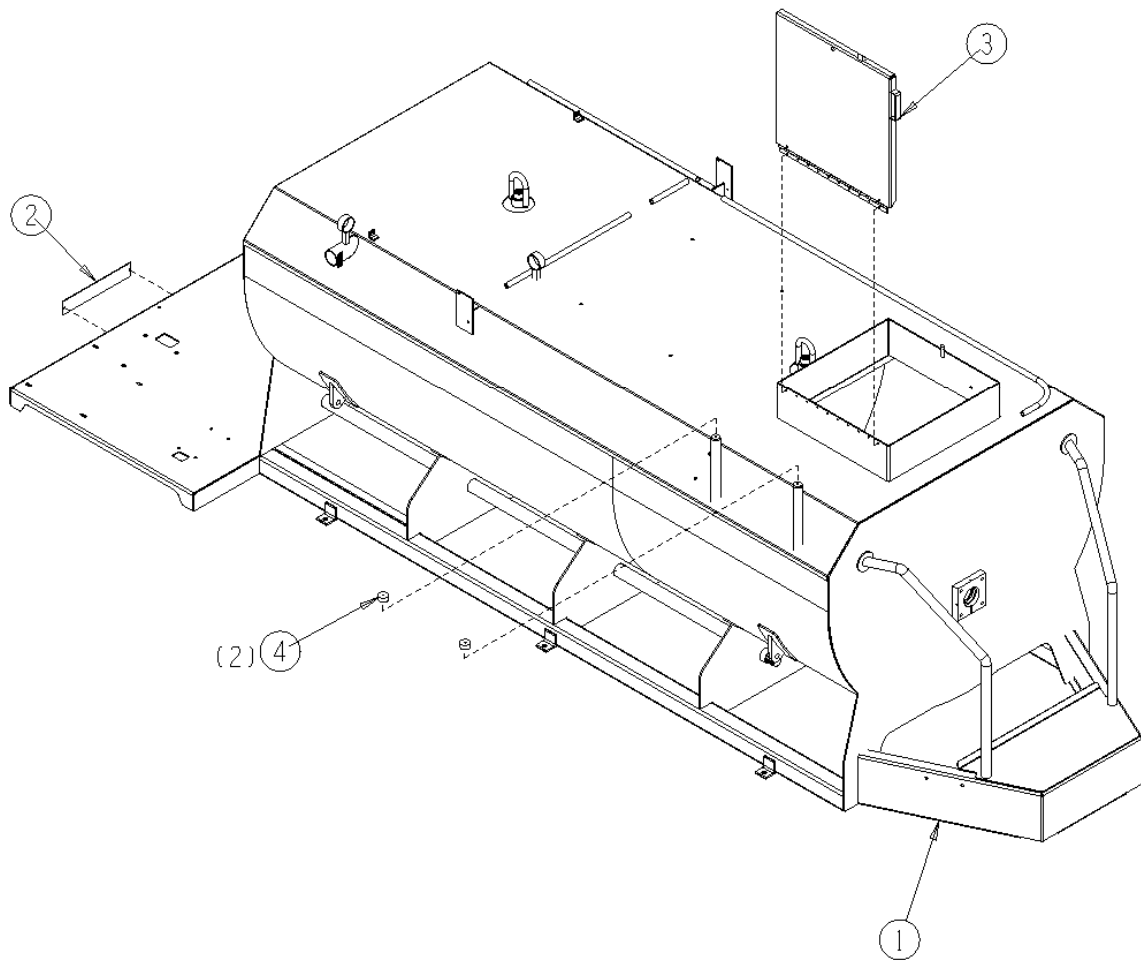
EHS750-1-1



EHS750-1-1.1 Main Frame, Skid

<u>Ref</u>	<u>Part No.</u>	<u>Description</u>	<u>Parts – Assembly</u>	<u>Will Fit SN</u>	<u>Remarks</u>
1	TAN-750-4	750 Gal. Seeder, 54" Dia. Skid Mount	1		
2	BRK-0279	Backing Plate, HydroSeeder, Mirror, Skid Mount	1		
3	BRK-0239	Lid, Bail Chopper, 750 Gal, Seeder	1		
4	194-1418	Rubber Bumper	2	19401	
5	RI-3-12-SS	SS Pop Rivets 3/16 x 3/4 Domed, .625 head , ea.	10		
6	PIN-3-9-QRPL	Spring Loaded Pin w/ Lanyard, 3/16 x .6 Usable Length	1		

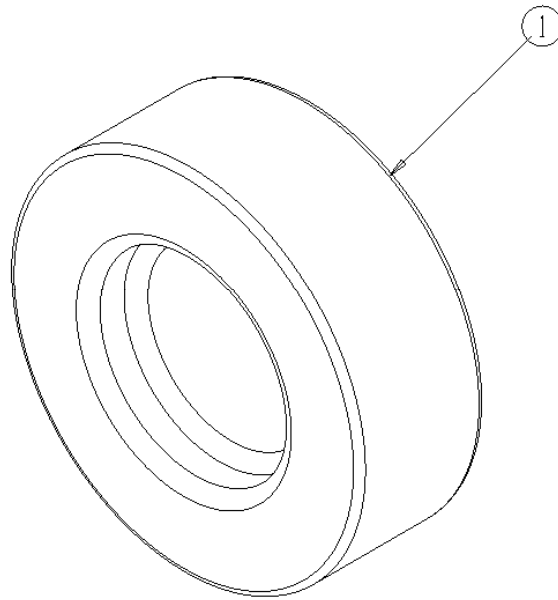
EHS750-1-1.1



EHS750-1-2 Tires & Wheels, Steel

<u>Ref</u>	<u>Part No.</u>	<u>Description</u>	<u>Parts – Assembly</u>	<u>Will Fit SN</u>	<u>Remarks</u>
1	WHM-TRL-8652358016	Mounted Trailer Tire & Wheel, 3k	4		Tire Rating, 3000 lbs.
801	WHT-937	235/80 R16 (D)	1		
802	WHL-300-1	Wheel, White Spoke, Steel, 3k	1		

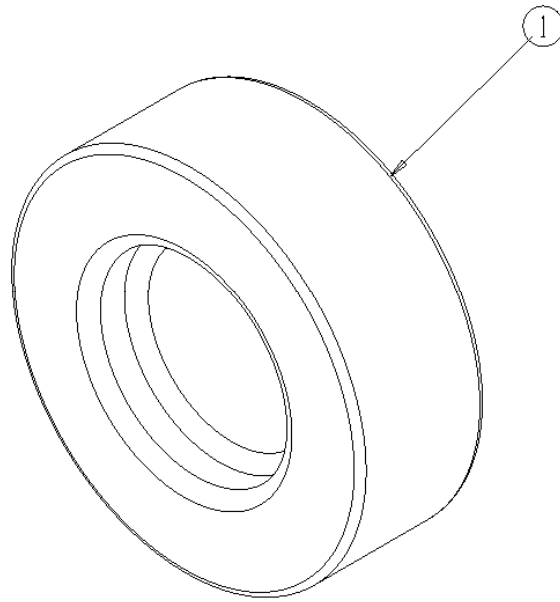
EHS750-1-2



EHS750-1-2.1 Optional: Tires & Wheels, Aluminum

<u>Ref</u>	<u>Part No.</u>	<u>Description</u>	<u>Parts – Assembly</u>	<u>Will Fit SN</u>	<u>Remarks</u>
1	WHM-TRL-25937	Mounted Trailer Tire & Wheel, Aluminum, 3k	4		
801	WHT-937	235/80 R16 (D)	1		
802	WHL-300-3A	Wheel, Aluminum Mod, 3k	1		

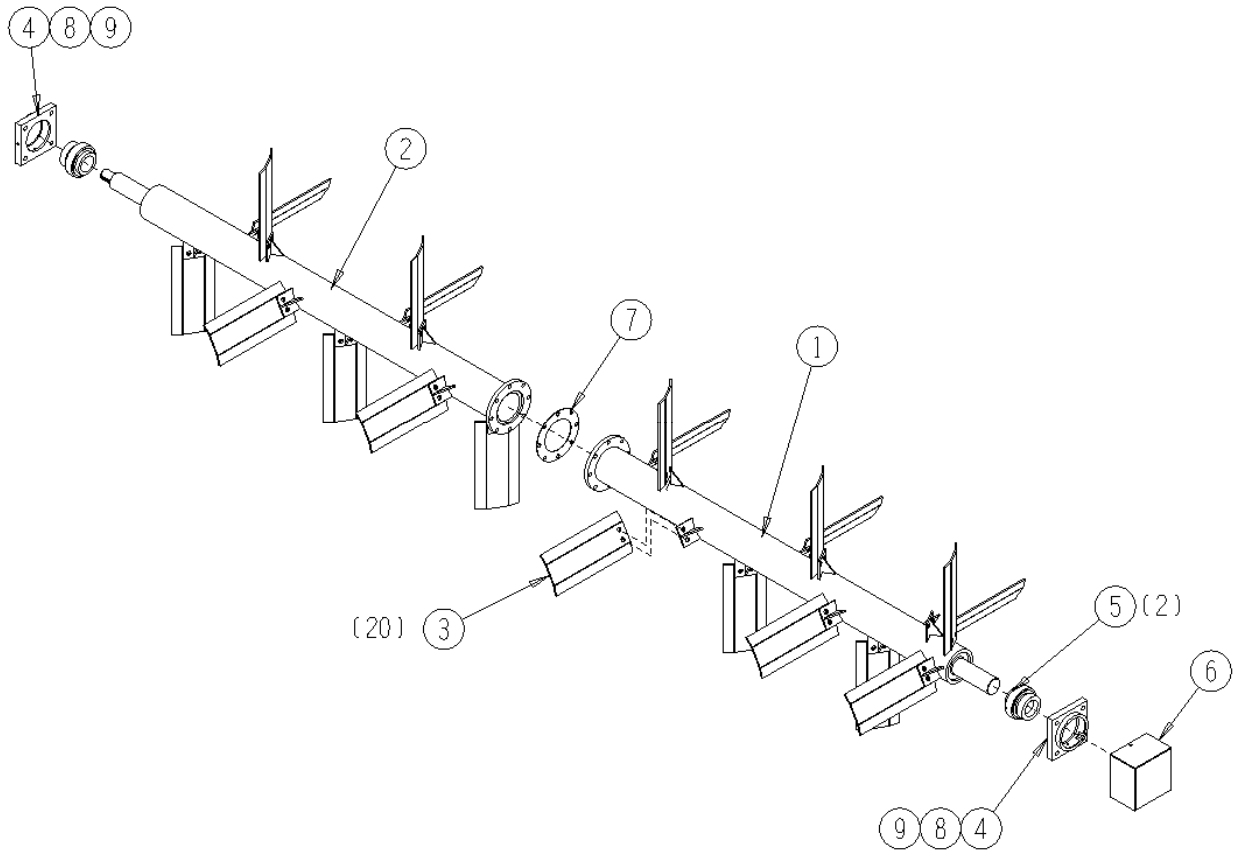
EHS750-1-2.1



EHS750-1-3 Agitator

<u>Ref</u>	<u>Part No.</u>	<u>Description</u>	<u>Parts – Assembly</u>	<u>Will Fit SN</u>	<u>Remarks</u>
1	AGT-0001	Agitator W, Seeder, Front	1		
2	AGT-0003	Agitator W, Seeder, Rear	1		
3	AGT-0002	Paddle, Agitator, Seeder	20		
4	BR-100-100F	Bearing Mounting, Shaker 1995 and previous	2	19901-19525	Used with BR-175-100 bearing upgrade
5	BR-200-100	2" Fafnir Bearing, Tri-ply	2	11001	
6	BRK-0287	Agitator Shaft Cover, Front Head, Eden Hydroseeder	1		
7	FLG-04	Gasket, 4" TTMA Flange	1		
8	GF-1428	Grease Fitting 1/4" x 28 straight	2		
9	OS-32-48-5	Oil Seal, 2" ID X 3" OD x 5/16" Width	4		
101	BL-6-150-H	3/8-16 X 1 1/2 HEX CAP G5 ZC	16		
102	BL-6-LN	3/8 UNC FIN HEX LOCK NUT NE A563 GrA ZINC	8		
103	BL-6-SW	3/8 SAE FW ZC	24		
104	BL-7-LW	7/16" Split LW, Zinc Coated	8		
105	BL-8-100-H	1/2-13 X 1 HEX CAP G5 ZC	40		
106	BL-8-150-H8	1/2x1 1/2 Grade 8 Hex Head	8		
107	BL-8-LN	1/2-13 HEX LOCK NUT NYLON INSERT ZC	40		
108	BL-8-LW	1/2 SPLIT LW ZC	8		
109	BL-8-SW	1/2 SAE FW ZC	88		

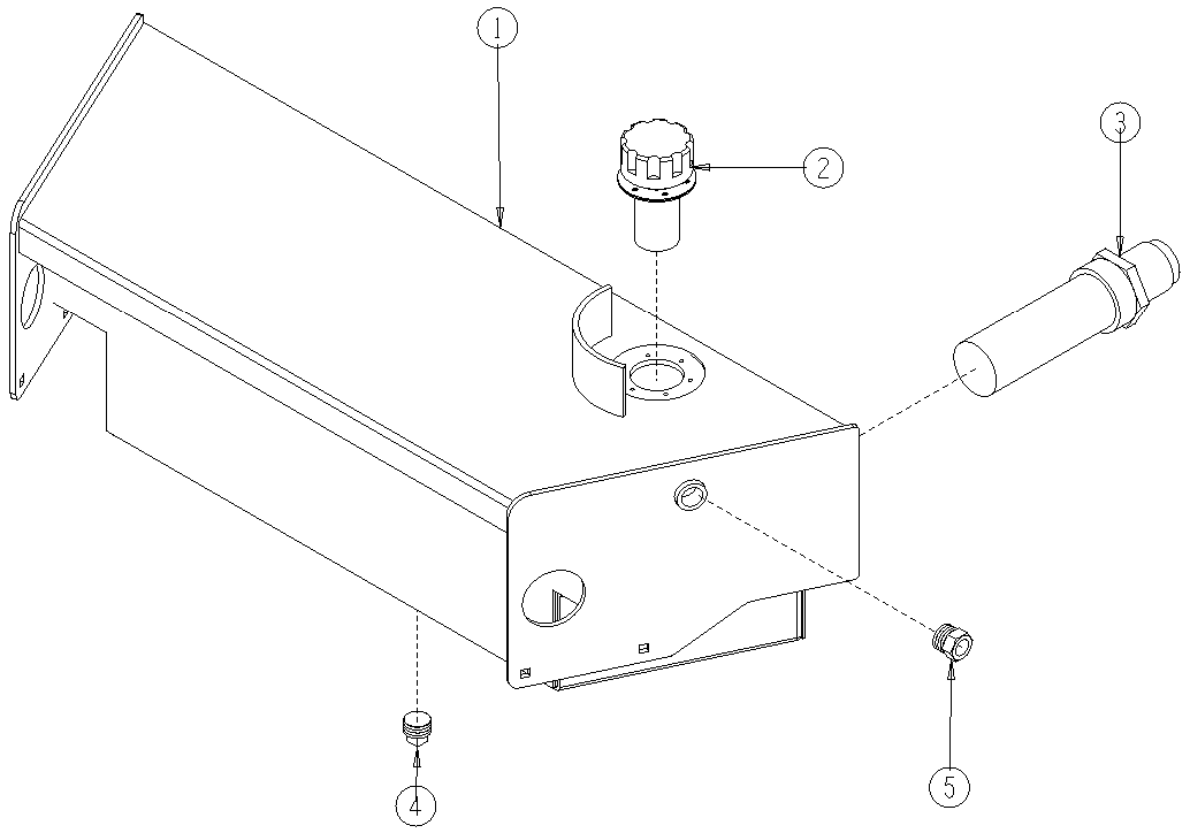
EHS750-1-3



EHS750-1-4 Oil Reservoir

<u>Ref</u>	<u>Part No.</u>	<u>Description</u>	<u>Parts – Assembly</u>	<u>Will Fit SN</u>	<u>Remarks</u>
1	TAN-18-1	Oil Reservoir, Seeder, 18 Gallon	1		
2	HA-0002	Filler-Strainer Breather Cap Assembly	1		
3	HA-1006-5	Suction Screen, SAE 3 3/8-12UN with 2" Hose Barb	1	19904-	
4	HA-1007	Hydraulic, Magnetic Drain Plug	1	11101-	
5	HA-HSG075	Hydraulic Sight Level Gauge, 3/4"npt, Bullseye	1		
101	BL-6-150-H	3/8-16 X 1 1/2 HEX CAP G5 ZC	4		
102	BL-6-FW	3/8 USS FW ZC	8		
103	BL-6-LN	3/8 UNC FIN HEX LOCK NUT NE A563 GrA ZINC	4		

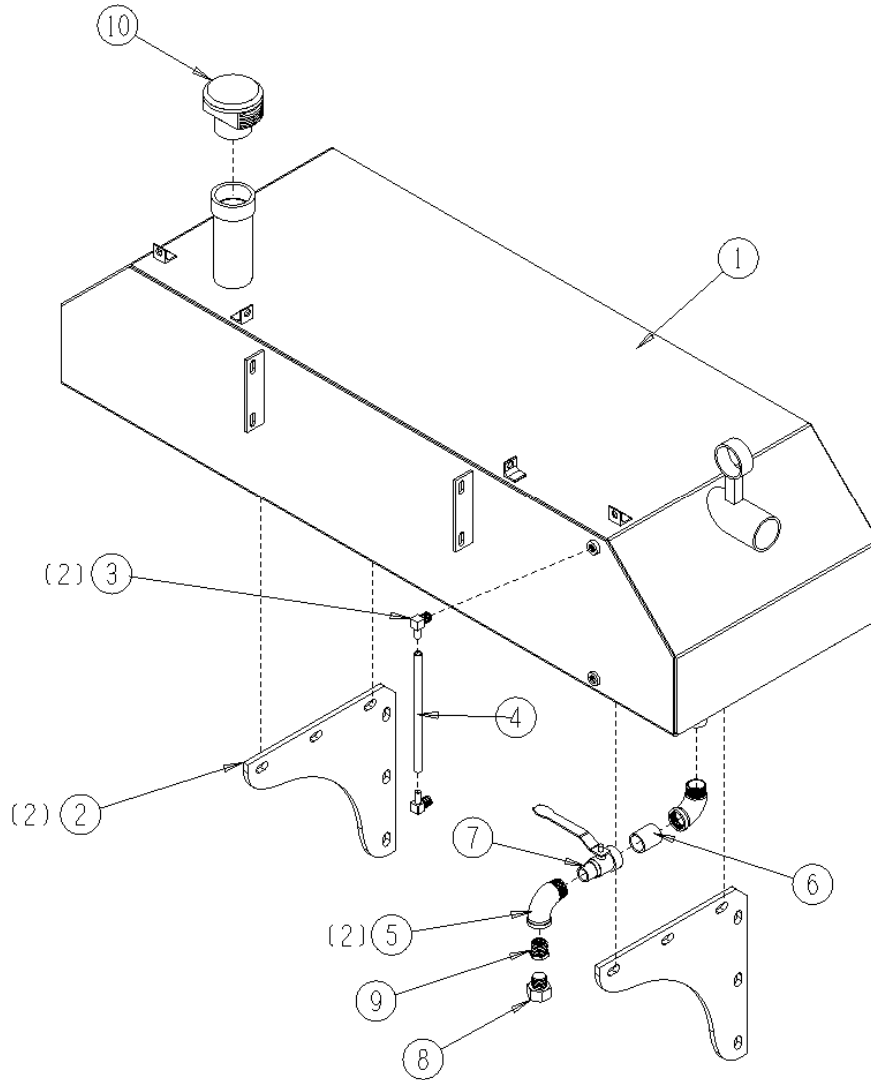
EHS750-1-4



EHS750-1-5 Fresh Water Tank

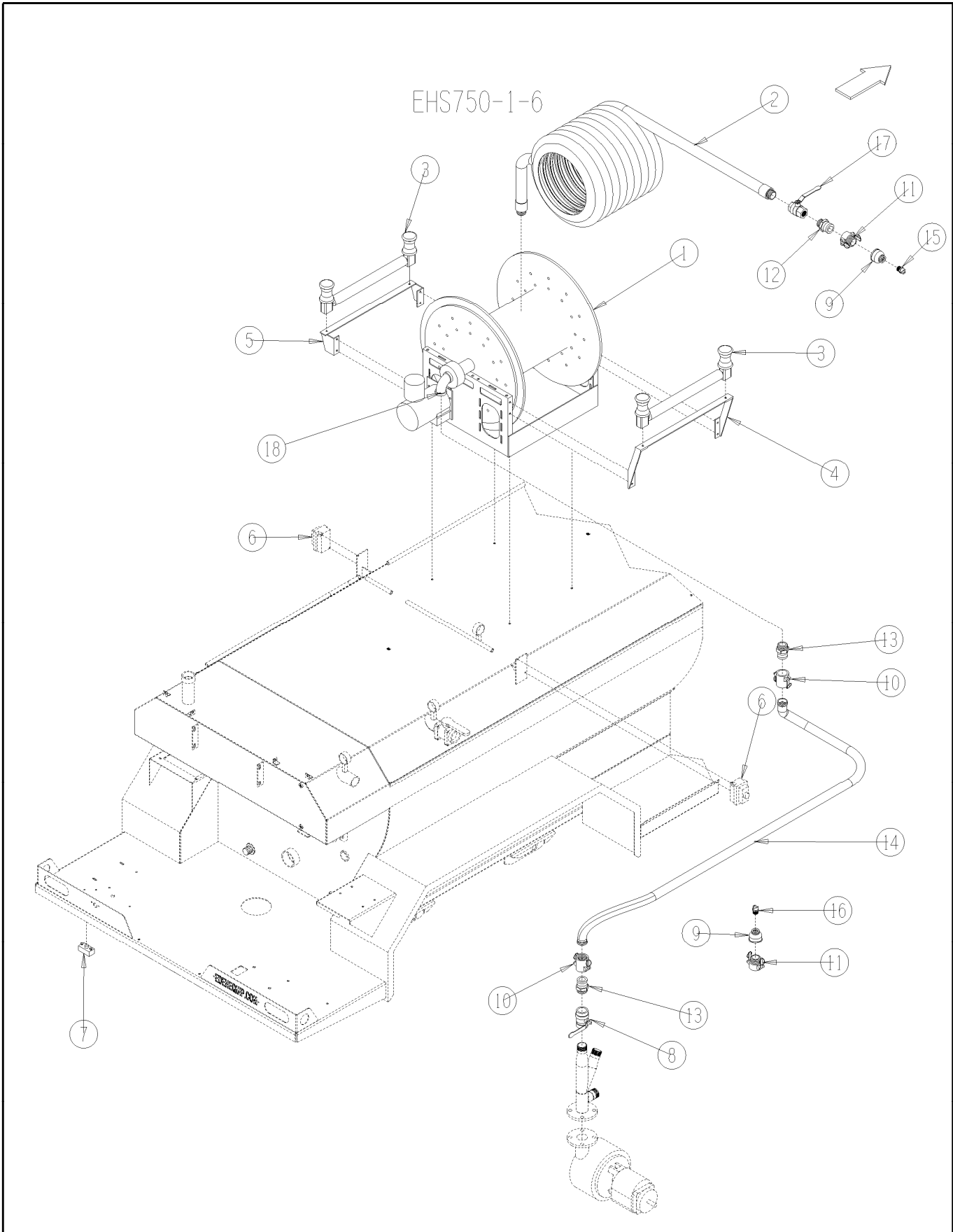
<u>Ref</u>	<u>Part No.</u>	<u>Description</u>	<u>Parts – Assembly</u>	<u>Will Fit SN</u>	<u>Remarks</u>
1	TAN-48-1	Tank, 48 Gal, Water, Seeder, Trailer Unit	1		
2	BRK-0211	Bracket, Mount, Water Tank to Slurry Tank	2		
3	A-4129-6-6	3/8" NPT90 w/3/8" Push-Loc	2		
4	HOS-038-PVC	Hose, PVC Tubing, 3/8" i.d., Clear @ Foot	1		
5	ASL-12B	3/4" Street Elbow, Brass	2		
6	AN-12-CLB	3/4" Close Nipple, Brass	1		
7	VLV-075-B	Valve, Ball, 3/4"	1		
8	AB-12G-8	Bushing, 3/4 Female Garden Hose x 1/2 MPT, Garden Hose, Swivel	1		
9	AB-12-8-B	Brass Bushing 3/4 x 1/2	1		
10	VC-2M	Vent Cap, 2" NPT, Glass Reinforced Polypropylene	1		
101	BL-8-150-C	1/2 UNC X 1 1/2 CARRIAGE BOLT GR5 ZINC	12		
102	BL-8-LW	1/2 SPLIT LW ZC	12		
103	BL-8-N	1/2-13 HEX FIN NUTS ZC	12		
104	BL-8-SW	1/2 SAE FW ZC	12		

EHS750-1-5



EHS750-1-6 Hose Reel: 1¼ x 145', Dual Guide, Dual Switch

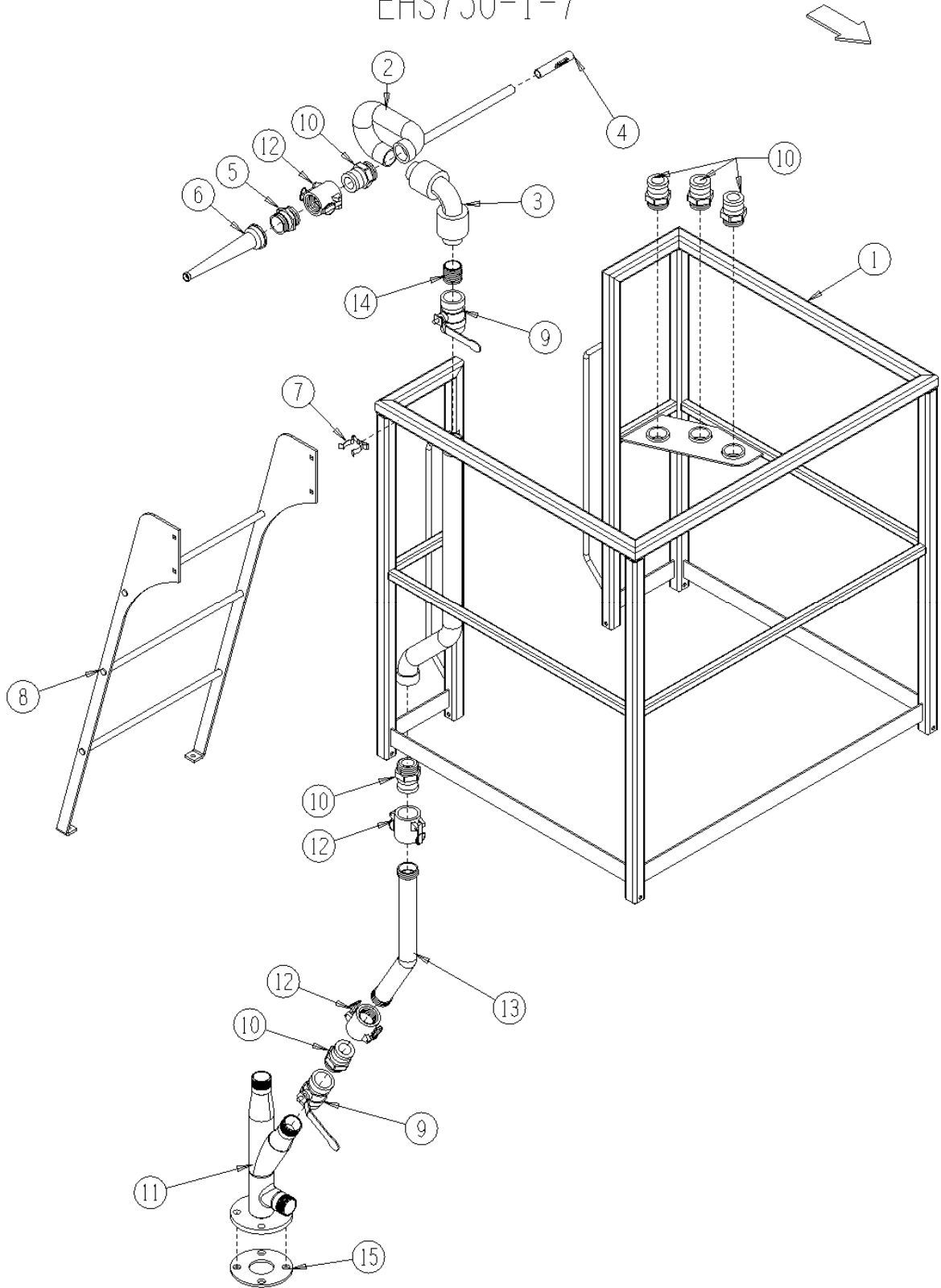
<u>Ref</u>	<u>Part No.</u>	<u>Description</u>	<u>Parts – Assembly</u>	<u>Will Fit SN</u>	<u>Remarks</u>
1	HR-3900-E-02	Reel, Hose, Fixed Base, 145'x1¼" Capacity, 12v DC Rewind	1		
2	HOSA-125-145	1 1/4" Hose Assembly, 145', Complete with Male Couplers	1		
3	HR-3900-E02-1	Roller & Spool Assembly	2		
4	HR-3900-E02-2	Top Bracket, Roller Assembly	1		
5	HR-3900-E02-3	Bottom Bracket, Roller Assembly	1		
6	HR-3900-E02SW	Switch, 12 vdc, Explosion Proof	0	EHS1001- EHS1007	
6	HR-3900-E02SW2	Switch, 12 vdc, Standard	2		
7	HR-3900-E02CB	70 Amp Circuit Breaker For Hose Reel	1	Hydroseeder	
8	VLV-150-B	Valve, Ball, 1½", Full Port	1		
9	AR-24-12	1-1/2" x ¾" Bell Reducer	2		
10	CPL-150F-150F	Camlock Coupler, 1-1/2" Female w/ 1-1/2" Female NPT	2		
11	CPL-150F-150M	Camlock Coupler, 1½" Female w/ 1½" Male NPT	2		
12	CPL-150M-125M-P	Camlock Coupler, Poly, 1½" Male w/ 1¼" Male NPT	1		
13	CPL-150M-150M	Camlock Adapter, 1½" Male w/Male NPT	2		
14	HOSA-150-101	1 1/2" Hose Assembly, 101", Complete with Male Couplers	1		
15	JET-037	Nozzle, Hydroseeder, 50 , ¾" npt	1		
16	JET-038	Nozzle, Hydroseeder, 80 , ¾" npt	1		
17	VLV-125-B	Valve, Ball, 1¼", Full Port	1		
18	ASL-24C	1½", Street Elbow, Domestic Only, Cast	1		
101	BL-6-125-8	3/8-16 X 1 1/4 HH C/S GR8 ZC	4		
102	BL-6-FW-USS8	3/8 FLAT WASHER, Large OD, G8 ZC	4		
103	BL-6-LW	3/8 SPLIT LW ZC	4		



EHS750-1-7 Turret Gun & Rack, 2 x 3 -8 Vortex Pump

<u>Ref</u>	<u>Part No.</u>	<u>Description</u>	<u>Parts – Assembly</u>	<u>Will Fit SN</u>	<u>Remarks</u>
1	RAK-0016	Rack W, Seeder, Trailer Unit, 750	1		
2	PIP-0085	Pipe W, Handle, Turret Gun, 1½" Pipe	1		
3	SJ-15060	1½" Swivel Joint, Double Plane, O-Ring, Style 60, NPT	1		
4	HG-106426	Handle Grip for Gateway Valve Handle	1		
5	AN-24-DB	1 1/2" NPT x 1 1/2" NST Double Brass Hex Nipple	1		
6	WM-N24B	1 1/2" Brass Tapered Nozzle, NST	1		
7	CLP-172244	Clip, Tool Holder, Spring Action, 1 to 1-7/8" Dia	1		
8	STP-1007	Ladder W, Seeder, Extended, Trailer Unit	1		
9	VLV-150-B	Valve, Ball, 1½", Full Port	2		
10	CPL-150M-150M	Camlock Adapter, 1½" Male w/Male NPT	6		
11	PIP-0156	Pipe W, Pump Dis w/ Turret, 2x3 -8 Vortex Pump	1		
12	CPL-150F-150F	Camlock Coupler, 1-1/2" Female w/ 1-1/2" Female NPT	3		
13	HOSA-150-18-8	1 1/2" Hose Assembly, 18.5", Complete with Male Couplers	1		
14	AN-24-CL	1 1/2" Black (Nipple Close)	1		
15	FLG-0004	Flange Gasket, Discharge, 2-3x8 Pump, 1200 Seeder	1	FL-02-1	
101	BL-6-125-8	3/8-16 X 1 1/4 HH C/S GR8 ZC	2		
102	BL-6-150-8	3/8-16 X 1 1/2 HH C/S GR8 ZC	4		
103	BL-6-225-H	3/8 UNC X 2 1/4 HH C/S BOLT GR5 ZINC	6		
104	BL-6-250-H	3/8-16 X 2 1/2 HH C/S GR5 ZC	2		
105	BL-6-LN	3/8 UNC FIN HEX LOCK NUT NE A563 GrA ZINC	12		
106	BL-6-LW	3/8 SPLIT LW ZC	2		
107	BL-6-SW	3/8 SAE FW ZC	26		

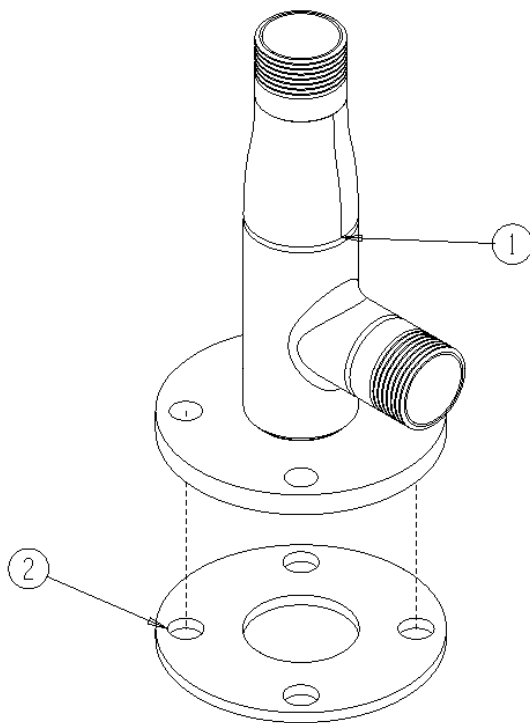
EHS750-1-7



EHS750-1-7.1 Less Turret Gun & Rack

<u>Ref</u>	<u>Part No.</u>	<u>Description</u>	<u>Parts – Assembly</u>	<u>Will Fit SN</u>	<u>Remarks</u>
1	PIP-0157	Pipe W, Pump Disch, 2x3 -8 Pump, No Turret	1		
2	FLG-0004	Flange Gasket, Discharge, 2-3x8 Pump, 1200 Seeder	1	FL-02-1	

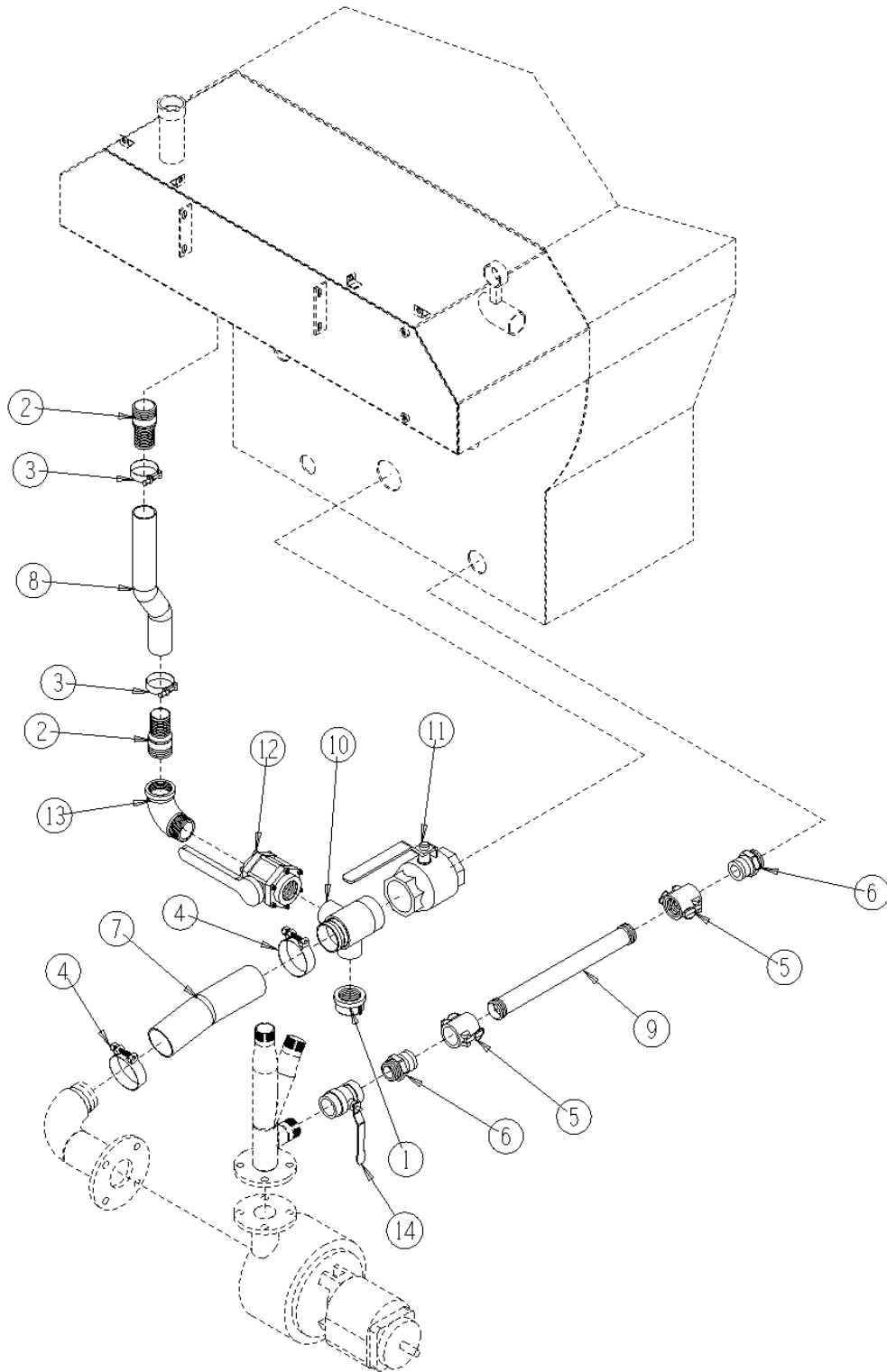
EHS750-1-7.1



EHS750-2-1 Plumbing

<u>Ref</u>	<u>Part No.</u>	<u>Description</u>	<u>Parts – Assembly</u>	<u>Will Fit SN</u>	<u>Remarks</u>
1	ACP-32	2" Black Pipe Cap	1		
2	AN-32-HS	2" NPT, Combination Nipple/Hose Shank, 2" ID Hose	2		
3	CL-238	T Bar Hose Clamp for 2" Suction Hose	2		
4	CL-375	3" Hose Clamp, Heavy Duty T-Bar, 3.375-3.75"	2		
5	CPL-150F-150F	Camlock Coupler, 1-1/2" Female w/ 1-1/2" Female NPT	2		
6	CPL-150M-150M	Camlock Adapter, 1½" Male w/Male NPT	2		
7	HOS-0008	Hose, 3"x13", Product Suction Hose to Pump	1		
8	HOS-0012	Hose, 2"x18.5", Water Tank Flush	1		
9	HOSA-150-20-0	1 1/2" Hose Assembly, 20.00", Complete with Male Couplers	1		
10	PIP-0089	Pipe Assembly, Seeder, Tank Discharge Manifold, 3"	1		
11	VLV-3B	Valve, Ball, 3", Brass, Full Port	1		1043MZ from Chandler - Only if needed.
12	VLV-2-BPBF	Valve, Ball, 2", Full Port, 4 Bolt, Polypropylene, Banjo	1		
13	ASL-32	2" Street Elbow, Domestic Only	1		
14	VLV-150-B	Valve, Ball, 1½", Full Port	1		
101	BL-10-LN	5/8-11 HEX LN NE ZC	4		
102	BL-10-SW	5/8 SAE FW ZC @	8		
103	BL-8-175-H	1/2-13 X 1 ¼ HEX CAP G5 ZC	4		
104	BL-8-SW	1/2 SAE FW ZC	4		

EHS750-2-1

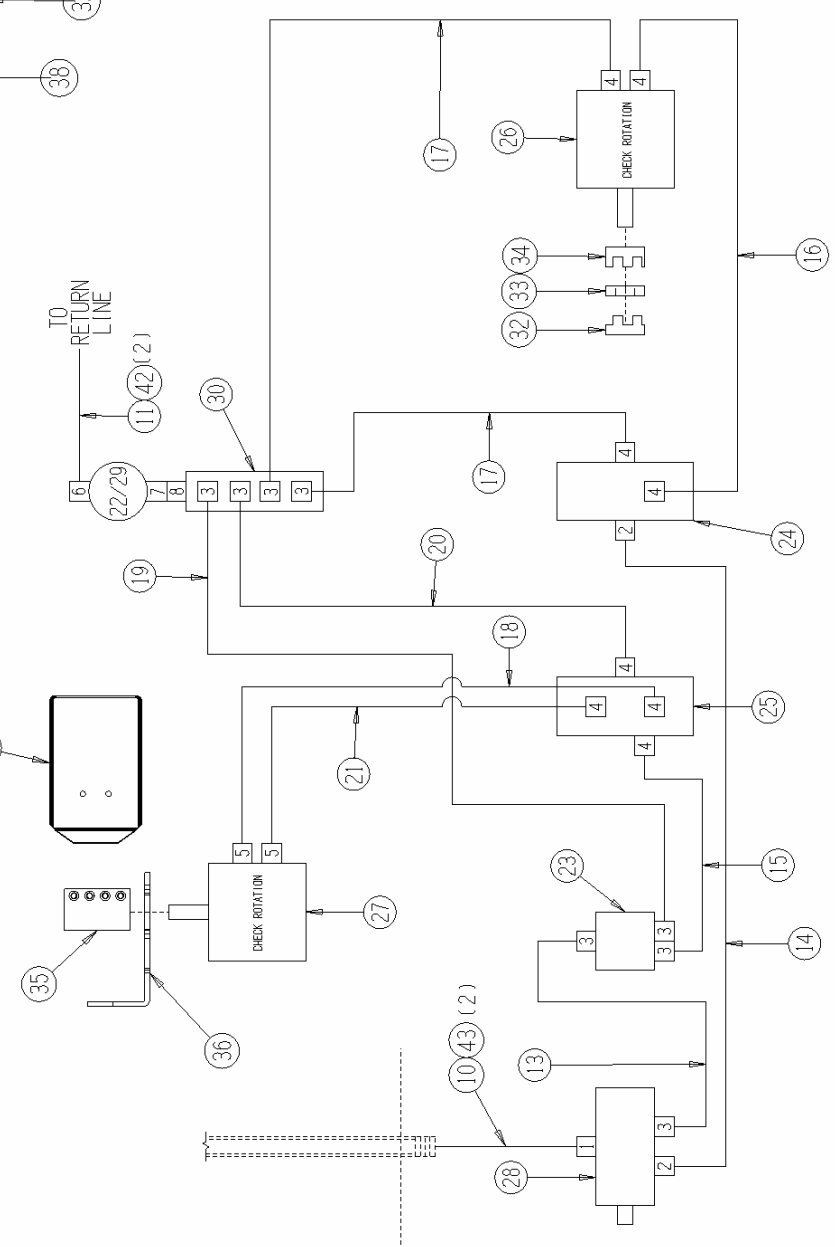
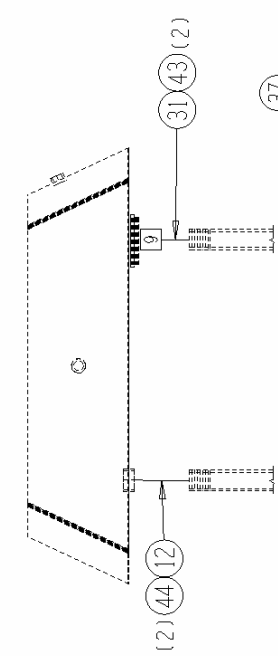
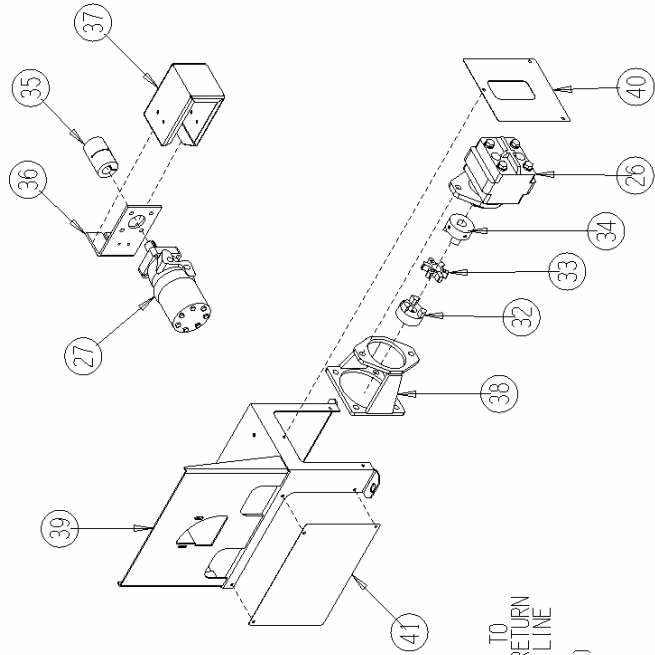


EHS750-2-2 Hydraulics, Gas Engine

<u>Ref</u>	<u>Part No.</u>	<u>Description</u>	<u>Parts – Assembly</u>	<u>Will Fit SN</u>	<u>Remarks</u>
1	A-4604-24-20	1 1/2 x 20 SAE Straight, Beaded/Male O-Ring	1		
2	A-6901-12-12	12 SAE x 3/4" FPX 90 , Forged	2		
3	A-6901-10-8	10 SAE x 1/2 FPX90 , Forged	8		
4	A-6901-12-8	12 SAE x 1/2" FPX 90 , Forged	8		
5	A-6900-10-8	10 SAE x 1/2 FPX	2		
6	A-4601-20-16	1 1/4 x 16 SAE 90 Male O-Ring Beaded Insert	1		
7	A-6901-16-16	16 SAE x 1" FPX 90 , Forged	1		
8	A-5404-16-16	Hex Nipple, 16MP x 16MP	1		
9	A-ST-20	1 1/2 NPT to 1 1/2 Hose Barb Adapter	1		
10	HOS-0004	Hose, 1 1/2"x22", Hyd. Suction to Pump	1		
11	HOS-0011	Hose, 1 1/4"x14" Hyd. Return from Filter	1		
12	HOS-0010	Hose, 2"x26" Hyd. Suction from Resv.	1		
13	H10-55-8MP-8MP	5/8 in hose 1/2MP x 1/2MP x 55 in long	1		
14	H12-53-12MP-12MP	3/4" Hose, 3/4"MP x 3/4" MP, 53"Long	1		
15	H10-16-8MP-8MP	5/8" hose 1/2MP x 1/2MP x 16" long	1		
16	H10-24-8MP-8MP	5/8 in hose 1/2MP x 1/2MP x 24 in long	1		
17	H10-38-8MP-8MP	5/8" hose 1/2MP x 1/2MP x 38" long	2	20095001-	
18	H10-32-8MP-8MP	5/8Hose x 1/2MP x 1/2MP x 32" Long	1		
19	H10-28-8MP-8MP	5/8" hose 1/2MP x 1/2MP x 28" long	1		
20	H10-26-8MP-8MP	5/8 in hose 1/2MP x 1/2MP x 26 in long	1		
21	H10-29-8MP-8MP	5/8 in hose 1/2MP x 1/2MP x 29 in long	1		
22	HA-1029	Hydraulic Fluid Filter, 11"	1		
23	HV-FL16	Flow control valve 16GPM	1		
24	HV-BA17	Motor Valve	1		
25	HV-1044	Solenoid Operated Directional Valve	1		
26	HM-712C	Hydraulic Motor	1	19101-	RP: HM-0381, HM-1801, HM-2585, HM-2686, HM-412B
27	HM-103-TC	TCI Motor	1		Seal Kit # TCI-SKHRQ
28	HP-124-100-050	Hydraulic Pump 124 x 1" and 1/2"	1		P124B085AHZA10-55TFZA05-1 Unit with 7/8 keyed shaft used from SN EHS-1001T - EHS-1004S
29	HA-130	Hydraulic Oil Filter Base	1		
30	BRK-0300	Manifold	1		
31	HOS-0005	Hose, 1 1/2"x26", Hyd. Return to Resv.	1		
32	CPJ-7080	Coupler, 7/8 bore with 3/16" KW & (2)SS	1		

33	CPJ-6055	Coupler, Urethane Spider	1	19101	For use with CPJ-6052 and CPJ-6051 Sub CPS-6053
34	CPJ-7081	Coupler, Motor side 7/8 bore x 1/4 key	1	1910119320	Sub 194-7081 Assembly
35	CPS-6060	Steel Coupler (offcenter) 1 1/4" x 1"	1		
36	193-806	Mount motor	1		
37	193-806C	Motor Guard	1	19301-	
38	BRK-0231	Bracket W, Hyd. Motor Mount, Seeder Pump/SAE B-2 Bolt	1		
39	BRK-0232	Bracket, Cover/Hyd/ Component Mount, Hydroseeder	1		
40	BRK-0351	Cover, Bracket, Hyd. Components Mount	1		
41	BRK-0352	Cover, Bracket, Hyd. Component Mount	1		
42	CL-125	1 1/4"Hose Clamp, Heavy Duty T-Bar, 1.57 - 1.69"	2		40-43 mm
43	CL-200	1½" Hose Clamp, Heavy Duty T-Bar, 1.89-2.00"	4		
44	CL-238	T Bar Hose Clamp for 2" Suction Hose	2		
101	BL-5-100-H	5/16 UNC X 1 HH C/S BOLT GR5 ZINC	2		
102	BL-5-FW-8	5/16 USS FLAT WASHER GR8 YEL ZINC	2		
103	BL-5-LW	5/16 SPLIT LW ZC	2		
104	BL-6-125-H	3/8-16 X 1 1/4 HHCS G5 ZC	8		
105	BL-6-FWSS	3/8 USS FW SS	8		
106	BL-6-LN	3/8 UNC FIN HEX LOCK NUT NE A563 GrA ZINC	8		
107	BL-6-SW	3/8 SAE FW ZC	8		

EHS750-2-2



EHS750-2-3 Electrical, Trailer

<u>Ref</u>	<u>Part No.</u>	<u>Description</u>	<u>Parts – Assembly</u>	<u>Will Fit SN</u>	<u>Remarks</u>
0	BRK-0288	Battery Hold Down Bracket, Hydroseeder	1		
0	EL-1210	Plug, Mkr, 6" long, #6 Grnd Term & strip, TL#94902	4		
0	EL-1218	Grommet, Mkr, TL10, TL#10700	4		
0	EL-1219	Bracket, License Plate, TL#42722	1		
0	EL-1226	Reflector, Rectangle, Yellow, 2x3.5, Adhesive	2		
0	EL-1227	Reflector, Rectangle, Red, 2x3.5, Adhesive	4		
0	EL-1246	Light, Mkr, L.E.D., TL10, Red, 2½"	2		
0	EL-1247	Light, Mkr, L.E.D., TL10, Yellow, 2½"	2		
0	EL-1254	Light, License Lamp Kit, L.ED., Grey	1		
0	EL-1257	Light, STT, L.E.D., TL60, Red, Lamp/Grommet Kit	2		
0	EL-14D0	Switch Boot	2		
0	ELC-14-R	14 Gauge Wire, Red	8		
0	ELC-218	18 Gauge-2 Conductor @ Foot	16		
0	ELC-418	18 Gauge-4 Conductor @ Foot	24		
0	ELC-4-B	4 Gauge Black Battery Cable @ Foot	4		
0	ELC-4-R	4 Gauge Red Battery Cable @ Foot	16		
0	ELE-15-964	Junction Box, 4x8x3.5deep, plastic, w/knockouts & plugs	1	19426	
0	ELL-25-0	1/4" Wire Loom @ft	10		
0	ELL-375	3/8" Wire Loom @ft	4		
0	ELS-3MMLB	Three Position Switch (on)-off-(on) (15 Amp)	1		
0	ELS-3T	Reversing valve switch (50 Amp)	1	HV-1045K	
0	ELT-30511	Female Push On 18-22 ga	2		
0	ELT-30712	Push on Male 18-22	2		
0	ELT-30753	Snap Spade Terminal #6 x 22-18 Red	3		
0	ELT-31004	Terminal Ring, 1/4", 16-14 Gauge, Non-insulated	3		
0	ELT-31703	Terminal Ring, 16-14 Ga.#10 Blue Insulated Nylon	1		
0	ELT-31712	Push On Male 14-16 ga	4	HV-1045K	
0	ELT-31713	Push On Female Terminal 14-16 ga.	4	HV-1045K	
0	ELT-31755	Snap Spade Terminal #10 x 14-16ga	3	HV-1045K	
0	ELT-34002	Terminal Ring, 5/16", 6 Gauge	14		
0	ELT-52565	Ring Terminal 5/16 x 14-16ga	1	HV-1045K	
0	ENGA-01	Battery, 235 c.c.amps, 12v, For Honda Engine	1		
0	TRL-B241	Breakaway Switch w/ Cable Only, New Style	1		

0	WT-11	Wire Tie 11"	7
0	WT-7	Wire Tie 7"	30

EHS750-2-3.1 Electrical, Skid

<u>Ref</u>	<u>Part No.</u>	<u>Description</u>	<u>Parts – Assembly</u>	<u>Will Fit SN</u>	<u>Remarks</u>
0	BRK-0288	Battery Hold Down Bracket, Hydroseeder	1		
0	ENGA-01	Battery, 235 c.c.amps, 12v, For Honda Engine	1		
1	ELT-31703	Terminal Ring, 16-14 Ga.#10 Blue Insulated Nylon	1		
2	ELT-31712	Push On Male 14-16 ga	4	HV-1045K	
3	ELT-31713	Push On Female Terminal 14-16 ga.	4	HV-1045K	
4	ELT-30712	Push on Male 18-22	2		
5	ELT-30511	Female Push On 18-22 ga	2		
6	ELT-34002	Terminal Ring, 5/16",6 Gauge	14		
7	ELT-52565	Ring Terminal 5/16 x 14-16ga	1	HV-1045K	
8	ELT-31004	Terminal Ring, 1/4",16-14 Gauge,Non-insulated	3		
9	ELT-31755	Snap Spade Terminal #10 x 14-16ga	3	HV-1045K	
10	ELT-30753	Snap Spade Terminal #6 x 22-18 Red	3		
11	ELC-14-R	14 Gauge Wire, Red	8		
12	ELC-218	18 Gauge-2 Conductor @ Foot	16		
13	ELC-418	18 Gauge-4 Conductor @ Foot	24		
14	ELC-4-R	4 Gauge Red Battery Cable @ Foot	16		
15	ELC-4-B	4 Gauge Black Battery Cable @ Foot	4		
16	ELS-3MMLB	Three Position Switch (on)-off-(on) (15 Amp)	1		
17	ELS-3T	Reversing valve switch (50 Amp)	1	HV-1045K	
18	ELL-375	3/8" Wire Loom @ft	4		
19	ELL-25-0	1/4" Wire Loom @ft	10		
20	WT-7	Wire Tie 7"	30		
21	WT-11	Wire Tie 11"	7		
22	EL-14D0	Switch Boot	2		

EHS750-2-4 Engine Drive: 25hp Gas

<u>Ref</u>	<u>Part No.</u>	<u>Description</u>	<u>Parts – Assembly</u>	<u>Will Fit SN</u>	<u>Remarks</u>
1	ENG-REH72	Robin Engine 25HP	1		
2	ENG-REHCP	Control Panel, Robin Engine	1		
3	ENG-REH001	Muffler, Rear Top Mount w/ Side Discharge	1		

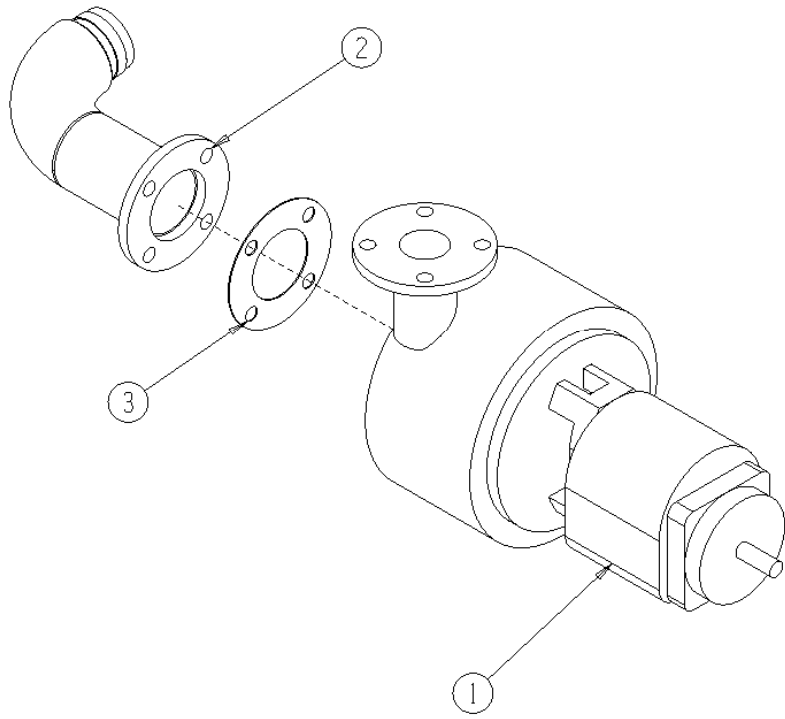
EHS750-2-4.1 Engine Drive, Diesel

<u>Ref</u>	<u>Part No.</u>	<u>Description</u>	<u>Parts – Assembly</u>	<u>Will Fit SN</u>	<u>Remarks</u>
0	ENG-11-ES-SP	Engine, 33.5hp Kubota Diesel, V1505, Electric Start, Control Panel	1		

EHS750-2-5 Product Pump: 2 x 3 -8 Vortex

<u>Ref</u>	<u>Part No.</u>	<u>Description</u>	<u>Parts – Assembly</u>	<u>Will Fit SN</u>	<u>Remarks</u>
1	PMP-2196-01	Product Pump, 2x3 -8, PR-Mod	1		
2	PIP-0155	Pipe W, 2x3 -8 Vortex Pump, Intake	1		
3	FLG-03-4	Flange Gasket, Inlet, Hydroseeder, 2-3x8 Pump, Vortex	1	FL-03-10	

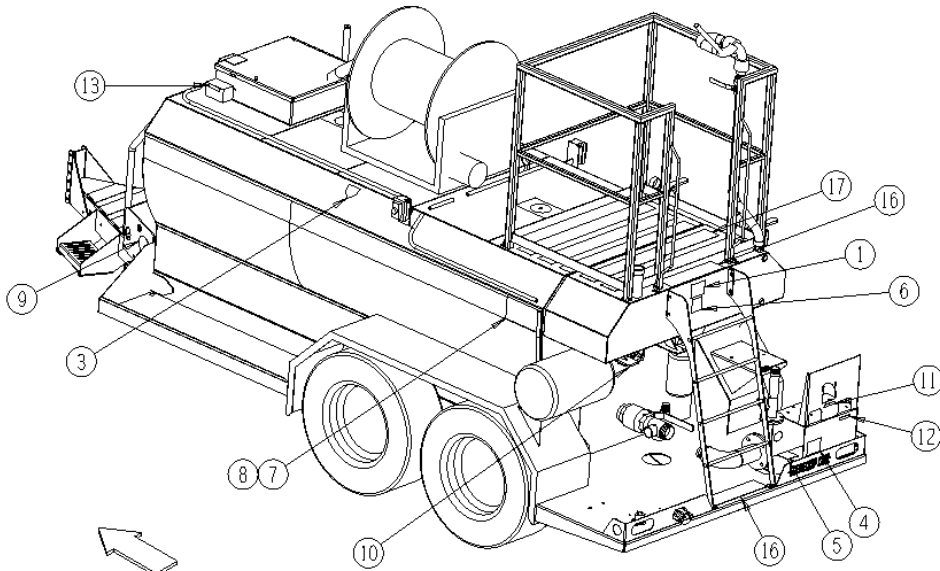
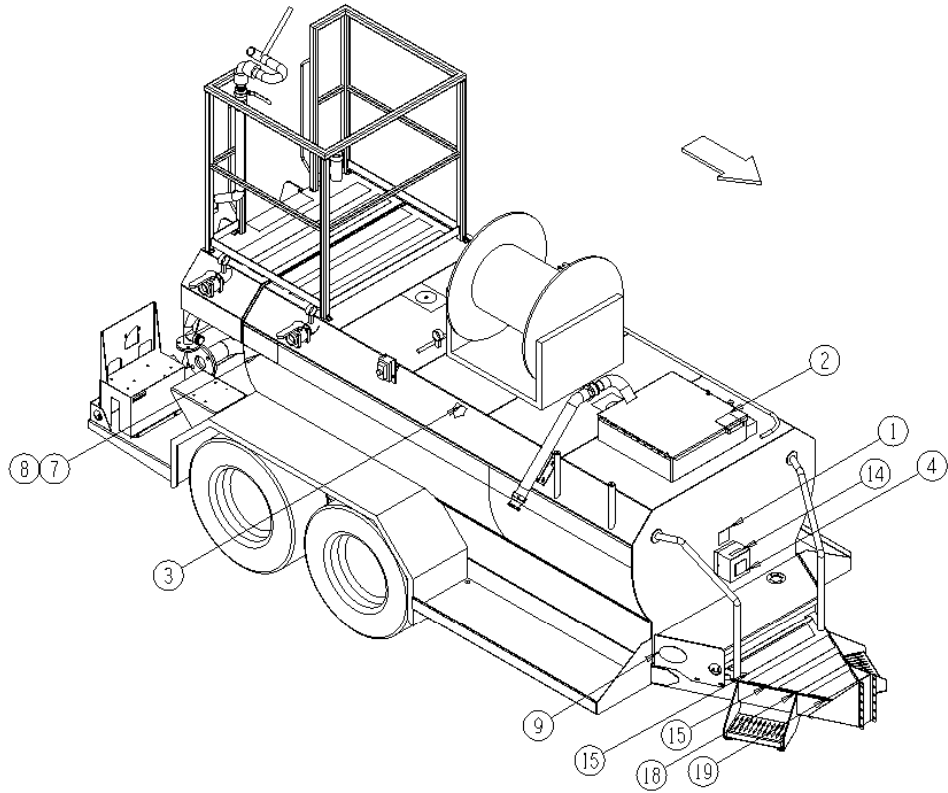
EHS750-2-5



EHS750-3-1 Decals, Trailer

<u>Ref</u>	<u>Part No.</u>	<u>Description</u>	<u>Parts – Assembly</u>	<u>Will Fit SN</u>	<u>Remarks</u>
1	DC-1180	Serious Injur/Death Decal, Read Manual	2		
2	DC-5801	Danger Decal, Rotating Components	1		
3	DC-1174	Decal, Danger Keep Hands and Feet Away	2		
4	DC-0025	Decal, Danger, Entanglement In Rotating Drive	2		
5	DC-0029	Decal, Danger, Guard Missing Do Not Operate	1		
6	DC-0023	Decal, Caution, Keep All Shields In Place	1		
7	DC-0059	Decal, 5.875" x 22", Eden Equipment Built by PR	2		
8	DC-0060	Decal, Model 750, Eden Equipment	2		
9	DC-0061	Decal, 3.875" x 7", Eden Equipment Oval	2		
10	DC-1176	Decal, Danger-Hand Chain Sprockets	1		
11	DC-0063	Decal, "Agitation Speed", 1/2" Label, Seeder	1		
12	DC-0064	Decal, "Pump Engagement", 1/2" Label, Seeder	1		
13	DC-0065	Decal, "Agitation Reverser", 1/2" Label, Seeder	1		
14	DC-0066	Decal, "Do Not Step", 3/4" Label, Seeder	1		
15	DC-0067	Anti-Skid Tape, Front, Seeder	2		
16	DC-0068	Anti-Skid Tape, Seeder	2		
17	DC-0070	Anti-Skid Tape, Top Decking, Seeder	5		
18	DC-0071	Anti-Skid Tape, Front, Seeder	1		
19	DC-0072	Anti-Skid Tape, Front, Seeder	1		

EHS750-3-1



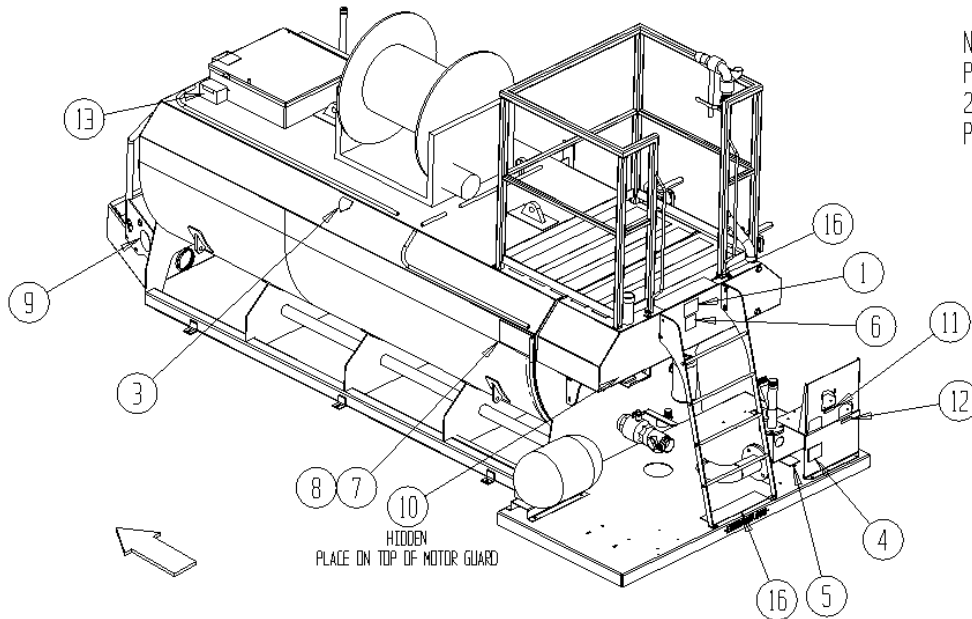
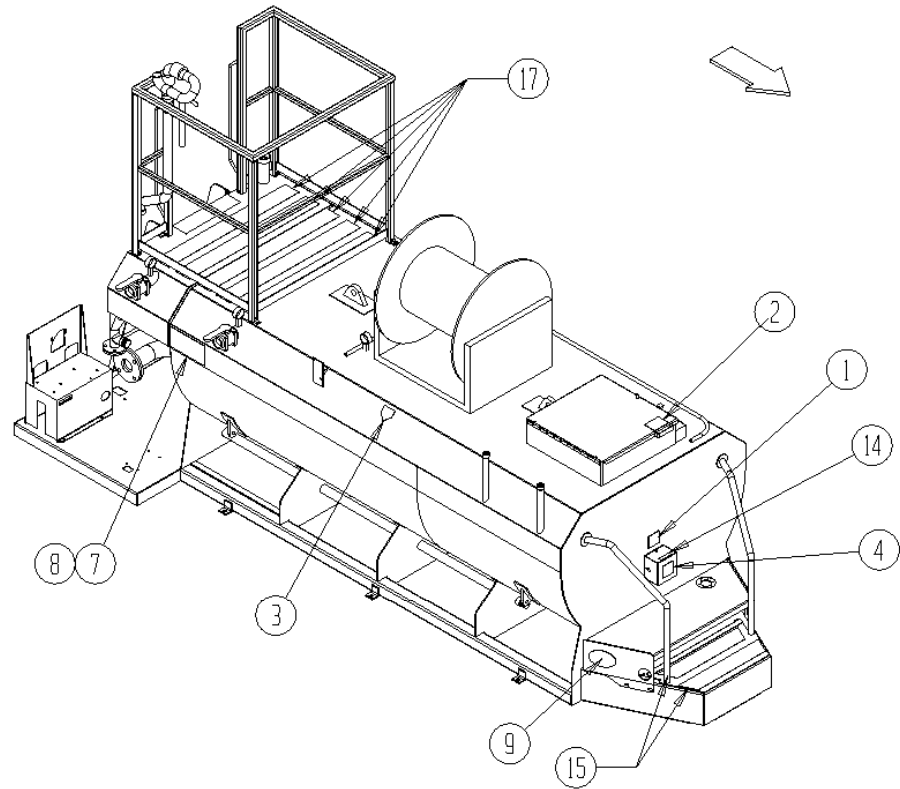
NOTE:
PLACE ANTI-SKID TAPE
2" APART WHEN MULTIPLE
PIECES ARE USED TOGETHER, TYP.

HIDDEN, PLACE ON
TOP OF MOTOR GUARD

EHS750-3-1.1 Decals, Skid

<u>Ref</u>	<u>Part No.</u>	<u>Description</u>	<u>Parts – Assembly</u>	<u>Will Fit SN</u>	<u>Remarks</u>
1	DC-1180	Serious Injur/Death Decal, Read Manual	2		
2	DC-5801	Danger Decal, Rotating Components	1		
3	DC-1174	Decal, Danger Keep Hands and Feet Away	2		
4	DC-0025	Decal, Danger, Entanglement In Rotating Drive	2		
5	DC-0029	Decal, Danger, Guard Missing Do Not Operate	1		
6	DC-0023	Decal, Caution, Keep All Shields In Place	1		
7	DC-0059	Decal, 5.875" x 22", Eden Equipment Built by PR	2		
8	DC-0060	Decal, Model 750, Eden Equipment	2		
9	DC-0061	Decal, 3.875" x 7", Eden Equipment Oval	2		
10	DC-1176	Decal, Danger-Hand Chain Sprockets	1		
11	DC-0063	Decal, "Agitation Speed", 1/2" Label, Seeder	1		
12	DC-0064	Decal, "Pump Engagement", 1/2" Label, Seeder	1		
13	DC-0065	Decal, "Agitation Reverser", 1/2" Label, Seeder	1		
14	DC-0066	Decal, "Do Not Step", 3/4" Label, Seeder	1		
15	DC-0067	Anti-Skid Tape, Front, Seeder	2		
16	DC-0068	Anti-Skid Tape, Seeder	2		
17	DC-0070	Anti-Skid Tape, Top Decking, Seeder	5		

EHS750-3-1.1

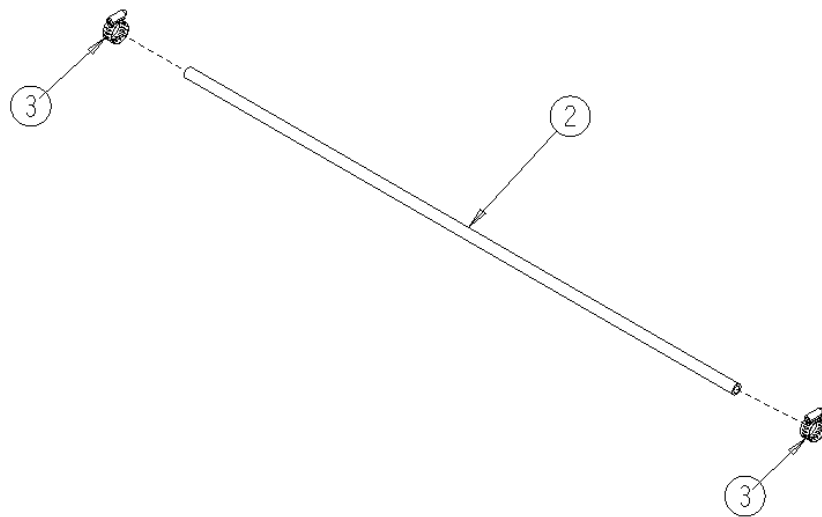
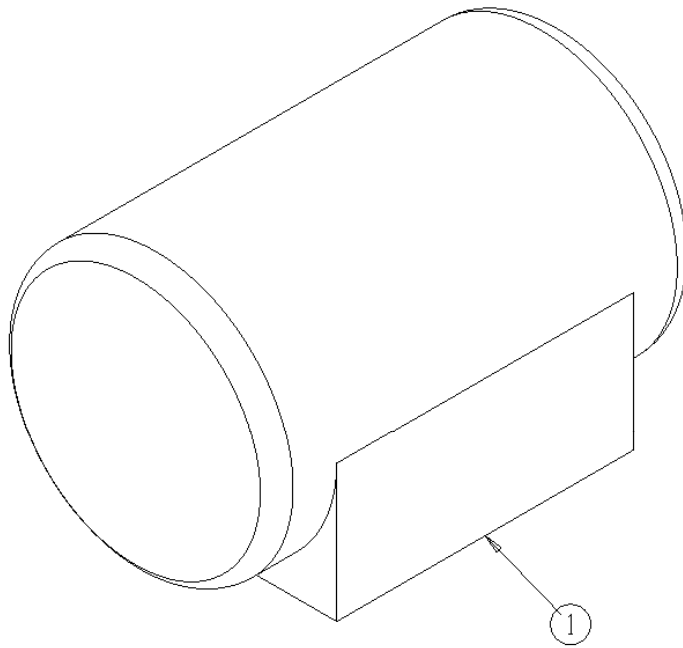


NOTE:
PLACE ANTI-SKID TAPE
2" APART WHEN MULTIPLE
PIECES ARE USED TOGETHER, TYP.

EHS750-3-2 Fuel Tank: 8 Gal. Gas, Trailer

<u>Ref</u>	<u>Part No.</u>	<u>Description</u>	<u>Parts – Assembly</u>	<u>Will Fit SN</u>	<u>Remarks</u>
1	TAN-8-1	Tank, 8.25 Gal, Round Fuel Tank, Poly	1		
2	HOS-025-F	1/4" I.D., Fuel Hose @ ft.	2		
3	CL-506	5/16" Band Width Worm Gear Clamp, Clamping Range 5/16 - 7/8" SS	2		
101	BL-4-150-H	1/4-20 X 1 1/2 HEX CAP G5 ZC	4		
102	BL-4-FW	1/4 USS FW ZC	4		
103	BL-4-LW	1/4 SPLIT LW ZC	4		
104	BL-6-100-H	3/8 UNC X 1 HH C/S BOLT GR5 ZINC	4		
105	BL-6-LN	3/8 UNC FIN HEX LOCK NUT NE A563 GrA ZINC	4		
106	BL-6-SW	3/8 SAE FW ZC	8		

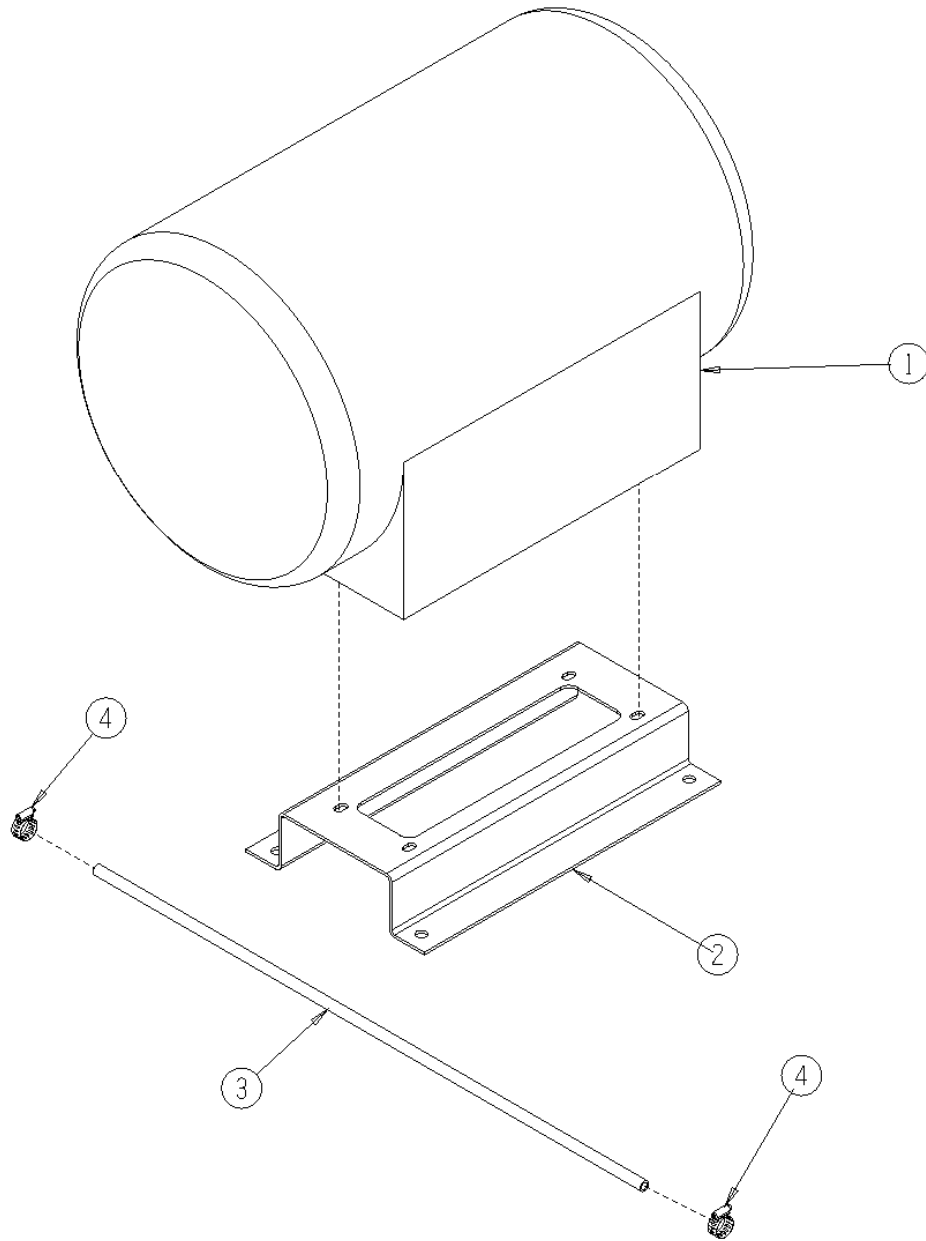
EHS750-3-2



EHS750-3-2.1 Fuel Tank: 8 Gal. Gas, Skid

<u>Ref</u>	<u>Part No.</u>	<u>Description</u>	<u>Parts – Assembly</u>	<u>Will Fit SN</u>	<u>Remarks</u>
1	TAN-8-1	Tank, 8.25 Gal, Round Fuel Tank, Poly	1		
2	BRK-0286	Bracket, Fuel Tank, Skid Seeder	1		
3	HOS-025-F	1/4" I.D., Fuel Hose @ ft.	2		
4	CL-506	5/16" Band Width Worm Gear Clamp, Clamping Range 5/16 - 7/8" SS	2		
101	BL-4-150-H	1/4-20 X 1 1/2 HEX CAP G5 ZC	4		
102	BL-4-FW	1/4 USS FW ZC	4		
103	BL-4-LW	1/4 SPLIT LW ZC	4		
104	BL-6-100-H	3/8 UNC X 1 HH C/S BOLT GR5 ZINC	4		
105	BL-6-LN	3/8 UNC FIN HEX LOCK NUT NE A563 GrA ZINC	4		
106	BL-6-SW	3/8 SAE FW ZC	8		

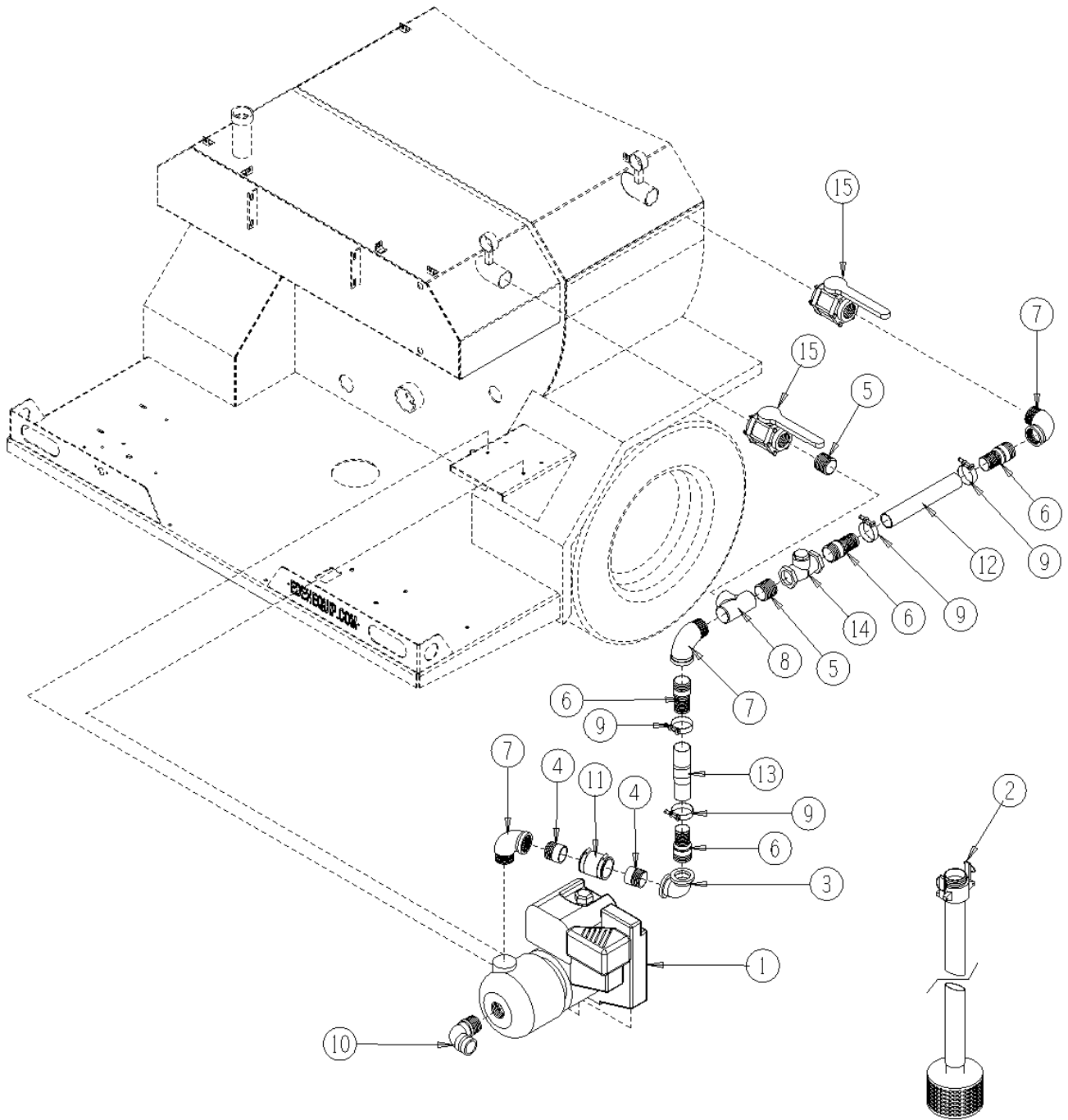
EHS750-3-2.1



EHS750-3-3 Water Fill Pump, Trailer

<u>Ref</u>	<u>Part No.</u>	<u>Description</u>	<u>Parts – Assembly</u>	<u>Will Fit SN</u>	<u>Remarks</u>
1	ENG-14	Engine, Water Pump, 5.5hp, 2"	1		
2	HOSA-0017	2" Fill Hose, 25' w/ Camlock Fittings & Strainer	1		
3	AL-32	2" NPT, Black Elbow	1		
4	AN-32-64-5	2" Half Nipple, 2" Long After Cut	2		
5	AN-32-CL	2" Close Fit Nipple	2		
6	AN-32-HS	2" NPT, Combination Nipple/Hose Shank, 2" ID Hose	4		
7	ASL-32	2" Street Elbow, Domestic Only	3		
8	AT-32-32-32	2 x 2 x 2 Black Tee	1		
9	CL-225	2 1/4" T-Bolt Clamp	4		
10	CPL-2M-2M-LPY	Camlock Elbow, 2" Male w/ Male NPT, Poly	1		
11	CPL-F-200	Coupling, Flexible, Pipe Size 2" to 2", Pipe Connector	1		
12	HOS-0007	Hose, 2"x12.5" Fill Line, 2nd	1		
13	HOS-0009	Hose, 2"x8" Fill Line, 1st, Trailer Unit	1		
14	HV-CKV-200S	2" Swing Check Valve	1		
15	VLV-2-BPBF	Valve, Ball, 2", Full Port, 4 Bolt, Polypropylene, Banjo	2		
16	OIL-SAE30-D	SAE-30 Detergent Oil	1		

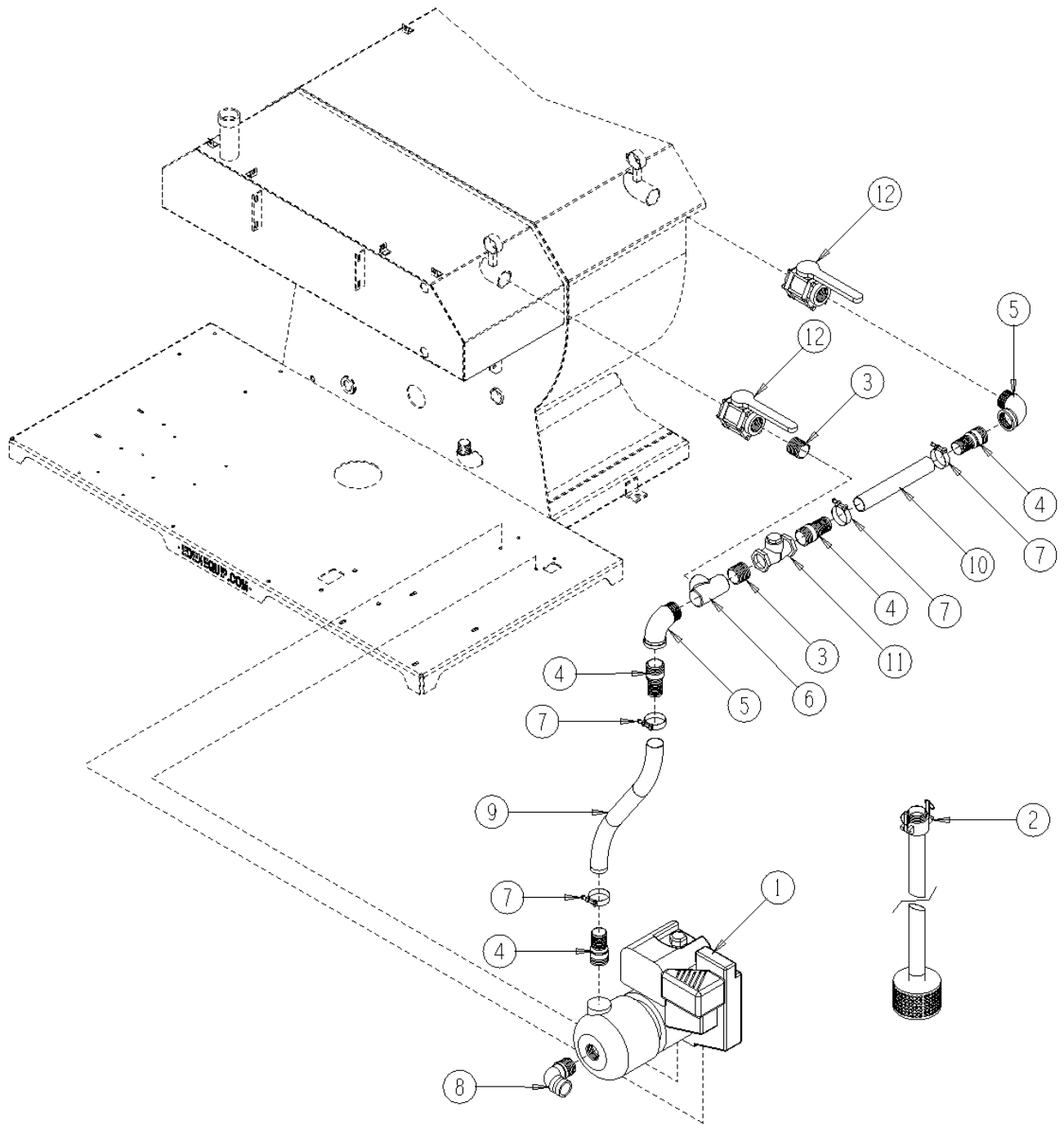
EHS750-3-3



EHS750-3-3.1 Water Fill Pump, Skid

<u>Ref</u>	<u>Part No.</u>	<u>Description</u>	<u>Parts – Assembly</u>	<u>Will Fit SN</u>	<u>Remarks</u>
1	ENG-14	Engine, Water Pump, 5.5hp, 2"	1		
2	HOSA-0017	2" Fill Hose, 25' w/ Camlock Fittings & Strainer	1		
3	AN-32-CL	2" Close Fit Nipple	2		
4	AN-32-HS	2" NPT, Combination Nipple/Hose Shank, 2" ID Hose	4		
5	ASL-32	2" Street Elbow, Domestic Only	2		
6	AT-32-32-32	2 x 2 x 2 Black Tee	1		
7	CL-225	2 1/4" T-Bolt Clamp	4		
8	CPL-2M-2M-LPY	Camlock Elbow, 2" Male w/ Male NPT, Poly	1		
9	HOS-0006	Hose, 2"x28.5", Fill Line, 1st, Skid	1		
10	HOS-0007	Hose, 2"x12.5" Fill Line, 2nd	1		
11	HV-CKV-200S	2" Swing Check Valve	1		
12	VLV-2-BPBF	Valve, Ball, 2", Full Port, 4 Bolt, Polypropylene, Banjo	2		
13	OIL-SAE30-D	SAE-30 Detergent Oil	1		

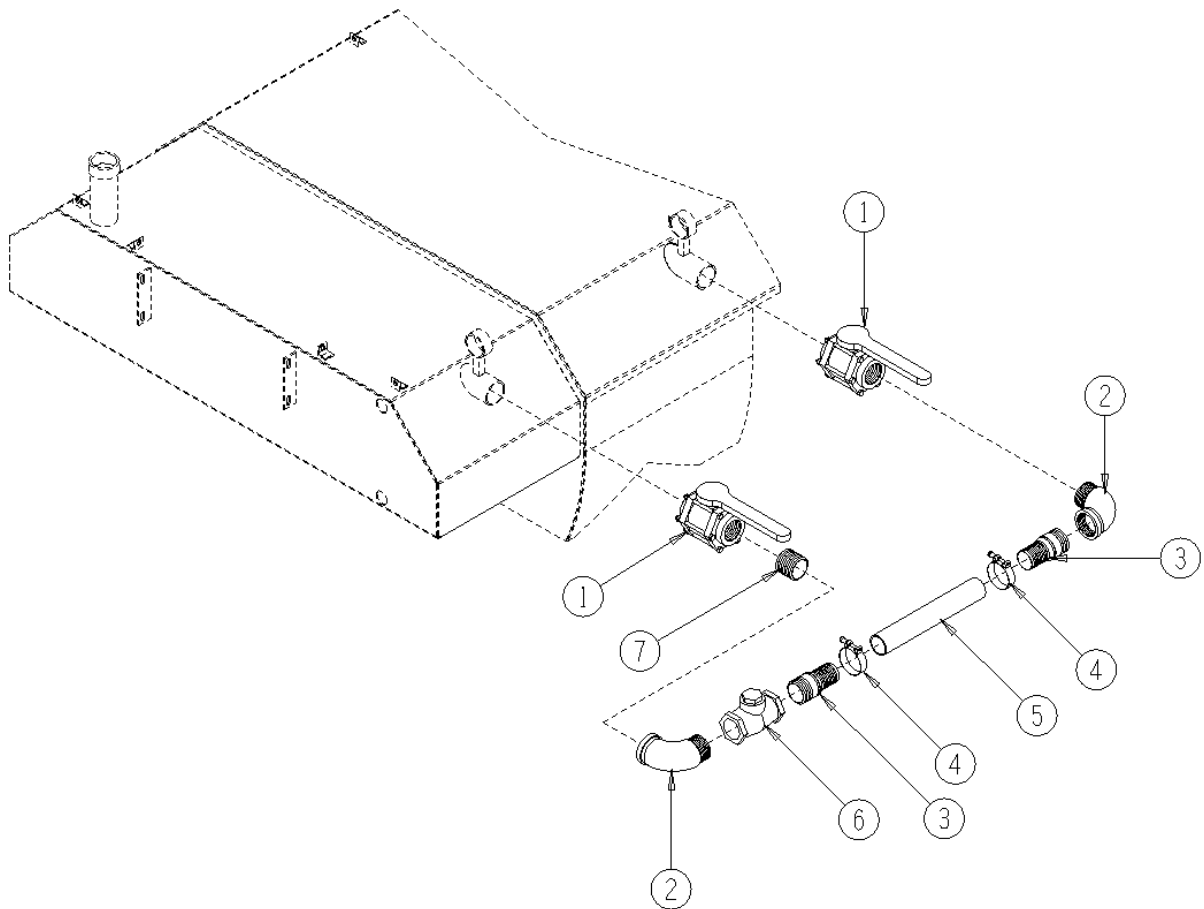
EHS750-3-3.1



EHS750-3-3.2 Less Water Fill Pump

<u>Ref</u>	<u>Part No.</u>	<u>Description</u>	<u>Parts – Assembly</u>	<u>Will Fit SN</u>	<u>Remarks</u>
1	VLV-2-BPBF	Valve, Ball, 2", Full Port, 4 Bolt, Polypropylene, Banjo	2		
2	ASL-32	2" Street Elbow, Domestic Only	2		
3	AN-32-HS	2" NPT, Combination Nipple/Hose Shank, 2" ID Hose	2		
4	CL-238	T Bar Hose Clamp for 2" Suction Hose	2		
5	HOS-0007	Hose, 2"x12.5" Fill Line, 2nd	1		
6	HV-CKV-200S	2" Swing Check Valve	1		
7	AN-32-CL	2" Close Fit Nipple	1		

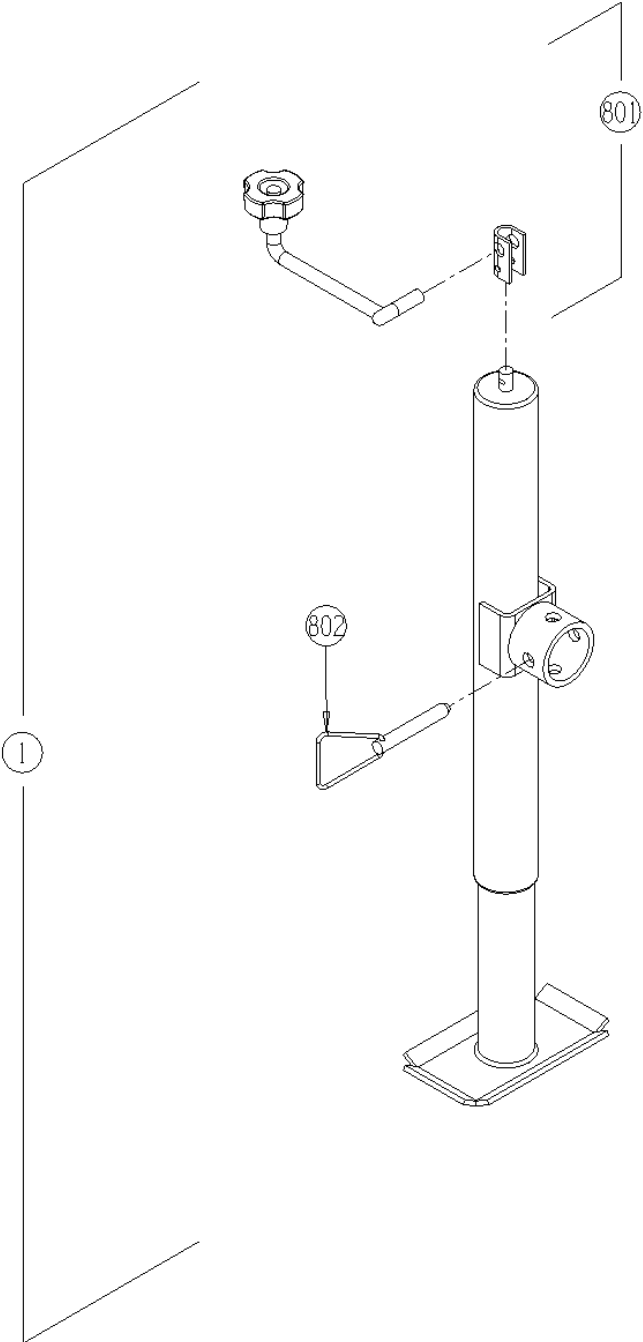
EHS750-3-3.2



EHS750-3-4 Jack Stand

<u>Ref</u>	<u>Part No.</u>	<u>Description</u>	<u>Parts – Assembly</u>	<u>Will Fit SN</u>	<u>Remarks</u>
1	WH-16122	Bulldog Sidewind Swivel Jack, 5,000 lb.	1		Old Style-Topwind, Part No. 18-450-3
801	WH-16122-D	Crank Assy for Bulldog Topwind Swivel Jack	1		
802	WH-16122-E	Pin & Chain Assy for Bulldog Topwind Swivel Jack	1		

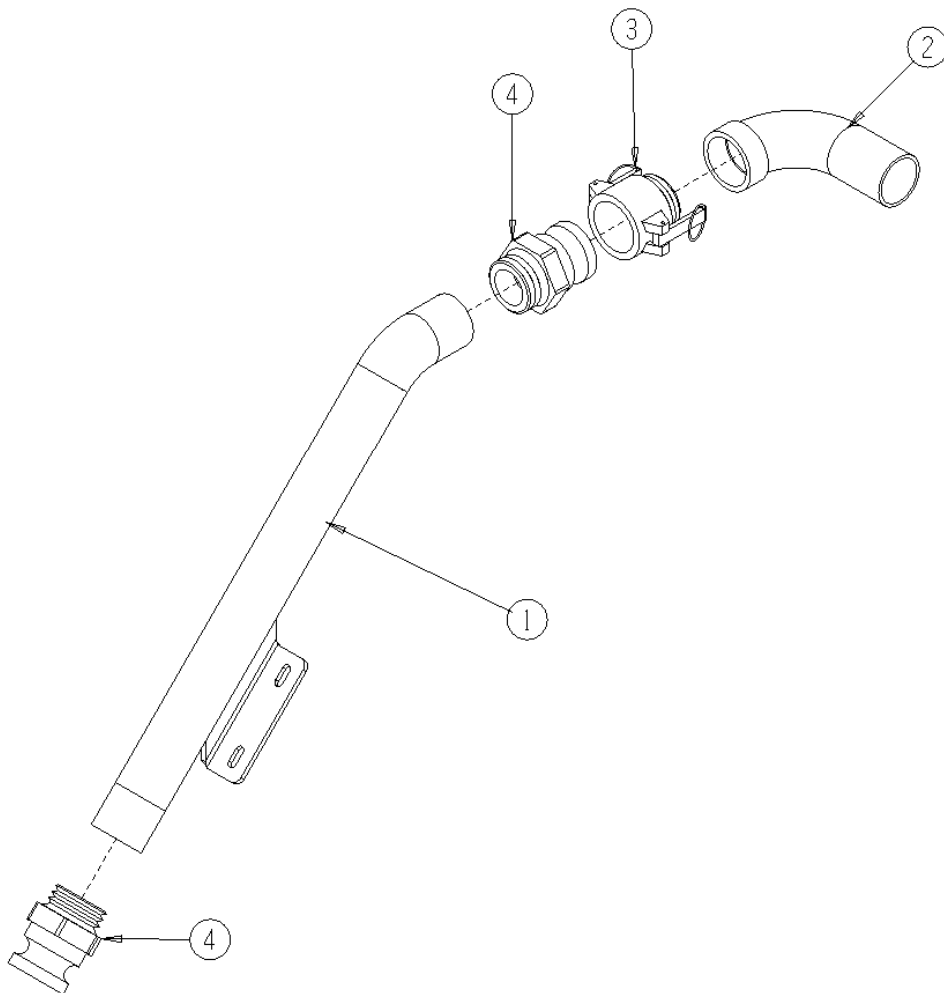
EHS750-3-4



EHS750-3-5 Hydrant Fill Pipe

<u>Ref</u>	<u>Part No.</u>	<u>Description</u>	<u>Parts – Assembly</u>	<u>Will Fit SN</u>	<u>Remarks</u>
1	PIP-0116	Pipe W, 2" Hydrant Fill, Seeder	1		
2	PIP-0117	Pipe W, 2" Hydrant Fill Extension, Seeder	1		
3	CPL-2F-2M	Camlock Coupler, 2" Female w/ 2" Male NPT	1		
4	CPL-2M-2F	Camlock Adapter, 2" Male w/ Female NPT	2		
101	BL-5-150-H	5/16-18 X 1 1/2 HEX CAP G5 ZC	2		
102	BL-6-FW	3/8 USS FW ZC	4		
103	BL-6-LN	3/8 UNC FIN HEX LOCK NUT NE A563 GrA ZINC	2		

EHS750-3-5



EHS750-3-6 Toolbox

<u>Ref</u>	<u>Part No.</u>	<u>Description</u>	<u>Parts – Assembly</u>	<u>Will Fit SN</u>	<u>Remarks</u>
1	TBX-0020	Toolbox, Alum, Diamond Plt Lid, See Drawing	1		
2	TBX-0012	Cable Lanyards, Per Pair	1		

EHS750-3-6

