



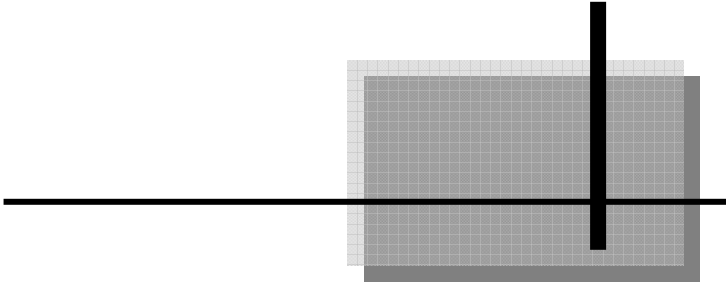
PARTS CATALOG

HYDRA-RAM 795 MANURE SPREADER



Pik Rite, Inc
60 Pik Rite Lane
Lewisburg, PA 17837
Ph. 800-326-9763
Fx. 570-523-8175
www.pikrite.com

11/26/08





HYDRA-RAM 795 MANURE SPREADER

(SPECIFICATIONS AND DESIGN SUBJECT TO CHANGE WITHOUT NOTICE)

DIRECTION ARROW

ARROWS ARE USED WITH ILLUSTRATIONS TO INDICATE THE FRONT OF THE UNIT. "RIGHT-HAND" AND "LEFT-HAND" SIDES ARE DETERMINED BY FACING THE DIRECTION OF MACHINE FORWARD TRAVEL.

BOX ENCLOSED ILLUSTRATIONS

A REFERENCE NUMBER, SHOWN IN THE PARTS LIST, IS ASSIGNED TO A BOX ENCOMPASSING ALL PARTS SOLD AS A SERVICE ASSEMBLY.

REFERENCE NUMBER IDENTIFICATION

000-099 PARTS USED FOR ASSEMBLY
100-199 BOLTS & FASTENERS
800-899 REPLACEMENT PARTS OR SERVICE ASSEMBLIES –
USED TO REPLACE OR REBUILD COMPONENTS OF THE
MACHINE

TABLE OF CONTENTS

| | | |
|-----------|--|----|
| 7306-1-1 | 795 Main Frame & Side Panels | 8 |
| 7307-1-1 | Main Frame & Side Panels, Tandem Rockers..... | 10 |
| 7306-1-2 | Main Floor and Guides for Sliding Floor | 12 |
| 7306-1-3 | Sliding Floor..... | 14 |
| 7306-1-4 | Moving Panel..... | 16 |
| 7306-1-6 | Beater Support Panels | 18 |
| 7306-1-7 | Endgate | 20 |
| 7306-1-8 | Front Splash Guard | 22 |
| 7306-1-9 | Tires and Wheels..... | 24 |
| 7307-1-10 | Walking Beam, Tandem | 26 |
| 7307-1-11 | Wheel, Hub and Bearings (Implement Tires)..... | 28 |
| 7307-1-12 | Optional - Wheel, Hub and Bearings (Truck Tires) | 30 |
| 7307-1-13 | Optional - Wheel & Hub (385 Truck Tires)..... | 32 |
| 7306-2-7 | Main Beater | 34 |
| 7306-2-8 | Upper Beater | 36 |
| 7306-2-9 | Upper Beater Drive Sprockets and Chain..... | 38 |
| 7306-2-13 | Spinner | 40 |
| 7306-2-14 | Driveline, 1000 rpm C/V..... | 42 |
| 7306-3-1 | Hydraulics, Control Valve to Push off Cylinders | 44 |
| 7306-3-2 | Hydraulics, Tractor to Endgate Cylinders | 46 |
| 7306-3-3 | Main Cylinder, Sliding Floor..... | 48 |
| 7306-3-4 | Secondary Cylinder, Moving Panel..... | 50 |
| 7306-3-5 | Endgate Lift Cylinder | 52 |

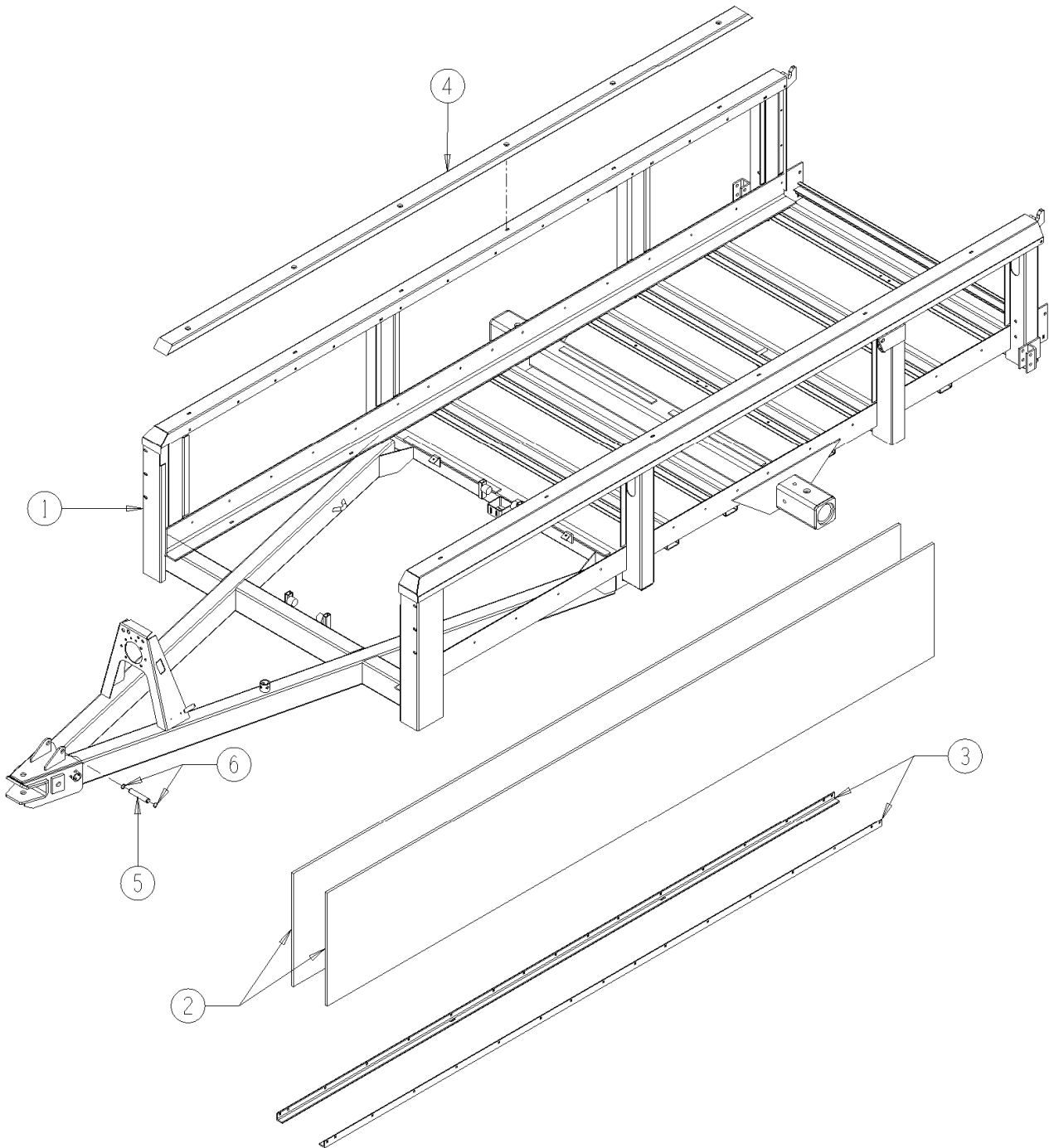
| | | |
|------------|---|----|
| 7306-3-6 | Optional Control Valve, Closed Center Hyd. Sys..... | 54 |
| 7306-3-7 | Optional Control Valve, Open Center Hyd. Sys..... | 56 |
| 7306-3-8 | Oil Tank Assy. | 58 |
| 7306-3-9 | Hydraulics, Drive System..... | 60 |
| 7306-3-9.1 | Optional – Hydraulics With Rear Disconnects | 64 |
| 7306-4-2 | Optional Safety Tow Chain | 68 |
| 7306-4-3 | Jack Stand..... | 70 |
| 7306-4-5 | Decals on Front of Spreader..... | 72 |
| 7306-4-6 | Decals on Sides of Spreader | 74 |

PARTS
CATALOG

7306-1-1 795 Main Frame & Side Panels

| <u>Ref</u> | <u>Part No.</u> | <u>Description</u> | <u>Parts – Assembly</u> | <u>Will Fit SN</u> | <u>Remarks</u> |
|------------|-----------------|--|-----------------------------|--------------------|----------------|
| 1 | PR22471 | Frame,Weldment,Spreader 795 Single Wheel | 1 | PR22471 | |
| 2 | PR44537 | Panel, Side Walls, 790 Spreader | 2 | | |
| 3 | PR38365 | Angle, Sliding Floor | 2 | | |
| 4 | PR39185 | Bumper Rail, Top Rail Protector | 2 | | |
| 5 | PR30289 | Cylinder Pin | 1 | | |
| 6 | PR58806 | Retaining Ring, 63/64" (.984) Shaft Size, External | 2 | | |
| 101 | BL-6-125-C | 3/8 UNC X 1 1/4 CARRIAGE BOLT GR5 ZINC | 20 | | |
| 102 | BL-6-150-C | 3/8 UNC X 1 1/2 CARRIAGE BOLT GR5 ZINC | 10 | | |
| 103 | BL-6-175-C | 3/8 UNC X 1 3/4 CARRIAGE BOLT GR5 ZINC | 30 | | |
| 104 | BL-6-250-H | 3/8-16 X 2 1/2 HH C/S GR5 ZC | 6 | | |
| 105 | BL-6-300-H | 3/8 UNC X 3 HH C/S BOLT GR5 ZINC | 3 | | |
| 106 | BL-6-350-H | 3/8-16 X 3 1/2 HEX CAP G5 ZC | 2 | | |
| 107 | BL-6-400-H | 3/8-16 X 4 HEX CAP G5 ZC | 1 | | |
| 108 | BL-6-N | 3/8-16 HEX NUTS ZC | 60 | | |
| 109 | BL-6-LW | 3/8 SPLIT LW ZC | 60 | | |
| 110 | BL-6-SW | 3/8 SAE FW ZC | 30 | | |
| 111 | BL-6-FW | 3/8 USS FW ZC | 50 | | |
| 112 | BL-6-LN | 3/8 UNC FIN HEX LOCK NUT NE A563 GrA ZINC | 12 | | |

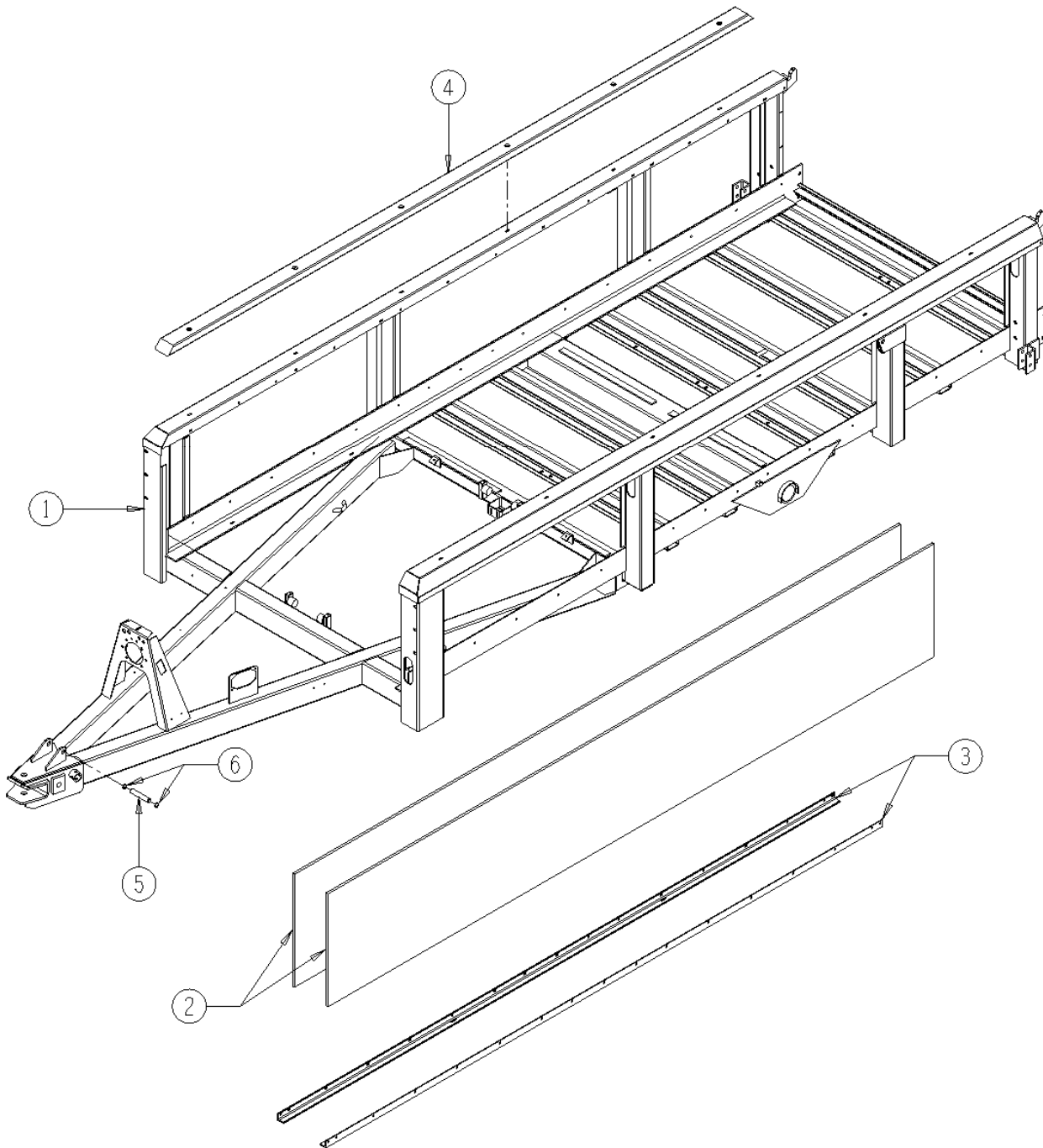
7306-1-1
795 MAIN FRAME & SIDE PANELS



7307-1-1 Main Frame & Side Panels, Tandem Rockers

| <u>Ref</u> | <u>Part No.</u> | <u>Description</u> | <u>Parts – Assembly</u> | <u>Will Fit SN</u> | <u>Remarks</u> |
|------------|-----------------|--|-----------------------------|--------------------|----------------|
| 1 | PR22474 | Frame W, Spreader 795 w/ Tandem Walking Beam | 1 | | |
| 2 | PR44537 | Panel, Side Walls, 790 Spreader | 2 | | |
| 3 | PR38365 | Angle, Sliding Floor | 2 | | |
| 4 | PR39185 | Bumper Rail, Top Rail Protector | 2 | | |
| 5 | PR30289 | Cylinder Pin | 1 | | |
| 6 | PR58806 | Retaining Ring, 63/64" (.984) Shaft Size, External | 2 | | |
| 101 | BL-6-125-C | 3/8 UNC X 1 1/4 CARRIAGE BOLT GR5 ZINC | 20 | | |
| 102 | BL-6-150-C | 3/8 UNC X 1 1/2 CARRIAGE BOLT GR5 ZINC | 10 | | |
| 103 | BL-6-175-C | 3/8 UNC X 1 3/4 CARRIAGE BOLT GR5 ZINC | 30 | | |
| 104 | BL-6-250-H | 3/8-16 X 2 1/2 HH C/S GR5 ZC | 6 | | |
| 105 | BL-6-300-H | 3/8 UNC X 3 HH C/S BOLT GR5 ZINC | 3 | | |
| 106 | BL-6-350-H | 3/8-16 X 3 1/2 HEX CAP G5 ZC | 2 | | |
| 107 | BL-6-400-H | 3/8-16 X 4 HEX CAP G5 ZC | 1 | | |
| 108 | BL-6-N | 3/8-16 HEX NUTS ZC | 60 | | |
| 109 | BL-6-LW | 3/8 SPLIT LW ZC | 60 | | |
| 110 | BL-6-SW | 3/8 SAE FW ZC | 30 | | |
| 111 | BL-6-FW | 3/8 USS FW ZC | 50 | | |
| 112 | BL-6-LN | 3/8 UNC FIN HEX LOCK NUT NE A563 GrA ZINC | 12 | | |

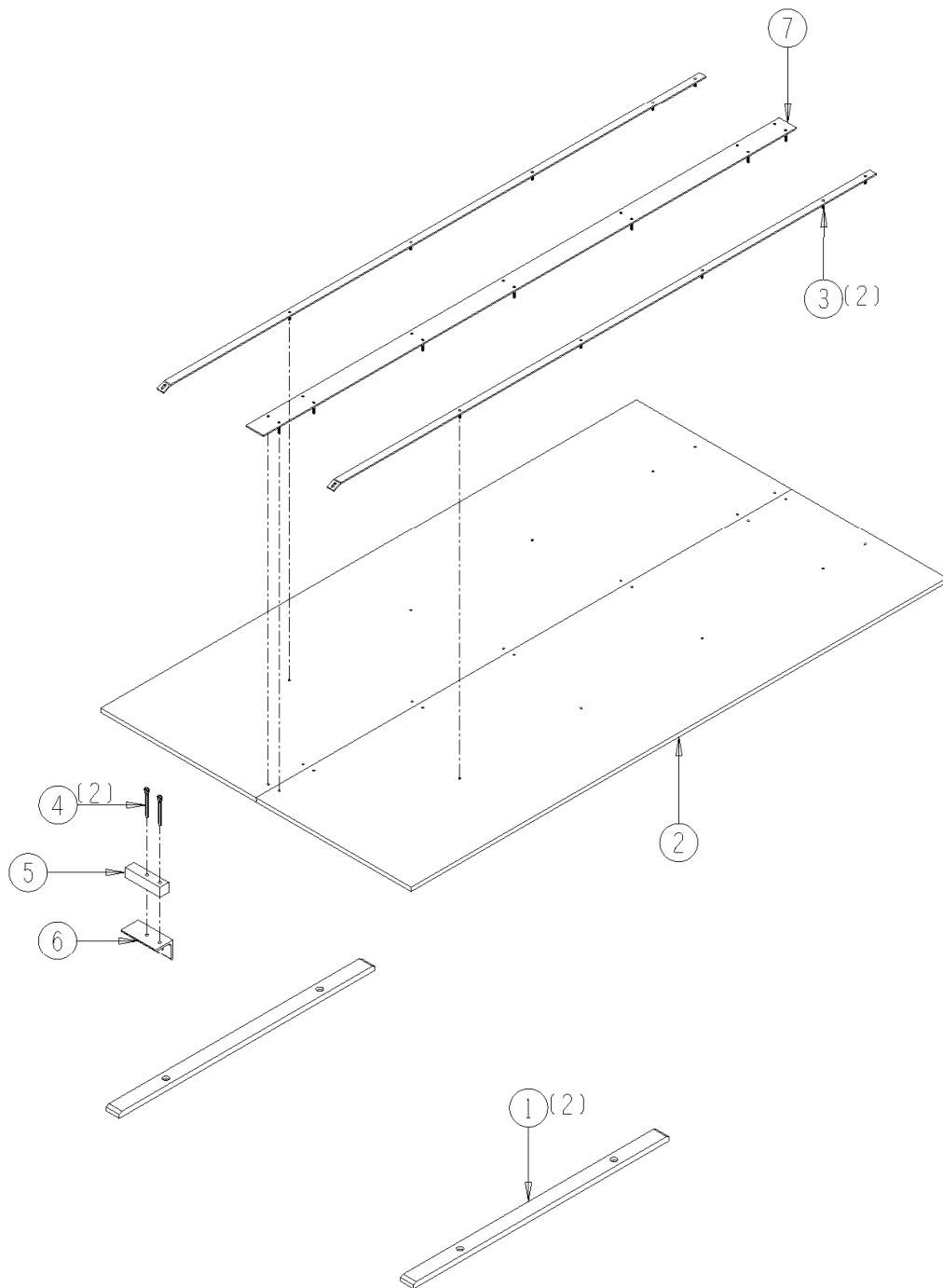
7307-1-1
795 MAIN FRAME & SIDE PANELS, TANDEM



7306-1-2 Main Floor and Guides for Sliding Floor

| <u>Ref</u> | <u>Part No.</u> | <u>Description</u> | <u>Parts – Assembly</u> | <u>Will Fit SN</u> | <u>Remarks</u> |
|------------|-----------------|---|-----------------------------|--------------------|----------------|
| 1 | PR33358 | Slide, Wood, Front, Spreader | 2 | | |
| 2 | PR33279 | Panel, Main Floor, Spreader, 790,1190 | 1 | | |
| 3 | PR22499 | Wear Plate | 2 | | |
| 4 | PIN-C4-32 | Cotter Pin .25 x 2" | 2 | | |
| 5 | PR33555 | Angle | 1 | | |
| 6 | PR32639 | Support, Cylinder, UHMW | 1 | | |
| 7 | PR22497 | Retaining Bar, Main Floor | 1 | | |
| 101 | BL-6-150-H | 3/8-16 X 1 1/2 HEX CAP G5 ZC | 4 | | |
| 102 | BL-6-125-C | 3/8 UNC X 1 1/4 CARRIAGE BOLT GR5 ZINC | 2 | | |
| 103 | BL-6-100-H | 3/8 UNC X 1 HH C/S BOLT GR5 ZINC | 2 | | |
| 104 | BL-6-LN | 3/8 UNC FIN HEX LOCK NUT NE A563 GrA ZINC | 32 | | |
| 105 | BL-6-FW | 3/8 USS FW ZC | 34 | | |

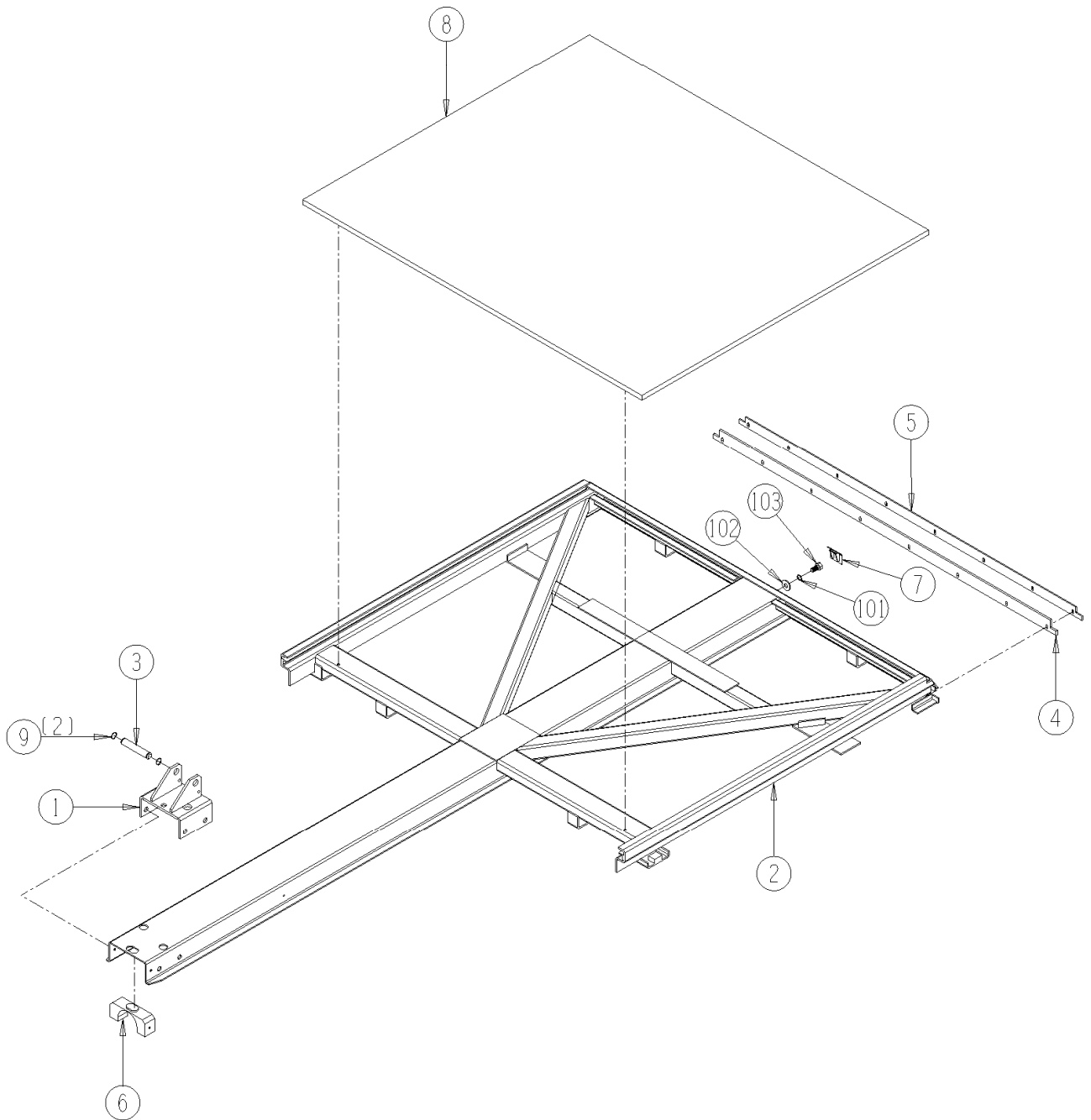
7306-1-2
MAIN FLOOR AND GUIDES FOR SLIDING FLOOR



7306-1-3 Sliding Floor

| <u>Ref</u> | <u>Part No.</u> | <u>Description</u> | <u>Parts – Assembly</u> | <u>Will Fit SN</u> | <u>Remarks</u> |
|------------|-----------------|--|-----------------------------|--------------------|----------------|
| 1 | PR23219 | Support, Cylinder Mount, Sliding Floor | 1 | | |
| 2 | PR25873 | Sliding Floor, Inside, Spreader, 790,1190 | 1 | | |
| 3 | PR30289 | Cylinder Pin | 1 | | |
| 4 | PR33352 | Belting, Bottom Bed Scraper, Sliding Floor | 1 | | |
| 5 | PR33354 | Retaining Bar, Sliding Floor, 790,1190 | 1 | | |
| 6 | PR38758 | Plastic Guide, Hydraulic Cylinder, Sliding Floor | 1 | | |
| 7 | PR38760 | Plug, Sliding Floor, Spreader | 1 | | |
| 8 | PR44533 | Panel, Sliding Floor, Spreader | 1 | | |
| 9 | PR58806 | Retaining Ring, 63/64" (.984) Shaft Size, External | 2 | | |
| 101 | BL-10-LW | 5/8 SPLIT LW ZC | 1 | | |
| 103 | BL-8-200-35H8 | 0.8 x 16mm-2.0 x 35 Gr 8 HH Bolt Zinc Coated | 1 | | |
| 104 | BL-6-350-C | 3/8 UNC X 3 1/2 CARRIAGE BOLT GR5 ZINC | 2 | | |
| 105 | BL-5-125-H | 5/16-18 X 1 1/4 HEX CAP G5 ZC | 8 | | |
| 106 | BL-10-150-H | 5/8-11 X 1 1/2 HEX CAP G5 ZC | 4 | | |
| 107 | BL-5-075-H | 5/16-18 X 3/4 HEX CAP G5 ZC | 2 | | |
| 108 | BL-6-SW | 3/8 SAE FW ZC | 2 | | |
| 109 | BL-10-LN | 5/8-11 HEX LN NE ZC | 4 | | |
| 110 | BL-10-SW | 5/8 SAE FW ZC @ | 9 | | |
| 111 | BL-5-FW | 5/16 USS FW ZC | 10 | | |
| 112 | BL-5-LW | 5/16 SPLIT LW ZC | 10 | | |
| 113 | BL-6-N | 3/8-16 HEX NUTS ZC | 2 | | |
| 114 | BL-6-LW | 3/8 SPLIT LW ZC | 2 | | |

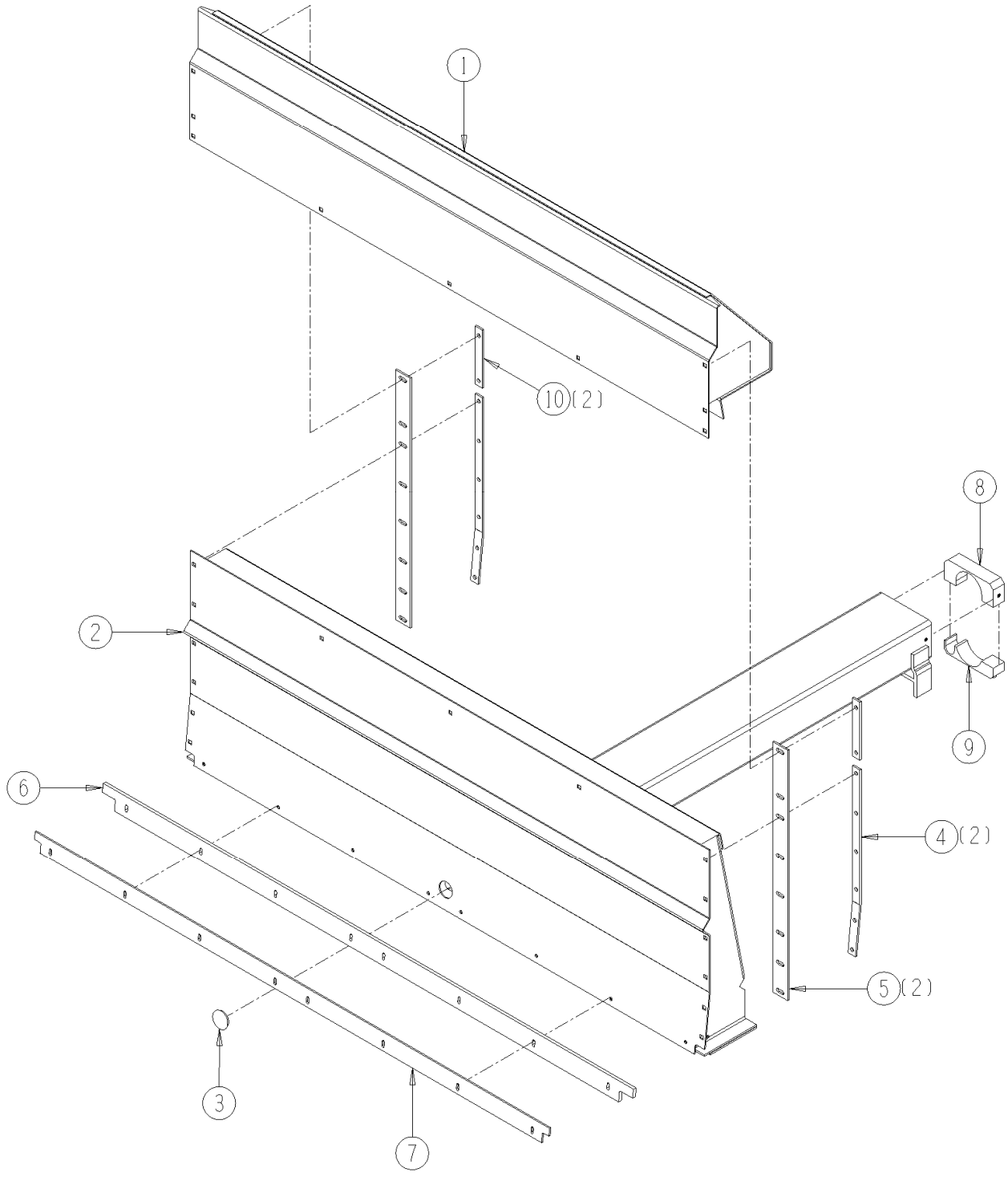
7306-1-3
SLIDING FLOOR



7306-1-4 Moving Panel

| <u>Ref</u> | <u>Part No.</u> | <u>Description</u> | <u>Parts – Assembly</u> | <u>Will Fit SN</u> | <u>Remarks</u> |
|------------|-----------------|---|-----------------------------|--------------------|----------------|
| 1 | PR22461 | Extension, Moving Panel, Spreader | 1 | | |
| 2 | PR25872 | Front Panel, Sliding, Spreader | 1 | | |
| 3 | PL-0024 | Plastic, Nylon, 1-3/4" Hole Plug, Locking, Unvented | 1 | | |
| 4 | PR33435 | Strap, Moving Panel, Spreader | 2 | | |
| 5 | PR33440 | Flap, Moving Panel Scraper Belt, Spreader | 2 | | |
| 6 | PR33441 | Flap, Moving Panel Scraper Belting, Bottom | 1 | | |
| 7 | PR33443 | Retaining Bar, Moving Panel, Bottom | 1 | | |
| 8 | PR34750 | Guide, Plastic, Cylinder Holder, Moving Panel | 1 | | |
| 9 | PR34751 | Guide, Plastic, Cylinder Mount, Lower, Moving Pnl | 1 | | |
| 10 | PR34268 | Retainer Bar, Top, Side Scraper, Moving Panel | 2 | | |
| 101 | BL-6-075-C | 3/8 UNC X 3/4 CARRIAGE BOLT GR5 ZINC | 8 | | |
| 102 | BL-6-125-C | 3/8 UNC X 1 1/4 CARRIAGE BOLT GR5 ZINC | 14 | | |
| 103 | BL-6-150-C | 3/8 UNC X 1 1/2 CARRIAGE BOLT GR5 ZINC | 2 | | |
| 104 | BL-5-125-H | 5/16-18 X 1 1/4 HEX CAP G5 ZC | 8 | | |
| 105 | BL-M16-40 | Hex Bolt, 16mm x 40mm | 2 | | |
| 106 | BL-6-075-H | 3/8-16 X 3/4 HHCS G5 ZC | 2 | | |
| 107 | BL-6-SW | 3/8 SAE FW ZC | 26 | | |
| 108 | BL-10-LW | 5/8 SPLIT LW ZC | 2 | | |
| 109 | BL-10-FW-8 | 5/8" Grade 8 Flat Washer | 1 | | |
| 110 | BL-5-FW | 5/16 USS FW ZC | 8 | | |
| 111 | BL-5-LW | 5/16 SPLIT LW ZC | 8 | | |
| 112 | BL-10-FWSS | 5/8 USS FW SS | 1 | | |
| 113 | BL-6-N | 3/8-16 HEX NUTS ZC | 24 | | |

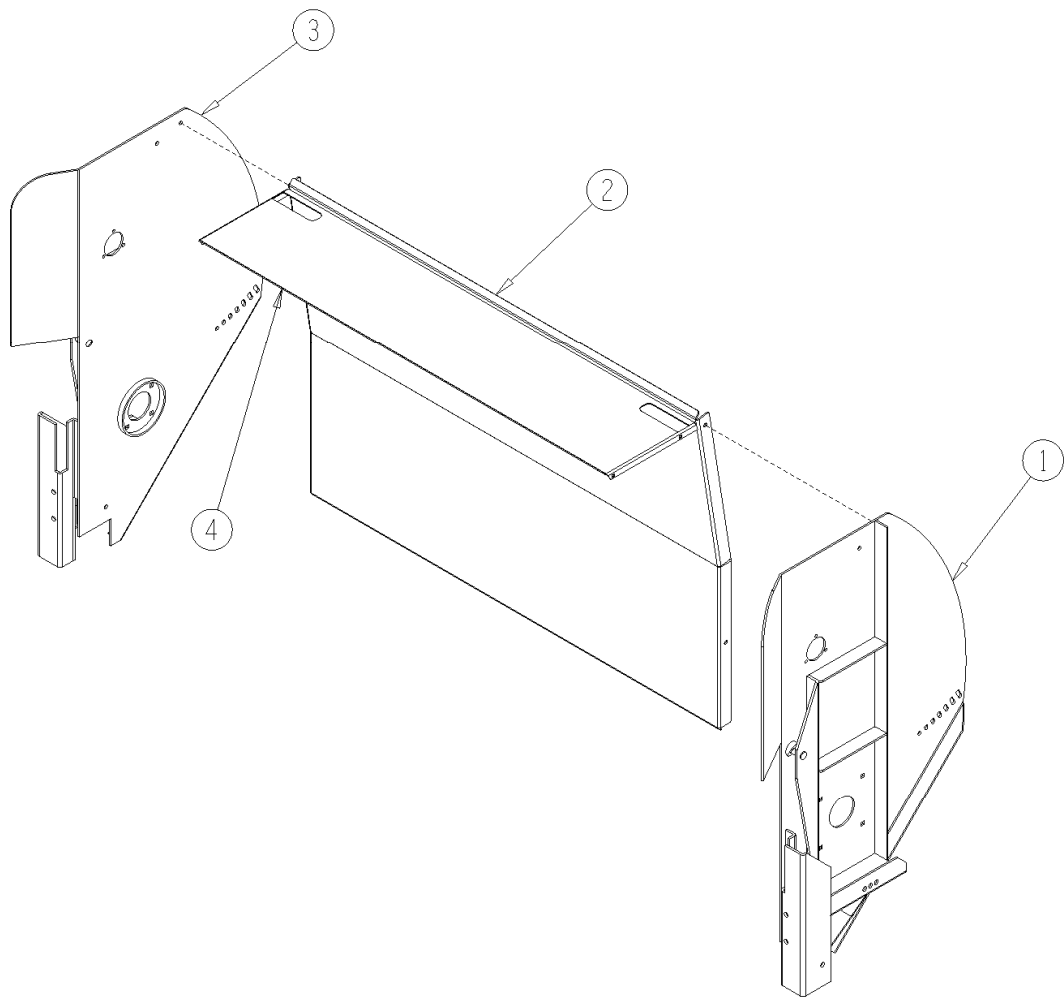
7306-1-4
MOVING PANEL



7306-1-6 Beater Support Panels

| <u>Ref</u> | <u>Part No.</u> | <u>Description</u> | <u>Parts – Assembly</u> | <u>Will Fit SN</u> | <u>Remarks</u> |
|------------|-----------------|--------------------------------|-----------------------------|--------------------|----------------|
| 1 | PR45000 | Left Panel, Beater,795 | 1 | PR45000 | |
| 2 | PR45001 | Right Panel,Beater,795 | 1 | PR45001 | |
| 3 | PR45002 | Rear Panel,Beater,795 Spreader | 1 | | |
| 4 | PR45021 | Hood, Upper Beater | 1 | | |
| 101 | BL-10-SW | 5/8 SAE FW ZC @ | 4 | | |
| 102 | BL-10-LN | 5/8-11 HEX LN NE ZC | 4 | | |
| 103 | BL-10-FW-8 | 5/8" Grade 8 Flat Washer | 4 | | |

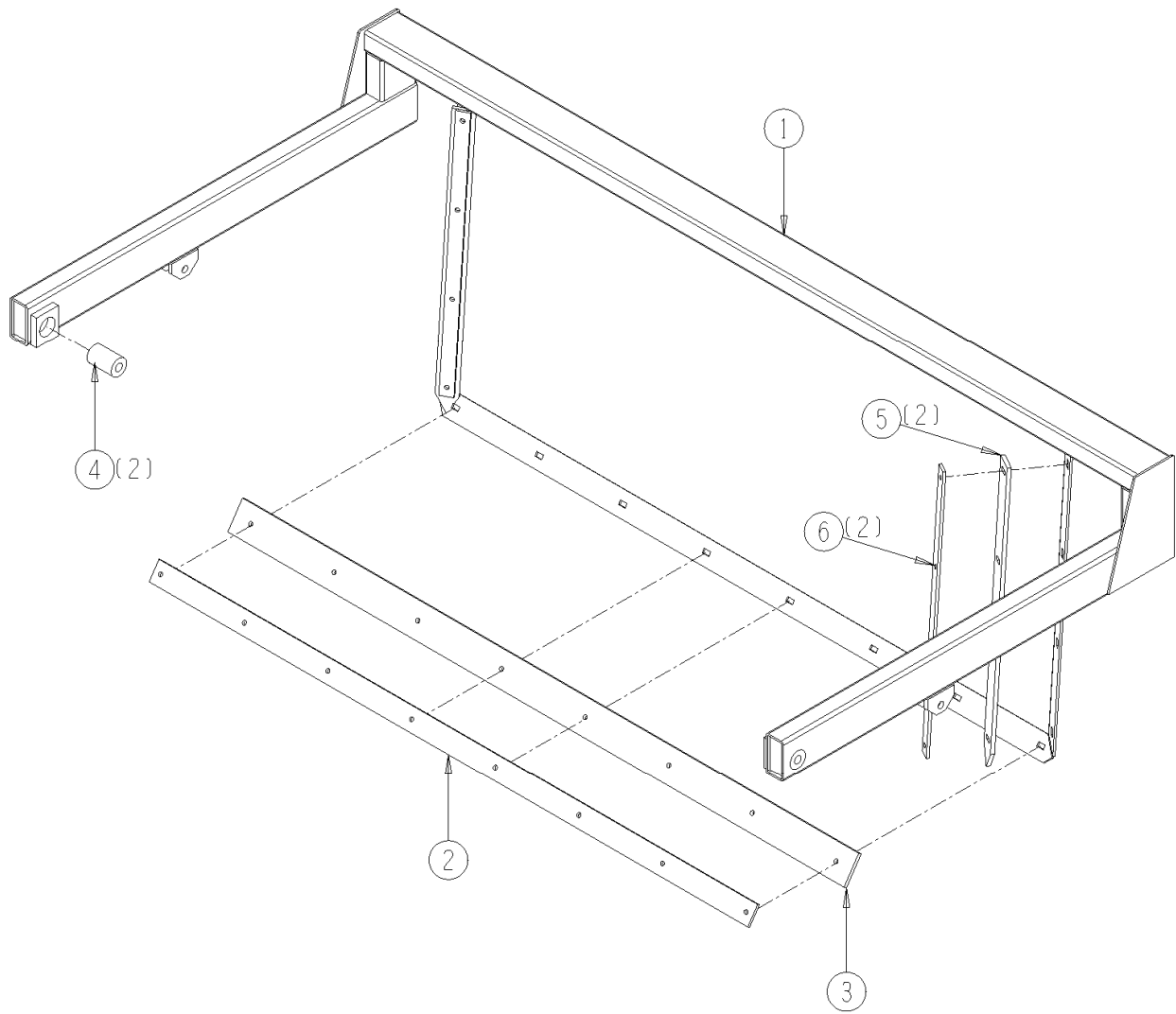
7306-1-6
BEATER SUPPORT PANELS



7306-1-7 Endgate

| <u>Ref</u> | <u>Part No.</u> | <u>Description</u> | <u>Parts – Assembly</u> | <u>Will Fit SN</u> | <u>Remarks</u> |
|------------|-----------------|---|-----------------------------|--------------------|----------------|
| 1 | PR39046 | End Gate Wldmt, Spreader | 1 | | |
| 2 | PR39063 | Bar, Bottom, Belting Holder, End Gate, Spreader | 1 | | |
| 3 | PR39064 | Belting, Bottom, End Gate, Spreader | 1 | | |
| 4 | PR39065 | Spacer, Pivot End Bushing, End Gate, Spreader | 2 | | |
| 5 | PR39062 | Belting, Side, End Gate, Spreader | 2 | | |
| 6 | PR39061 | Bar, Side Belting Holder, End Gate, Spreader | 2 | | |
| 101 | BL-12-450-8 | 3/4" x 4 1/2", HH C/S G8 ZC | 2 | | |
| 102 | BL-10-300-H | 5/8-11 X 3 HEX CAP G5 ZC | 2 | | |
| 103 | BL-10-375-H | 5/8-11 X 3 3/4 HEX CAP G5 ZC | 2 | | |
| 104 | BL-6-125-C | 3/8 UNC X 1 1/4 CARRIAGE BOLT GR5 ZINC | 14 | | |
| 105 | BL-6-150-C | 3/8 UNC X 1 1/2 CARRIAGE BOLT GR5 ZINC | 2 | | |
| 106 | BL-10-SW | 5/8 SAE FW ZC @ | 8 | | |
| 107 | BL-12-FW | 3/4" Flat Washer | 4 | | |
| 108 | BL-12-LN | 3/4" Lock Nuts w/Nylon Inserts | 2 | | |
| 109 | BL-10-LN | 5/8-11 HEX LN NE ZC | 4 | | |
| 110 | BL-6-N | 3/8-16 HEX NUTS ZC | 16 | | |
| 111 | BL-6-LW | 3/8 SPLIT LW ZC | 16 | | |
| 112 | BL-6-SW | 3/8 SAE FW ZC | 16 | | |

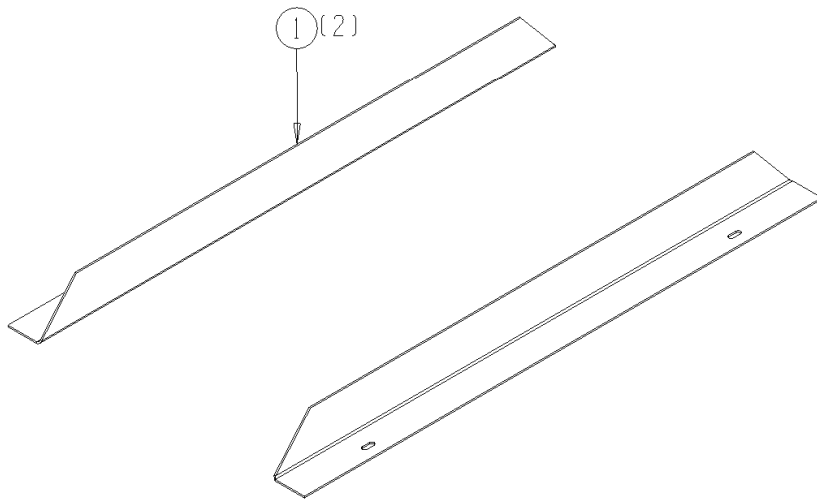
7306-1-7
ENDGATE



7306-1-8 Front Splash Guard

| <u>Ref</u> | <u>Part No.</u> | <u>Description</u> | <u>Parts – Assembly</u> | <u>Will Fit SN</u> | <u>Remarks</u> |
|------------|-----------------|--------------------------|-----------------------------|--------------------|----------------|
| 1 | PR39182 | Splash Guard, 790 & 1190 | 2 | | |

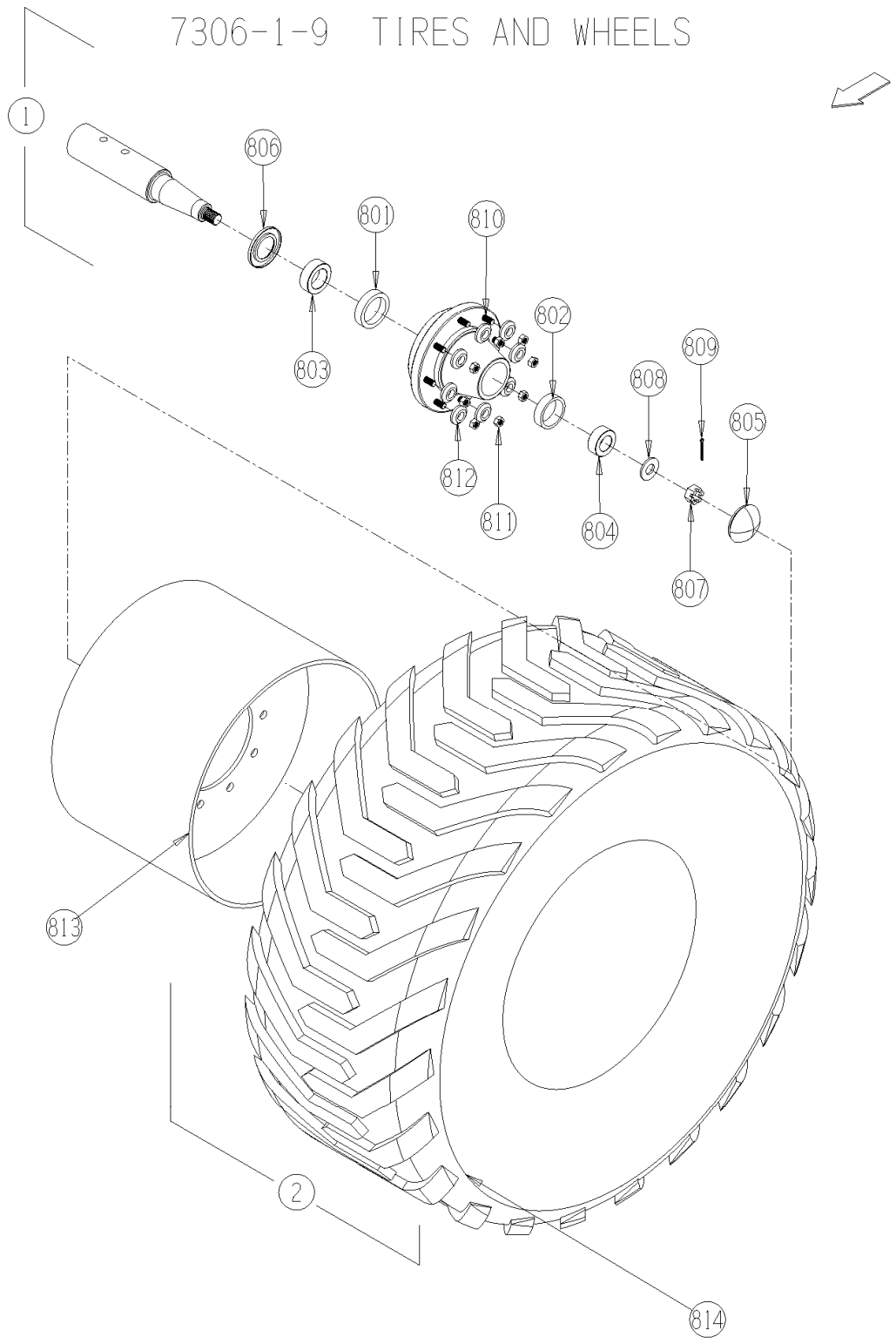
7306-1-8
FRONT SPLASH GUARD



7306-1-9 Tires and Wheels

| <u>Ref</u> | <u>Part No.</u> | <u>Description</u> | <u>Parts – Assembly</u> | <u>Will Fit SN</u> | <u>Remarks</u> |
|------------|-----------------|---|-----------------------------|--------------------|----------------|
| 1 | WHL-1210 | Hub and Spindle Assembly | 2 | | |
| 2 | WHM-7101 | 550/60-22.5 Tire & Wheel Assy | 2 | 1190 | |
| 801 | WHL-1210A | Inner Cup | 1 | | |
| 802 | WHL-1210B | Outter Cup | 1 | | |
| 803 | WHL-1210C | Inner Cone | 1 | | |
| 804 | WHL-1210D | Outter Cone | 1 | | |
| 805 | WHL-1210E | Dust Cap | 1 | | |
| 806 | WHL-1210F | Grease Seal | 1 | | |
| 807 | WHL-1210G | Flange Nut, Spindle | 1 | | |
| 808 | WHL-1210H | Washer, Spindle | 1 | | |
| 809 | WHL-1210I | Cotter Pin, Spindle | 1 | | |
| 810 | WHL-1210J | Wheel Stud Bolt | 8 | | |
| 811 | WHL-1210K | Wheel Stud Nut | 8 | | |
| 812 | WHL-1210L | Wheel Stud Washer | 8 | | |
| 813 | WHL-7104 | Wheel, 16 x 22.5 - 7/15, 3/8" (+) Offset, HD, Painted | 1 | WHL-7101 | |
| 814 | WHT-7101 | Tire, Implement, 550/60-22.5, 404 Tread | 1 | | |
| 815 | WHL-1210M | Spindle | 1 | | |

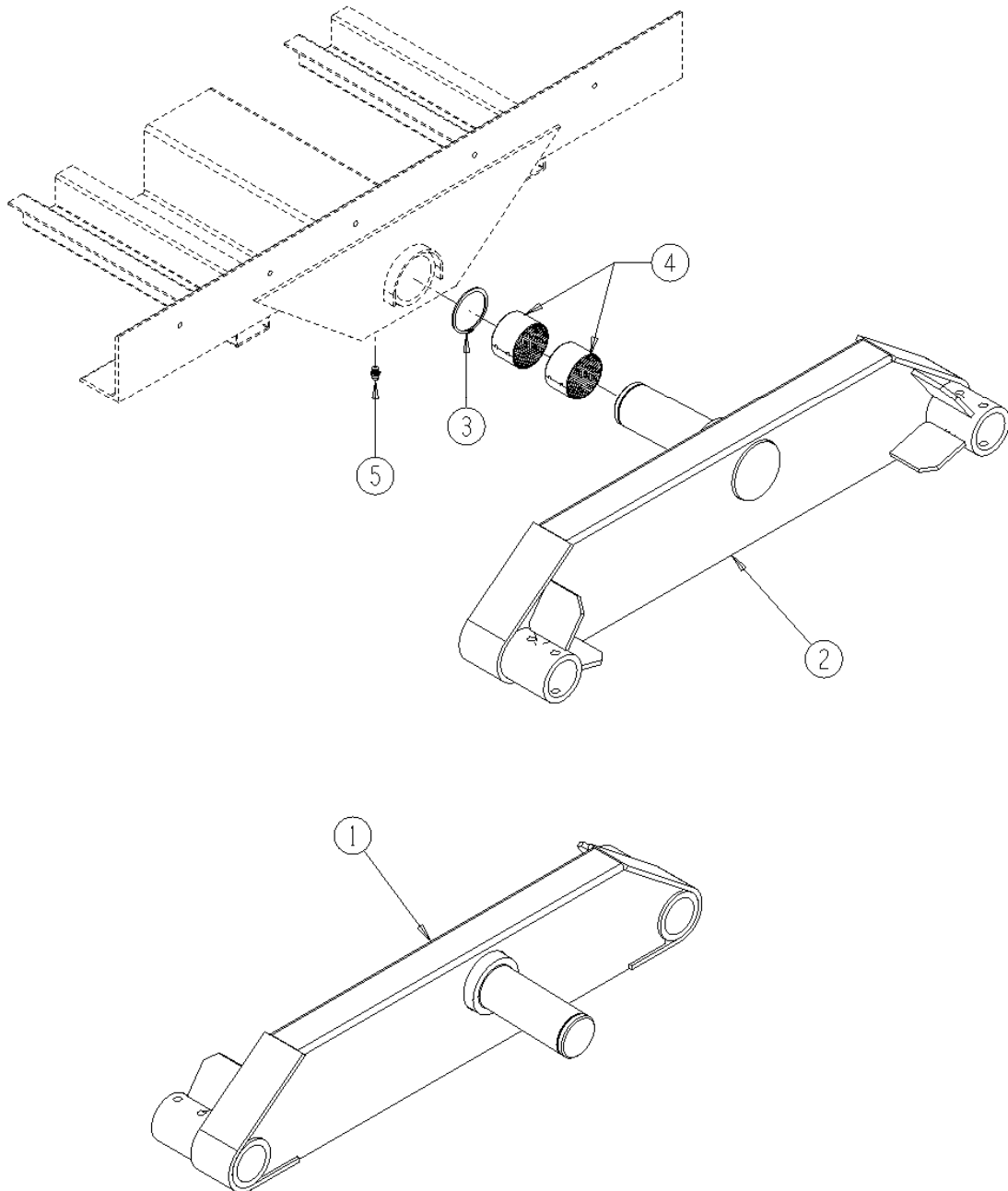
7306-1-9 TIRES AND WHEELS



7307-1-10 Walking Beam, Tandem

| <u>Ref</u> | <u>Part No.</u> | <u>Description</u> | <u>Parts – Assembly</u> | <u>Will Fit SN</u> | <u>Remarks</u> |
|------------|-----------------|---|-----------------------------|--------------------|----------------|
| 1 | PR22987 | Walking Beam, Right, 795 Spreader | 1 | | |
| 2 | PR22986 | Walking Beam, Left, 795 Spreader | 1 | | |
| 3 | PR43595 | Retaining Ring, 3 1/2", External | 2 | | |
| 4 | PR34413 | Bronze Bushing for Spreader, 3½" Dia Shaft | 4 | | |
| 5 | GF-1827-65L | Grease Fitting 1/8 NPT Long 65 | 2 | | |
| 6 | H2-16-2MP-2MP | 1/8 in grease hose 1/8MP x 1/8MP x 16 in long | 2 | | |
| 7 | DC-0010 | Decal, Grease Every 10 hrs. | 2 | | |
| 8 | A-1501-2-2 | 1/8" MP x 1/8" FPX90 | 2 | | |
| 9 | A-1404-2-2 | 1/8 MP x 1/8 FPX | 2 | | |
| 101 | BL-10-500-H | 5/8-11 X 5 HEX CAP G5 ZC | 4 | | |
| 102 | BL-10-LN | 5/8-11 HEX LN NE ZC | 4 | | |

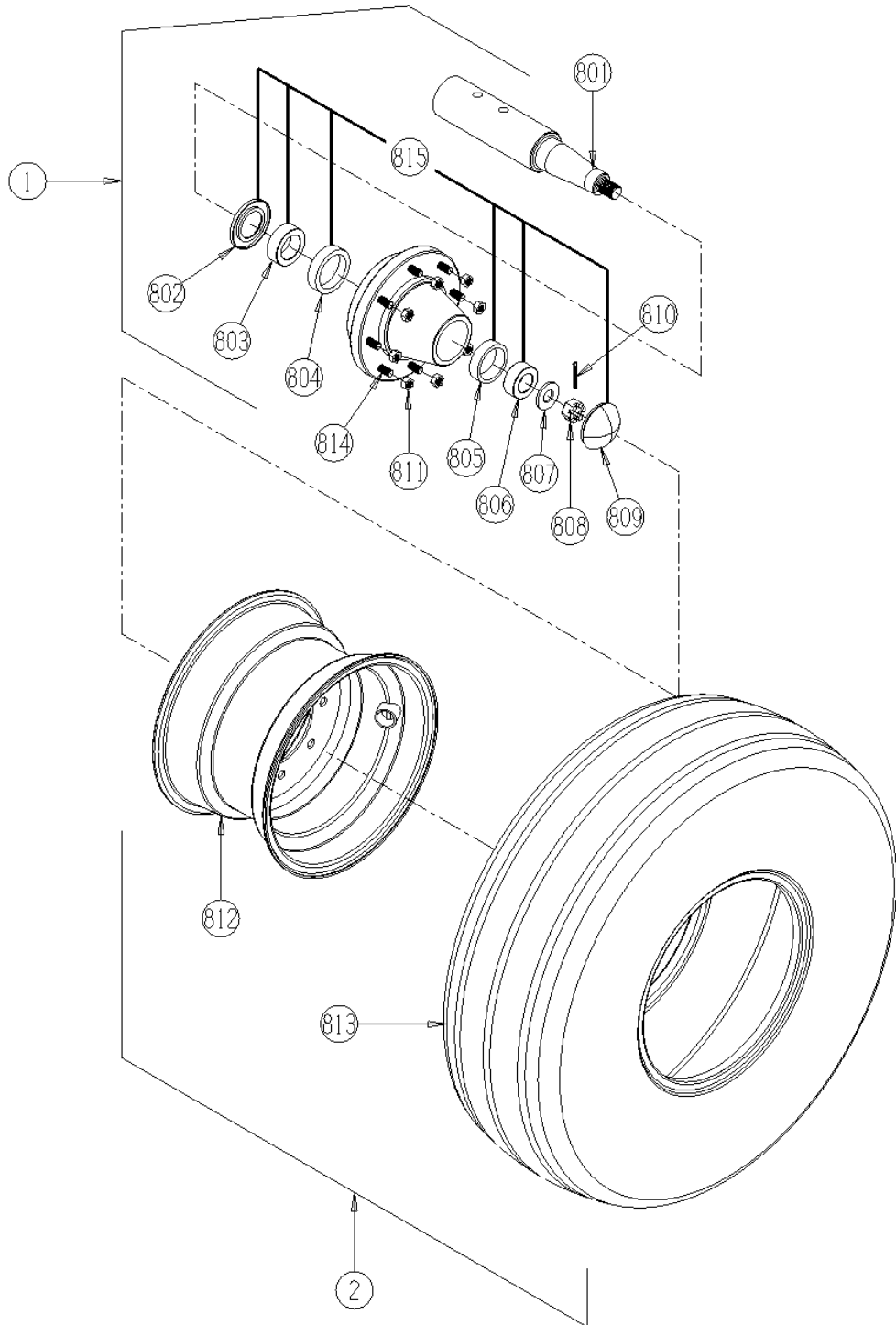
7307-1-10
WALKING BEAM



7307-1-11 Wheel, Hub and Bearings (Implement Tires)

| <u>Ref</u> | <u>Part No.</u> | <u>Description</u> | <u>Parts – Assembly</u> | <u>Will Fit SN</u> | <u>Remarks</u> |
|------------|-----------------|---|-----------------------------|--------------------|----------------|
| 1 | WHL-3000 | Hub Assembly Complete (includes spindle) | 4 | | |
| 2 | WHM-1514 | 16.5-16.1 Tire & Wheel Assembly (Spreader, Tubeless) | 4 | 790 | |
| 801 | WHL-3001 | Spindle 3" x 16" | 4 | WHL-3000 | |
| 802 | WHL-3000G | Seal | 4 | WHL-3000 | |
| 803 | WHL-3000C | Inner Cone | 4 | WHL-3000 | |
| 804 | WHL-3000A | Inner Cup | 4 | WHL-3000 | |
| 805 | WHL-3000B | Outer Cup | 4 | WHL-3000 | |
| 806 | WHL-3000D | Outer Cone | 4 | WHL-3000 | |
| 807 | WHL-3000K | Spindle Washer | 4 | WHL-3000 | |
| 808 | WHL-3000J | Spindle Nut | 4 | WHL-3000 | |
| 809 | WHL-3000H | Hub Cap | 4 | WHL-3000 | |
| 810 | PIN-C3-16-32 | Cotter Pin 3/16 x 2" | 4 | | |
| 811 | WHL-3000F | Lug Nut | 32 | WHL-3000 | |
| 812 | WHL-1614 | 16 x 14 Wheel 8-8-6 (3/8 Positive Offset) | 4 | | |
| 813 | WHT-1614 | 16.5 x 16.1 14 Ply Ribbed Implement Tire (Spreader, Tubeless) | 4 | | |
| 814 | WHL-3000E | Stud Bolt | 32 | WHL-3000 | |
| 815 | WBR-3000K | Wheel Bearing Kit for WHL-3000 Hub & Spindle Assy. | 4 | WHL-3000 | |

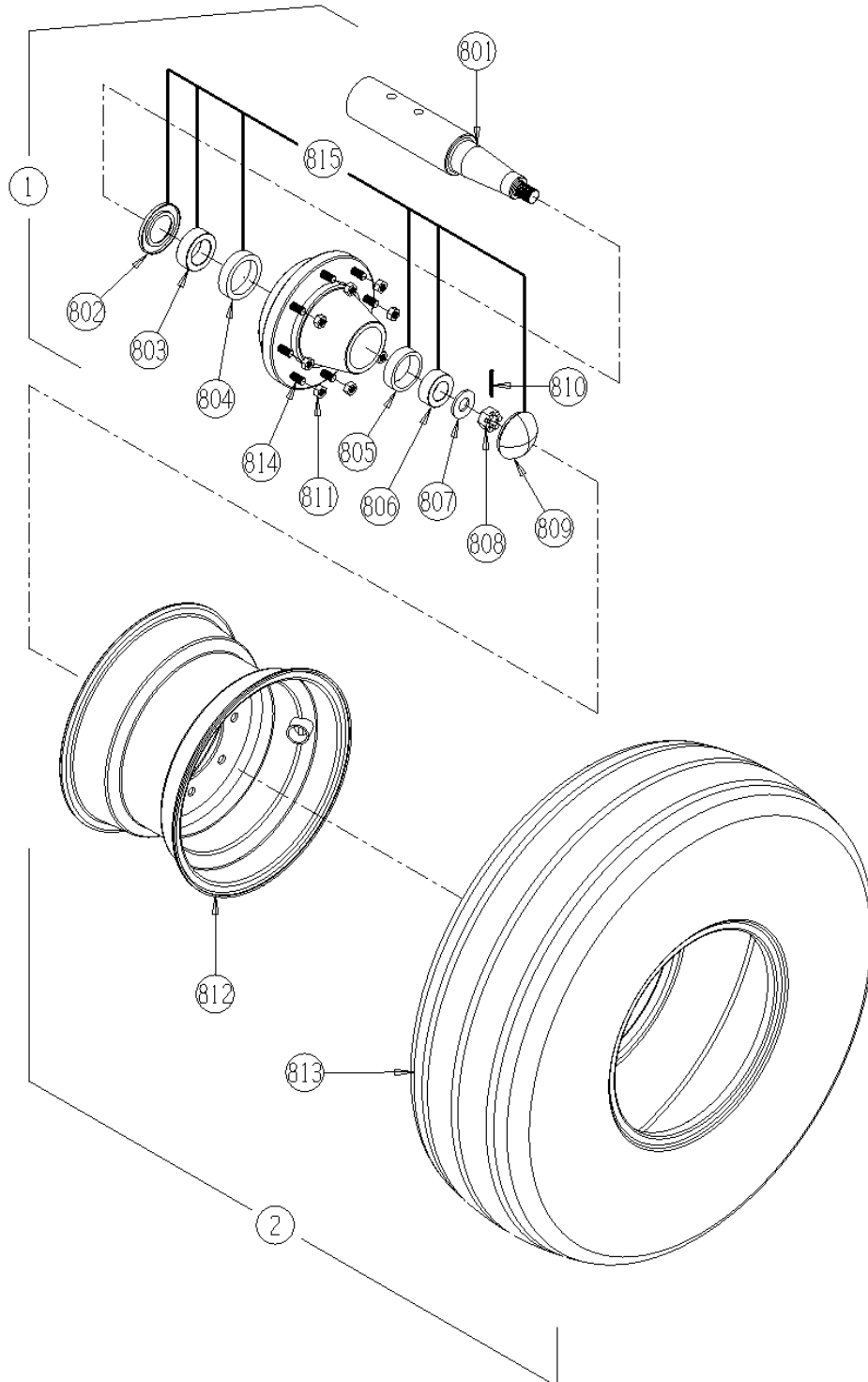
7307-1-11
WHEEL, HUB & BEARINGS
(IMPLEMENT TIRES)



7307-1-12 Optional - Wheel, Hub and Bearings (Truck Tires)

| <u>Ref</u> | <u>Part No.</u> | <u>Description</u> | <u>Parts – Assembly</u> | <u>Will Fit SN</u> | <u>Remarks</u> |
|------------|-----------------|--|-----------------------------|-------------------------|----------------|
| 1 | WHL-3000 | Hub Assembly Complete (includes spindle) | 4 | | |
| 2 | WHM-7107 | 11.00-22.5 Tire & Wheel Assy. | 4 | | |
| 801 | WHL-3001 | Spindle 3" x 16" | 4 | WHL-3000 | |
| 802 | WHL-3000G | Seal | 4 | WHL-3000 | |
| 803 | WHL-3000C | Inner Cone | 4 | WHL-3000 | |
| 804 | WHL-3000A | Inner Cup | 4 | WHL-3000 | |
| 805 | WHL-3000B | Outer Cup | 4 | WHL-3000 | |
| 806 | WHL-3000D | Outer Cone | 4 | WHL-3000 | |
| 807 | WHL-3000K | Spindle Washer | 4 | WHL-3000 | |
| 808 | WHL-3000J | Spindle Nut | 4 | WHL-3000 | |
| 809 | WHL-3000H | Hub Cap | 4 | WHL-3000 | |
| 810 | PIN-C3-16-32 | Cotter Pin 3/16 x 2" | 4 | | |
| 811 | WHL-3000F | Lug Nut | 32 | WHL-3000 | |
| 812 | WHL-7107 | 22.5 x 8.25 Wheel - 8-8-6 - 3/8" Positive Offset | 4 | | |
| 813 | WHT-7107 | 11R22.5 Recapped Implement Tire | 4 | | |
| 814 | WHL-3000E | Stud Bolt | 32 | WHL-3000 | |
| 815 | WBR-3000K | Wheel Bearing Kit for WHL-3000 Hub & Spindle Assy. | 4 | WHL-3000 | |
| 816 | WHT-1021 | Bias Tube | 4 | WHT-1020 OR WHT-7107 | |

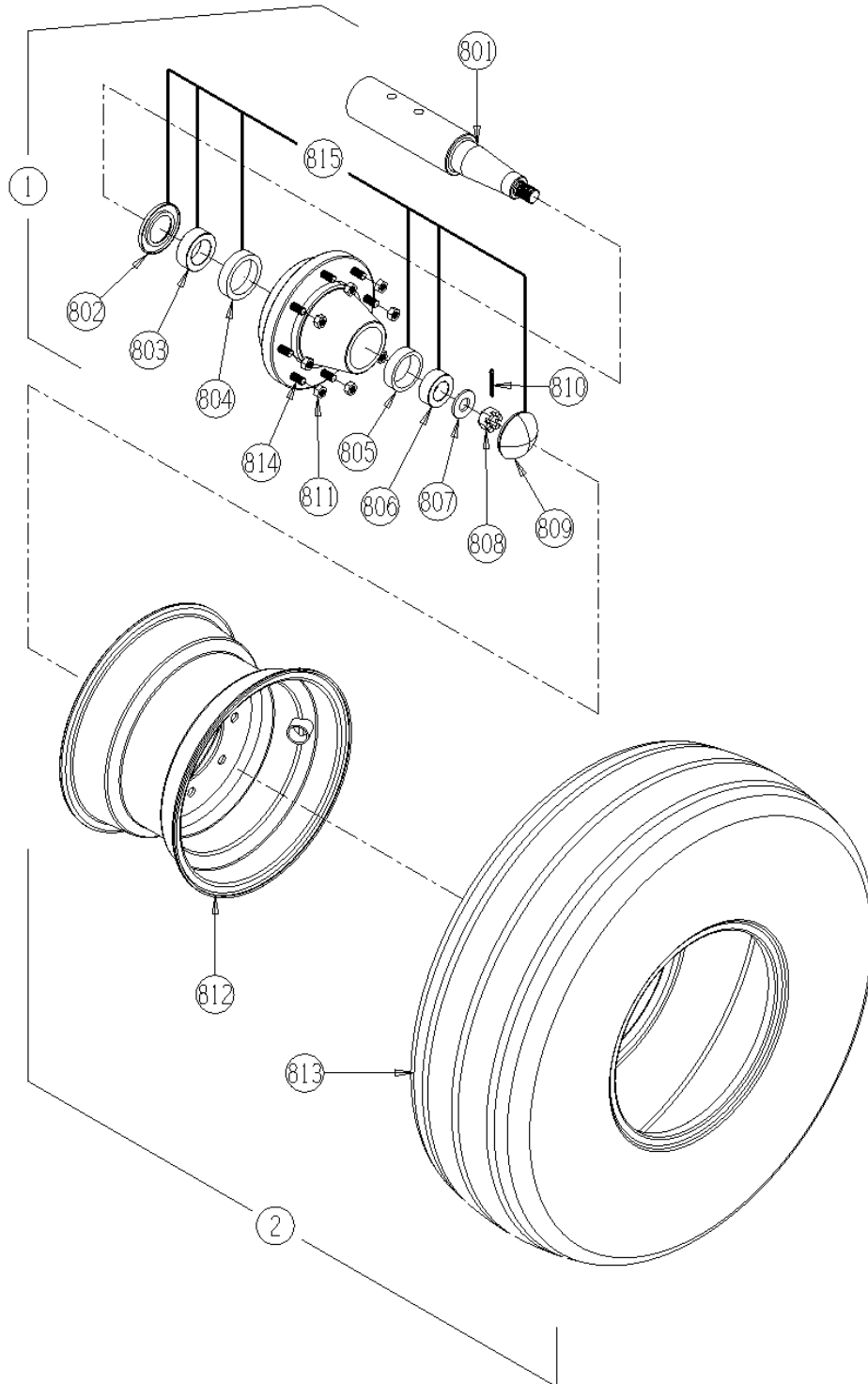
7307-1-12
OPTIONAL WHEEL, HUB & BEARINGS
(TRUCK TIRES)



7307-1-13 Optional - Wheel & Hub (385 Truck Tires)

| <u>Ref</u> | <u>Part No.</u> | <u>Description</u> | <u>Parts – Assembly</u> | <u>Will Fit SN</u> | <u>Remarks</u> |
|------------|-----------------|--|-----------------------------|--------------------|----------------|
| 1 | WHL-3000 | Hub Assembly Complete (includes spindle) | 4 | | |
| 2 | WHM-7106 | 385/65R22.5 Tire & Wheel Assy | 4 | 790 | |
| 801 | WHL-3001 | Spindle 3" x 16" | 4 | WHL-3000 | |
| 802 | WHL-3000G | Seal | 4 | WHL-3000 | |
| 803 | WHL-3000C | Inner Cone | 4 | WHL-3000 | |
| 804 | WHL-3000A | Inner Cup | 4 | WHL-3000 | |
| 805 | WHL-3000B | Outer Cup | 4 | WHL-3000 | |
| 806 | WHL-3000D | Outer Cone | 4 | WHL-3000 | |
| 807 | WHL-3000K | Spindle Washer | 4 | WHL-3000 | |
| 808 | WHL-3000J | Spindle Nut | 4 | WHL-3000 | |
| 809 | WHL-3000H | Hub Cap | 4 | WHL-3000 | |
| 810 | PIN-C3-16-32 | Cotter Pin 3/16 x 2" | 4 | | |
| 811 | WHL-3000F | Lug Nut | 32 | WHL-3000 | |
| 812 | WHL-7106 | 22.5 X 11.75 Wheel 8-8-6 3/8" positive offset | 4 | | |
| 813 | WHT-7106 | Used Truck Tire 385/65R22.5 | 4 | | |
| 814 | WHL-3000E | Stud Bolt | 32 | WHL-3000 | |
| 815 | WBR-3000K | Wheel Bearing Kit for WHL-3000 Hub & Spindle Assy. | 4 | WHL-3000 | |

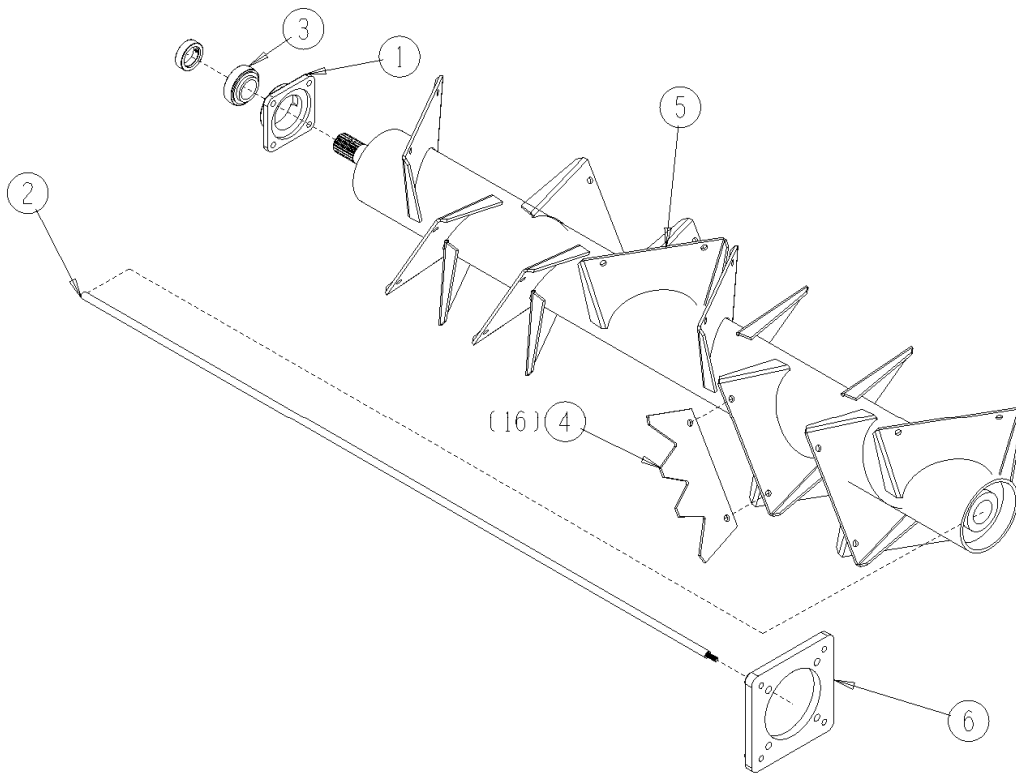
7307-1-13
OPTIONAL WHEEL, HUB & BEARINGS
(385 TRUCK TIRES)



7306-2-7 Main Beater

| <u>Ref</u> | <u>Part No.</u> | <u>Description</u> | <u>Parts – Assembly</u> | <u>Will Fit SN</u> | <u>Remarks</u> |
|------------|-----------------|--------------------------------------|-----------------------------|--------------------|----------------|
| 1 | BR-085-RCJ | RCJ Bearing Housing | 1 | 11001 | |
| 2 | PR45005 | Shaft Inside Drum,Bottom Beater | 1 | | |
| 3 | BR-175-085-I | Bearing, 1 3/4" ID, TS | 1 | | |
| 4 | PR34822 | Beater Blade for Spreader,790 & 1190 | 16 | | |
| 5 | PR45003 | Lower Beater,795 Spreader | 1 | | |

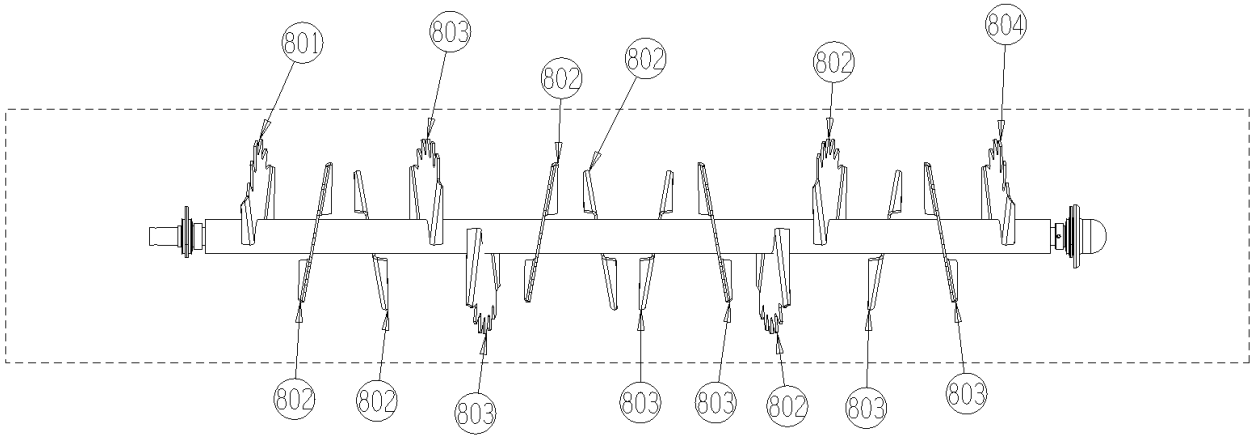
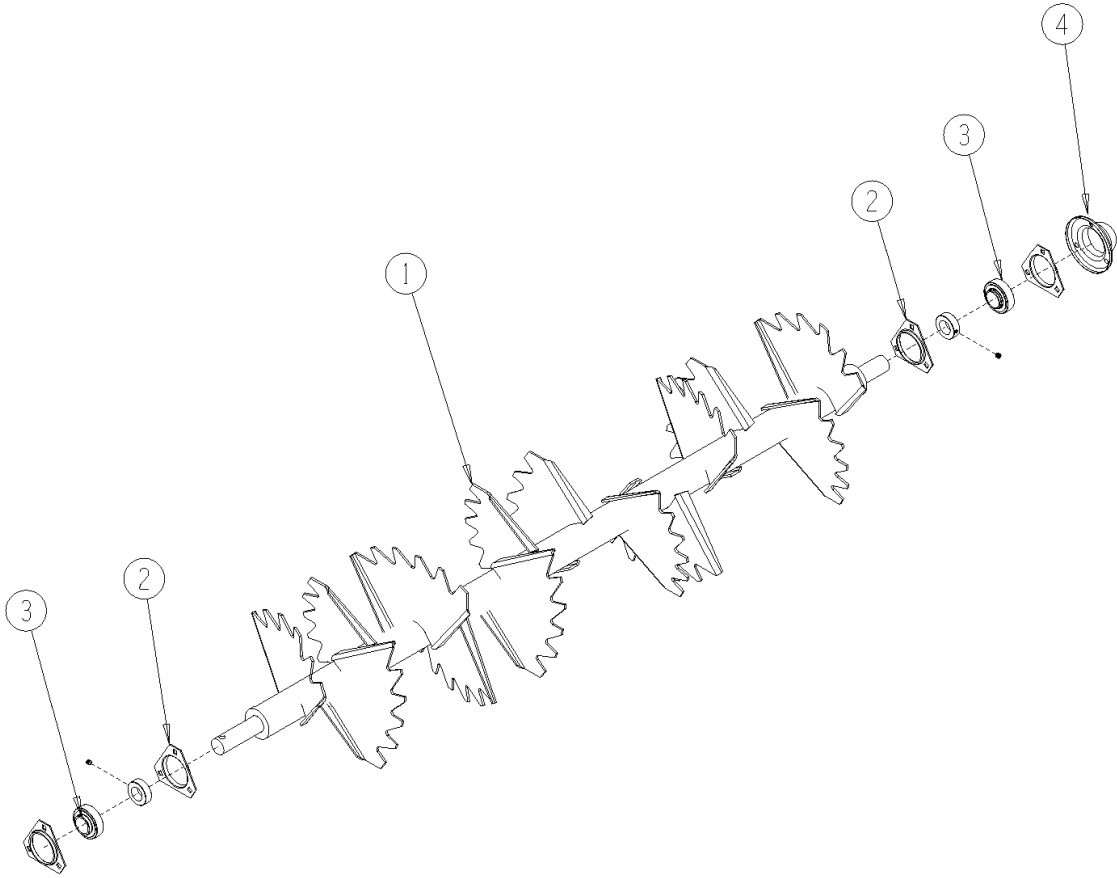
7306-2-7
MAIN BEATER



7306-2-8 Upper Beater

| <u>Ref</u> | <u>Part No.</u> | <u>Description</u> | <u>Parts – Assembly</u> | <u>Will Fit SN</u> | <u>Remarks</u> |
|------------|-----------------|---|-----------------------------|--------------------|----------------|
| 1 | PR45004 | Upper Beater, 795 Spreader | 1 | | |
| 2 | BR-072-MSTR | Stamped Bearing Housing for 1 7/16" Bearing, 3 Bolt | 4 | | |
| 3 | BR-144-072-I | Bearing, 1 7/16" ID, TS | 2 | | |
| 4 | PR28029 | Upper Beater Cap | 1 | | |
| 102 | BL-6-100-C | 3/8 UNC X 1 CARRIAGE BOLT GR5 ZINC | 3 | | |
| 103 | BL-6-150-C | 3/8 UNC X 1 1/2 CARRIAGE BOLT GR5 ZINC | 3 | | |
| 104 | BL-6-SW | 3/8 SAE FW ZC | 9 | | |
| 105 | BL-6-N | 3/8-16 HEX NUTS ZC | 9 | | |
| 106 | BL-6-LW | 3/8 SPLIT LW ZC | 9 | | |
| 801 | PR35262 | Impeller, RH, End, Upper Beater | 0 | | |
| 802 | PR26858 | Impeller, RH, Center, Upper Beater | 0 | | |
| 803 | PR26866 | Impeller, LH, Center, Upper Beater | 0 | | |

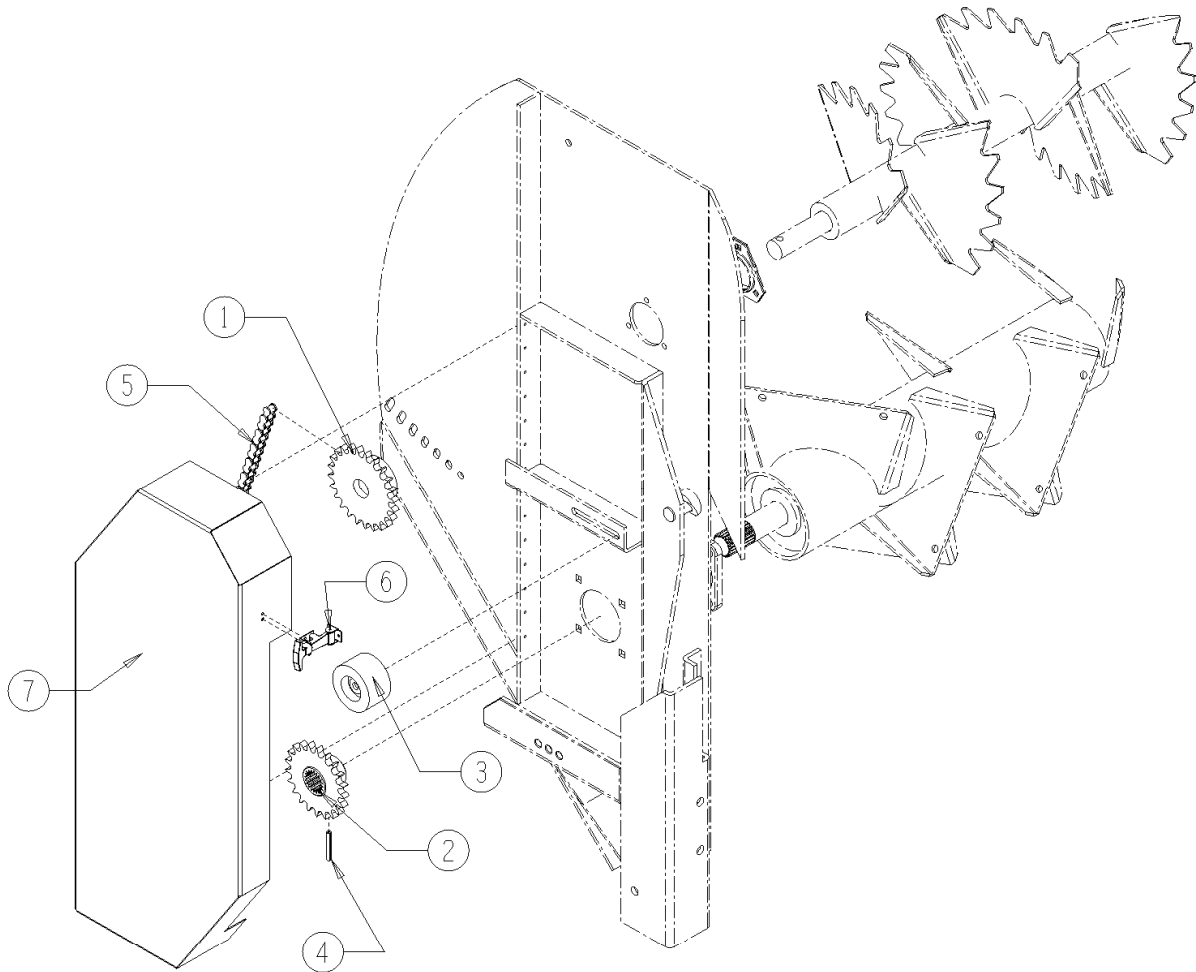
7306-2-8
UPPER BEATER



7306-2-9 Upper Beater Drive Sprockets and Chain

| <u>Ref</u> | <u>Part No.</u> | <u>Description</u> | <u>Parts – Assembly</u> | <u>Will Fit SN</u> | <u>Remarks</u> |
|------------|-----------------|--|-----------------------------|--------------------|----------------|
| 1 | PR39085 | Sprocket Wldmt, Upper Beater, Spreader | 1 | | |
| 2 | PR45060 | Lower Beater Sprocket #60 | 1 | | |
| 3 | RLT-035-228 | Roller 3.5 dia x 2.2 x 1/2" bore, no flange | 1 | | |
| 4 | PIN-5-36 | Roll Pin, 5/16 x 2 1/4 | 1 | | |
| 5 | CH-60H-93 | Roller Chain 93 pitches #60H, UB Drive, 795 w/master | 1 | | |
| 6 | LA-1530 | Medium Rubber T Latch Assembly | 1 | | |

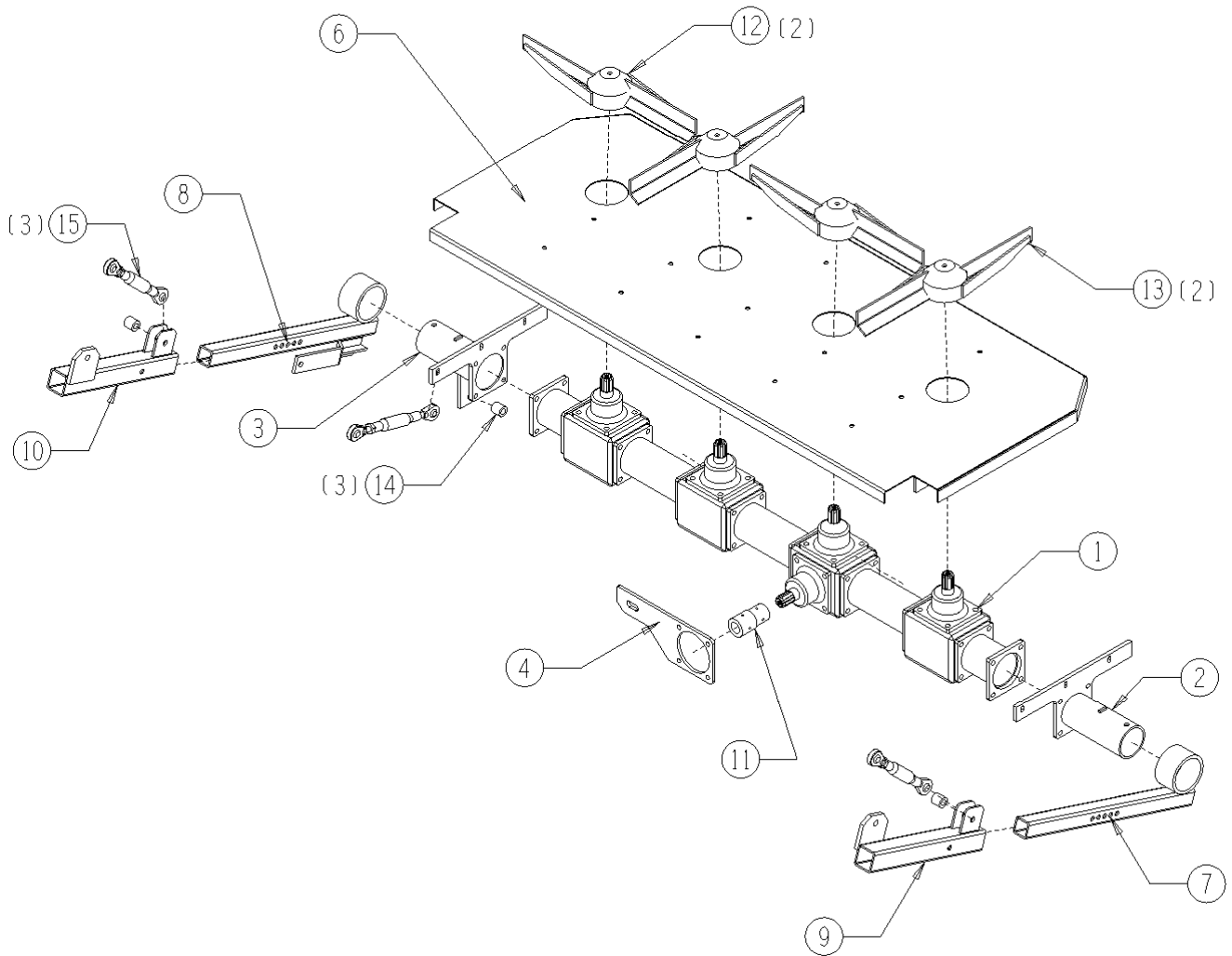
7306-2-9
UPPER BEATER DRIVE SPROCKETS AND CHAIN



7306-2-13 Spinner

| <u>Ref</u> | <u>Part No.</u> | <u>Description</u> | <u>Parts – Assembly</u> | <u>Will Fit SN</u> | <u>Remarks</u> |
|------------|-----------------|---|-----------------------------|-----------------------|----------------|
| 0 | HP-1038 | Gear Lube, 80W90 @ Quart | 11 | Hydra Ram Spreader | |
| 1 | GBX-5-ST10 | Spinner Gearbox | 1 | | |
| 2 | MOU-0072 | Mount,Left Pivot,Spinner,Hydra Push | 1 | MOU-0072 | |
| 3 | MOU-0073 | Mount,Right Pivot,Spinner,Hydra Push | 1 | MOU-0073 | |
| 4 | MOU-0074 | Motor Mount,Spinner Drive | 1 | MOU-0074 | |
| 6 | PAN-0029 | Spinner, Hydra Ram ,Main Panel | 1 | PAN-0029 | |
| 7 | PR45008 | Spinner Inner Arm Left 795 | 1 | | |
| 8 | PR45009 | Arm, Spinner Right Inner 795 | 1 | | |
| 9 | PR45010 | Left Outer Arm Spinner 795 | 1 | | |
| 10 | PR45011 | Right Outer Arm Spinner,795 | 1 | | |
| 11 | PR45017 | Coupler Weldment, Spinner/Gearbox, 795 | 1 | | |
| 12 | SFT-102 | Spinner Paddle, Clockwise Rotation | 2 | SFT-102 | |
| 13 | SFT-103 | Spinner Paddle,Counter Clockwise Rotation | 2 | SFT-103 | |
| 14 | SPA-0022 | Spacer, Spinner Turnbuckle, 795 | 3 | | |
| 15 | TL-03470 | Top Link, Category "0" (11in.-15-1/2in.) | 3 | | |

7306-2-13 SPINNER



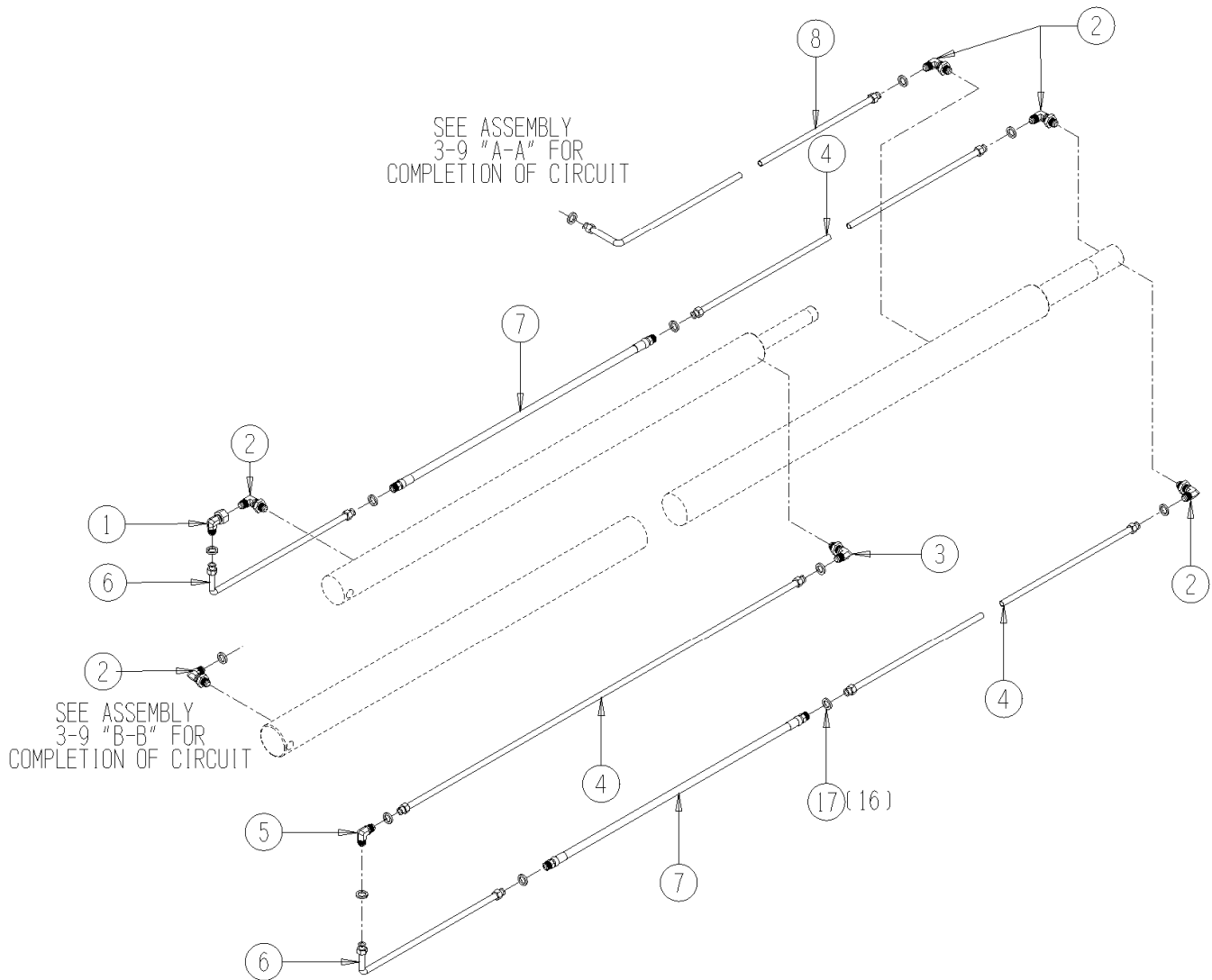
7306-2-14 Driveline, 1000 rpm C/V

| <u>Ref</u> | <u>Part No.</u> | <u>Description</u> | <u>Parts – Assembly</u> | <u>Will Fit SN</u> | <u>Remarks</u> |
|------------|-----------------|--|-----------------------------|--------------------|----------------|
| 0 | BL-6-050-SC | 3/8-16 x 1/2" Knurled Point Set Screw | 2 | | |
| 0 | KEY-6-6-32 | Shaft Key 3/8" x 2 " Square Cut (1018) | 1 | | |
| 0 | PTB-1016 | DriveLine for Hydra-Ram 795 | 1 | | |

7306-3-1 Hydraulics, Control Valve to Push off Cylinders

| <u>Ref</u> | <u>Part No.</u> | <u>Description</u> | <u>Parts – Assembly</u> | <u>Will Fit SN</u> | <u>Remarks</u> |
|------------|-----------------|---|-----------------------------|--------------------|----------------|
| 1 | A-6500-10 | Elbow, 5/8" MJ x 5/8" FJX | 1 | | |
| 2 | A-6801-L-10 | Elbow, Long, 5/8" MJ x 5/8" MSAE | 5 | | |
| 3 | A-6801-10 | Elbow, 5/8" MJ x 5/8" MSAE | 1 | | |
| 4 | H-T7001 | Hyd Tube, Primary/Sec Cylinder, 5/8" Dia. | 3 | | |
| 5 | A-2500-10 | Elbow, 5/8" MJ x 5/8" MJ | 1 | | |
| 6 | H-T7002 | Hyd Tube, Primary to Sec. Cylinder, 5/8" dia. | 2 | | |
| 7 | H8-40-10MJ-10MJ | 1/2" hose 5/8" MJ x 5/8" MJ x 39.75" long | 2 | | |
| 8 | H-T7003 | Hyd Tube, Primary Cylinder, Rear, 5/8" dia. | 1 | | |
| 17 | HW-10 | 5/8" OD Washer for Hydraulic Tube/Hose | 13 | | |
| 19 | HA-1031 | Hydraulic Hose Holder 3/8 | 2 | | |
| 101 | BL-6-200-C | 3/8 UNC X 2 CARRIAGE BOLT GR5 ZINC | 1 | | |
| 102 | BL-6-N | 3/8-16 HEX NUTS ZC | 1 | | |
| 103 | BL-6-LW | 3/8 SPLIT LW ZC | 1 | | |
| 104 | BL-6-SW | 3/8 SAE FW ZC | 1 | | |
| 601 | HY-TRAN | Hytran @ gal | 5 | | |

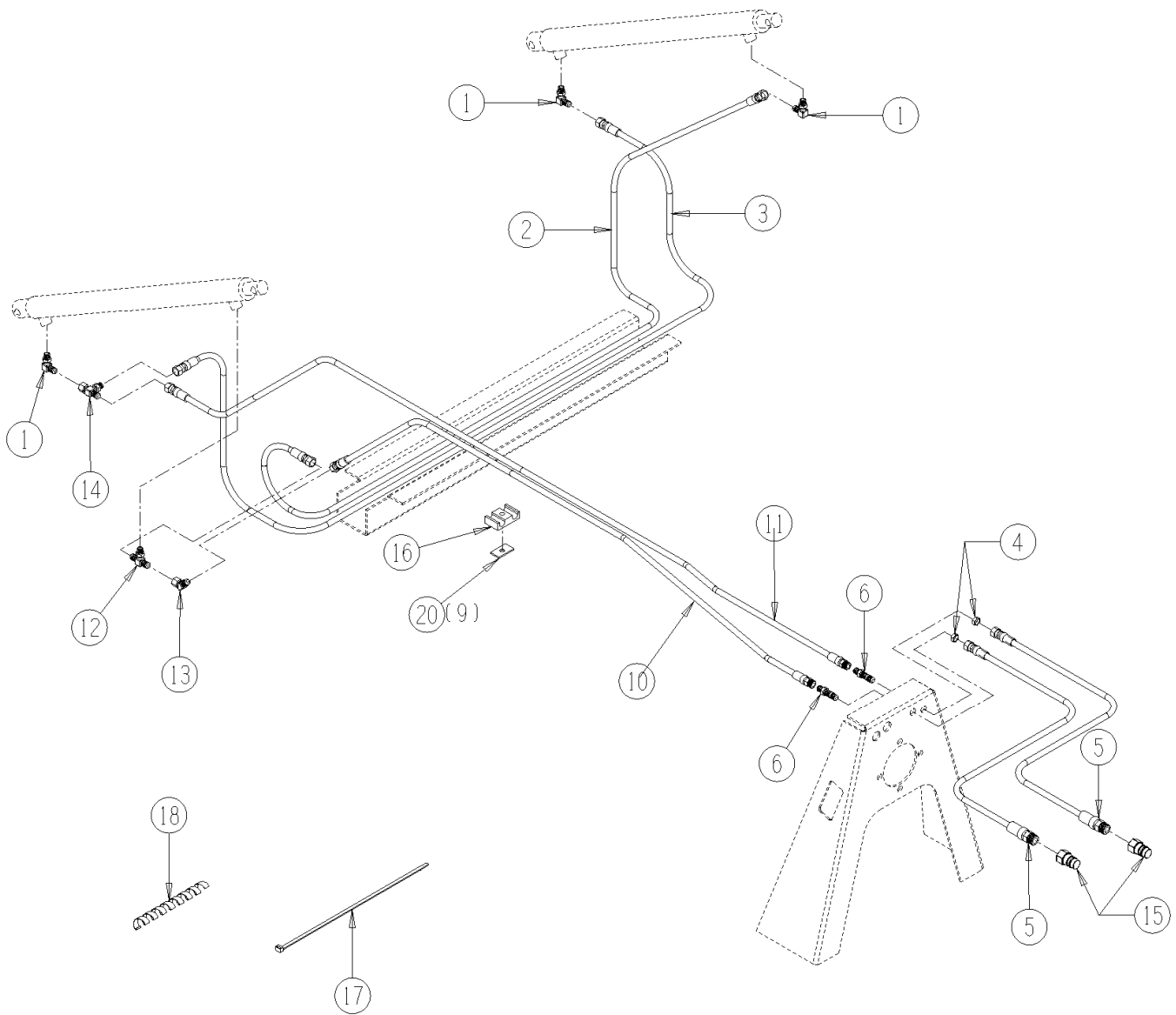
7306-3-1
HYDRAULICS, CONTROL VALVE
TO PUSH OFF CYLINDERS



7306-3-2 Hydraulics, Tractor to Endgate Cylinders

| <u>Ref</u> | <u>Part No.</u> | <u>Description</u> | <u>Parts – Assembly</u> | <u>Will Fit SN</u> | <u>Remarks</u> |
|------------|-----------------|--|-----------------------------|--------------------|----------------|
| 1 | A-6801-6 | Elbow, 3/8" MJ x 3/8" MSAE | 3 | | |
| 2 | H4-153-6FJ-6FJ | 1/4" hose 3/8" FJ x 3/8" FJ x 153.5" long | 1 | | |
| 3 | H4-107-6FJ-6FJ | 1/4" hose 3/8" FJ x 3/8" FJ x 107.5" long | 1 | | |
| 4 | A-306-6 | Lock Nut, Bulkhead, For 3/8" MJIC | 2 | | |
| 5 | H4-75-6FJ-8MP | 1/4" hose 3/8" FJ x 1/2" MP x 75" long | 2 | | |
| 6 | A-2700-6 | Union, Bulkhead, 3/8" MJ x 3/8" MJ | 2 | | |
| 10 | H4-276-6FJ-6FJ | 1/4" hose 3/8" FJ x 3/8" FJ x 276" long | 1 | | |
| 11 | H4-299-6FJ-6FJ | 1/4" hose 3/8" FJ x 3/8" FJ x 299" long | 1 | | |
| 12 | A-6803-6 | Tee, 3/8" MJ x 3/8" MJ x 3/8" MSAE | 1 | | |
| 13 | A-6502-6 | Elbow, 45 , 3/8" MJ x 3/8" FJX | 1 | | |
| 14 | A-6602-6 | Tee, 3/8" MJ x 3/8" FJX x 3/8" MJ | 1 | | |
| 15 | A-QD2010-8-8 | Tractor Quick Coupler, Male, 1/2" w/ FPT | 2 | | |
| 16 | PR34896 | Hose Clamp, 1/4" Hydraulic, 1/2" O.D. Hose | 9 | | |
| 17 | WT-17H | Heavy Duty Wire Tie 17.5" | 6 | | |
| 18 | ELL-12 | 3/4" OD Black Spiral Wrap @ Foot | 2.7 | | |
| 19 | HW-06 | 3/8" OD Washer for Hydraulic Tube/Hose | 8 | | |
| 20 | PR34894 | Support, Clamp, 1/4" Double Hose Clamp | 9 | | |
| 101 | BL-6-200-C | 3/8 UNC X 2 CARRIAGE BOLT GR5 ZINC | 1 | | |
| 102 | BL-6-N | 3/8-16 HEX NUTS ZC | 1 | | |
| 103 | BL-6-LW | 3/8 SPLIT LW ZC | 1 | | |
| 104 | BL-6-SW | 3/8 SAE FW ZC | 1 | | |

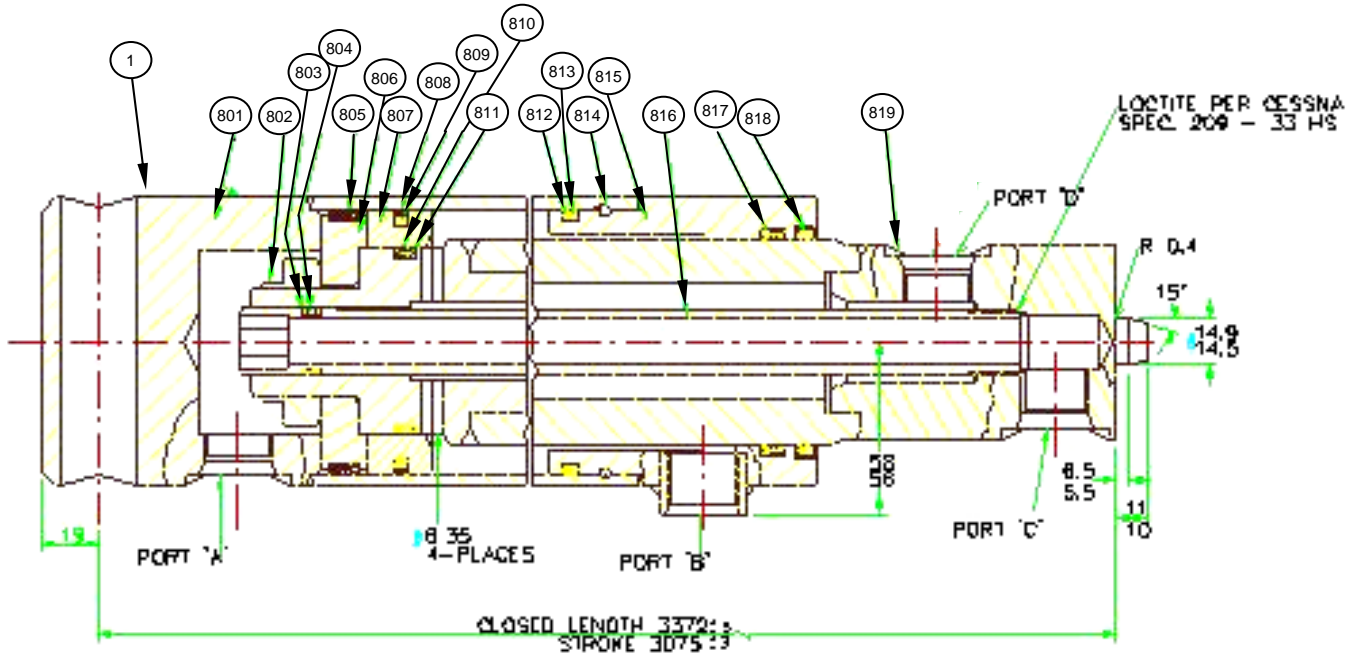
7306-3-2
HYDRAULICS, TRACTOR TO ENDGATE CYLINDERS



7306-3-3 Main Cylinder, Sliding Floor

| <u>Ref</u> | <u>Part No.</u> | <u>Description</u> | <u>Parts – Assembly</u> | <u>Will Fit SN</u> | <u>Remarks</u> |
|------------|-----------------|-----------------------------------|-----------------------------|--------------------|--|
| 1 | PR23131 | Main Cylinder | 1 | | |
| 801 | PR23131-L | Barrel Assy. | 1 | | Reference Only, Special Order |
| 802 | PR23131-M | Locknut - Thin | 1 | | Reference Only, Special Order |
| 803 | PR23131-N | Back Up Washer | 2 | | Reference Only, Special Order |
| 804 | PR23131-O | O Ring | 1 | | Part of Seal Kit, Not Sold Separately |
| 805 | PR23131-P | Wear Ring | 1 | | Part of Seal Kit, Not Sold Separately |
| 806 | PR23131-Q | Piston | 1 | | Reference Only, Special Order |
| 807 | PR23131-R | Piston | 1 | | Reference Only, Special Order |
| 808 | PR23131-A | Piston Ring | 1 | | Reference Only, Special Order |
| 809 | PR23131-B | O-Ring | 1 | | Part of Seal Kit, Not Sold Separately |
| 810 | PR23131-C | O-Ring | 1 | | Part of Seal Kit, Not Sold Separately |
| 811 | PR23131-D | Back-up Washer | 2 | | Part of Seal Kit, Not Sold Separately |
| 812 | PR23131-E | O Ring | 1 | | Part of Seal Kit, Not Sold Separately |
| 813 | PR23131-F | Backup Washer | 1 | | Part of Seal Kit, Not Sold Separately |
| 814 | PR23131-LR | Lock Ring | 1 | | Reference Only, Special Order |
| 815 | PR23131-G | Bearing Assembly | 1 | | Reference Only, Special Order |
| 816 | PR23131-H | Transfer Tube | 1 | | Reference Only, Special Order |
| 817 | PR23131-I | Bearing Seal | 1 | | Part of Seal Kit, Not Sold Separately |
| 818 | PR23131-J | Wiper | 1 | | Part of Seal Kit, Not Sold Separately |
| 819 | PR23131-K | Piston Rod Assy. w/ Transfer Tube | 1 | | Reference Only, Special Order Sold only with PR23131-H Transfer Tube |
| 820 | PR23131-SK | Seal Kit, Main Cylinder, Per Each | 1 | | |

7306-3-3 MAIN CYLINDER (SLIDING FLOOR)

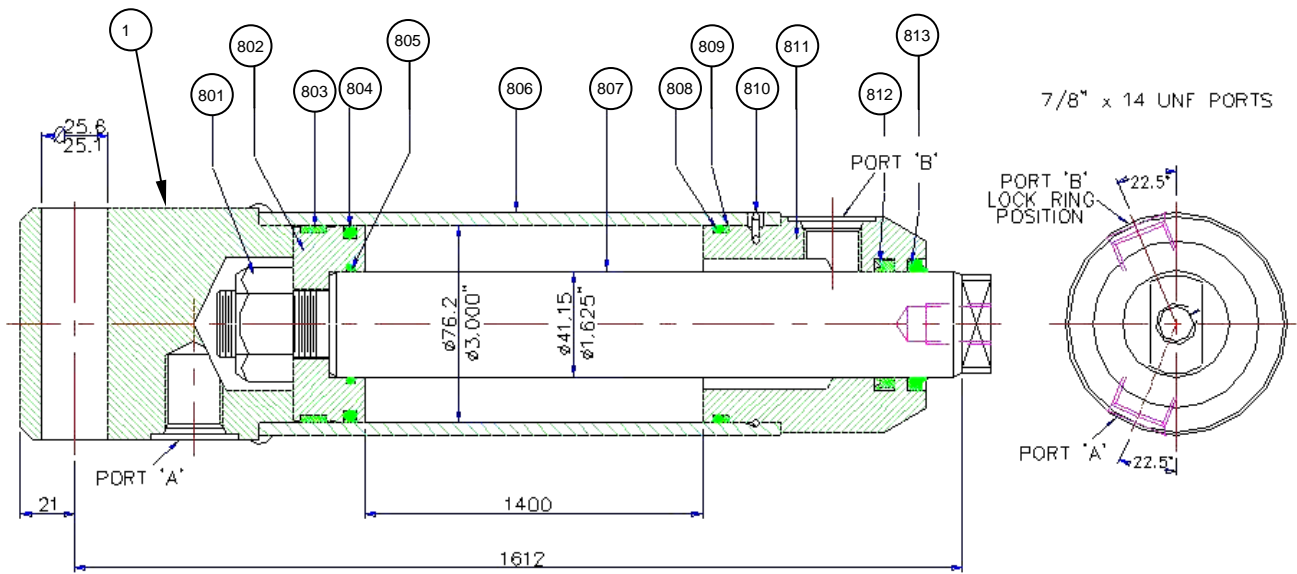


820 Seal Kit

7306-3-4 Secondary Cylinder, Moving Panel

| <u>Ref</u> | <u>Part No.</u> | <u>Description</u> | <u>Parts – Assembly</u> | <u>Will Fit SN</u> | <u>Remarks</u> |
|------------|-----------------|--|-----------------------------|--------------------|---------------------------------------|
| 1 | PR23143 | Secondary Cylinder | 1 | | |
| 801 | PR23143-M | 1" BSF Nut | 1 | | Reference Only, Special Order |
| 802 | PR23143-L | P/Head | 1 | | Reference Only, Special Order |
| 803 | PR23143-A | P/Seal | 1 | | Part of Seal Kit, Not Sold Separately |
| 804 | PR23143-B | O-Ring | 1 | | Part of Seal Kit, Not Sold Separately |
| 805 | PR23143-C | Rod Seal | 1 | | Part of Seal Kit, Not Sold Separately |
| 806 | PR23143-I | Cylinder Assy | 1 | | Reference Only, Special Order |
| 807 | PR23143-J | P/Rod | 1 | | Reference Only, Special Order |
| 808 | PR23143-D | O-Ring | 1 | | Part of Seal Kit, Not Sold Separately |
| 809 | PR23143-E | Back Up Ring | 1 | | Part of Seal Kit, Not Sold Separately |
| 810 | PR23143-H | Lock Ring | 1 | | Part of Seal Kit, Not Sold Separately |
| 811 | PR23143-K | Gland Bearing | 1 | | Reference Only, Special Order |
| 812 | PR23143-F | Rod Seal | 1 | | Part of Seal Kit, Not Sold Separately |
| 813 | PR23143-G | Wiper | 1 | | Part of Seal Kit, Not Sold Separately |
| 814 | PR23143-SK | Seal Kit, Secondary Cylinder, Per Each | 1 | | |

7306-3-4
 SECONDARY CYLINDER (MOVING PANEL)

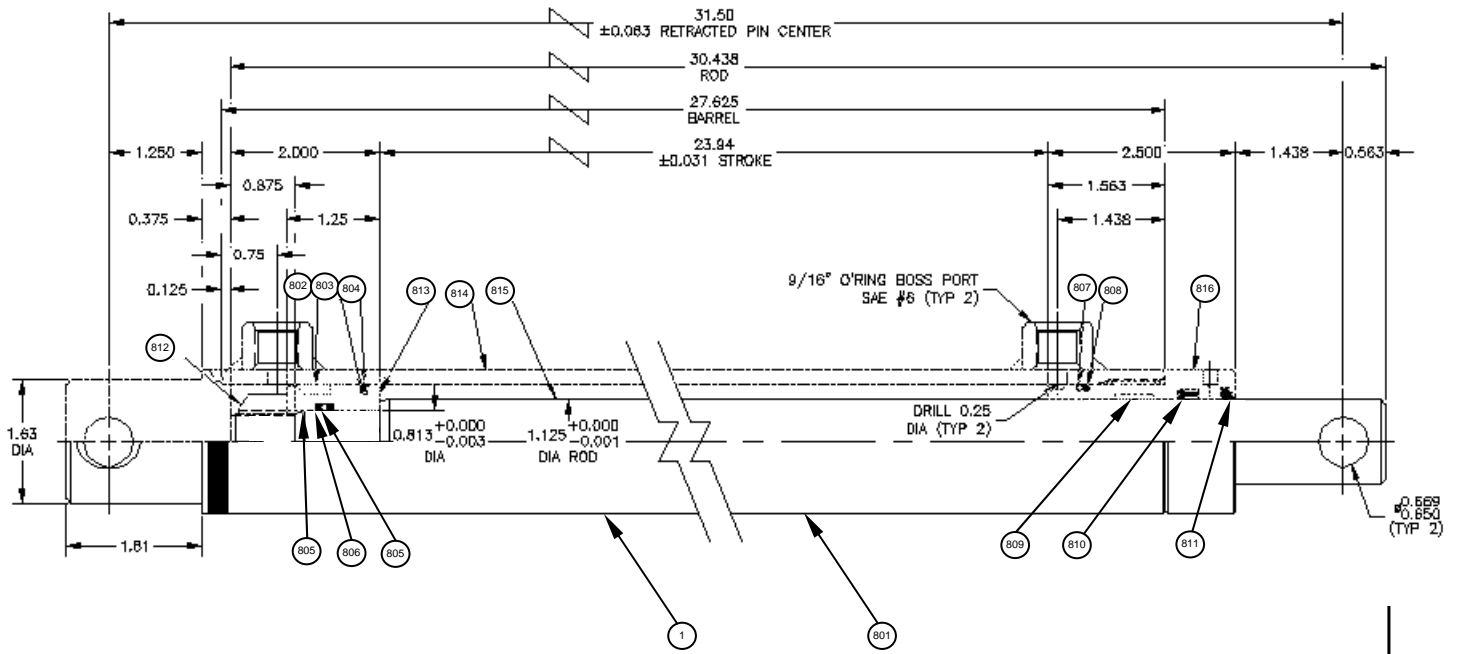


814 Seal Kit

7306-3-5 Endgate Lift Cylinder

| <u>Ref</u> | <u>Part No.</u> | <u>Description</u> | <u>Parts – Assembly</u> | <u>Will Fit SN</u> | <u>Remarks</u> |
|------------|-----------------|--------------------------------------|-----------------------------|--------------------|---------------------------------------|
| 1 | PR39068 | Cylinder, Endgate, 1.5 bore | 2 | | |
| 802 | PR39068-A | Wear Ring | 1 | | Part of Seal Kit, Not Sold Separately |
| 803 | PR39068-B | TFE Seal | 1 | | Part of Seal Kit, Not Sold Separately |
| 804 | PR39068-C | O Ring | 1 | | Part of Seal Kit, Not Sold Separately |
| 805 | PR39068-D | Back-Up Ring | 2 | | Part of Seal Kit, Not Sold Separately |
| 806 | PR39068-E | O Ring | 1 | | Part of Seal Kit, Not Sold Separately |
| 807 | PR39068-F | O Ring | 1 | | Part of Seal Kit, Not Sold Separately |
| 808 | PR39068-G | Back-Up Ring | 1 | | Part of Seal Kit, Not Sold Separately |
| 809 | PR39068-H | Wear Ring | 1 | | Part of Seal Kit, Not Sold Separately |
| 810 | PR39068-I | Loaded U-Cup | 1 | | Part of Seal Kit, Not Sold Separately |
| 811 | PR39068-J | Rod Wiper | 1 | | Part of Seal Kit, Not Sold Separately |
| 812 | PR39068-K | Locknut | 1 | | Reference Only, Special Order |
| 813 | PR39068-L | Piston | 1 | | Reference Only, Special Order |
| 814 | PR39068-M | Barrel Assembly | 1 | | Reference Only, Special Order |
| 815 | PR39068-N | Rod | 1 | | Reference Only, Special Order |
| 816 | PR39068-O | Internal Head | 1 | | Reference Only, Special Order |
| 817 | PR39068-SK | Seal Kit, Endgate Cylinder, Per Each | 1 | | |

7306-3-5 ENDGATE LIFT CYLINDER

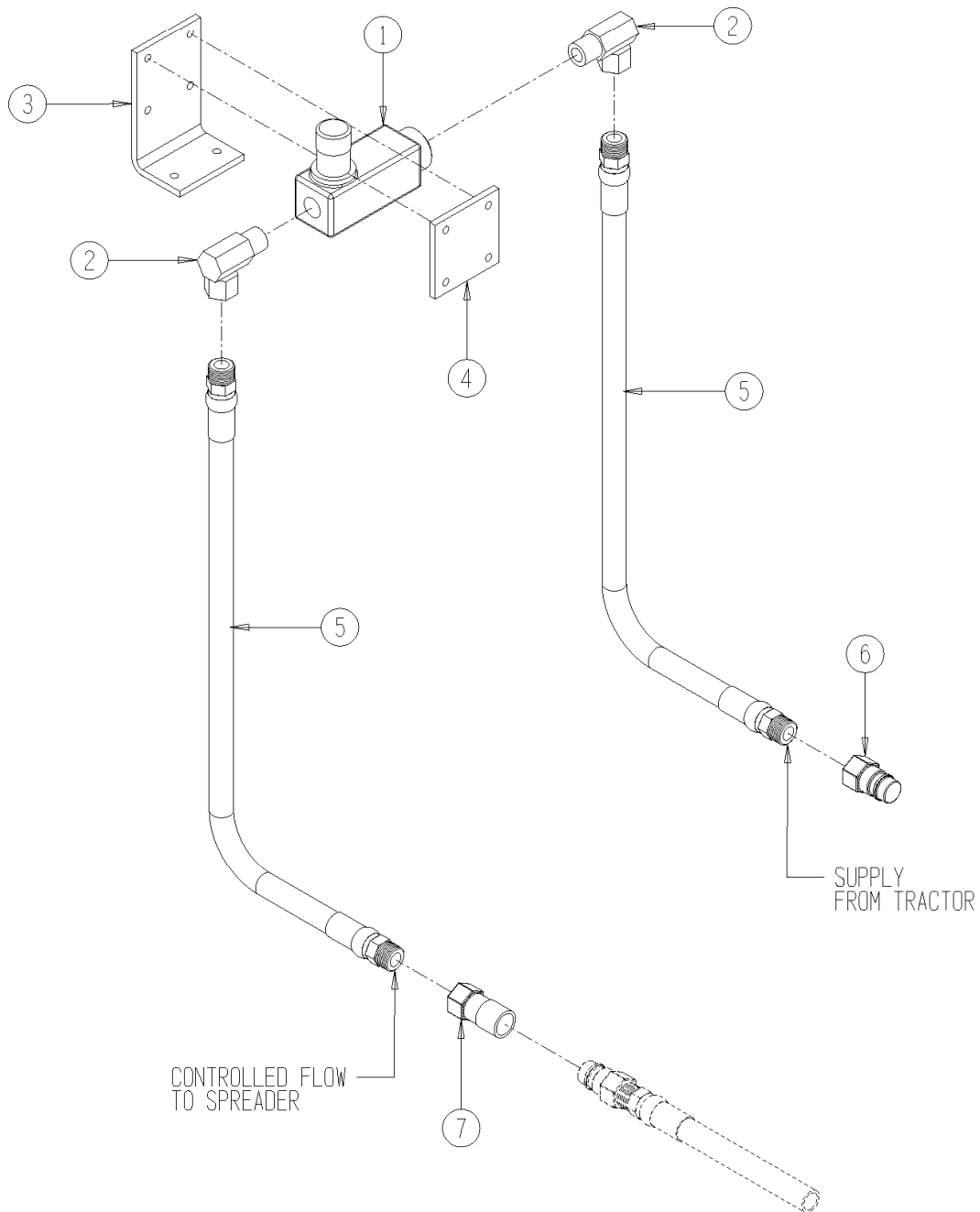


817 Seal Kit

7306-3-6 Optional Control Valve, Closed Center Hyd. Sys.

| <u>Ref</u> | <u>Part No.</u> | <u>Description</u> | <u>Parts – Assembly</u> | <u>Will Fit SN</u> | <u>Remarks</u> |
|------------|-----------------|---|-----------------------------|--------------------|----------------|
| 1 | HVE-1023 | Speed Control Valve | 1 | | |
| 2 | A-1501-8-8 | 1/2 MP x 1/2 FPX90 | 2 | | |
| 3 | MOU-0015 | Mount, Control Valve, Closed Center, Spreader | 1 | | |
| 4 | MOU-0016 | Mount, Mating Plate, Control Valve, Closed Center | 1 | | |
| 5 | H8-70-8MP-8MP | 1/2 in hose 1/2MP x 1/2MP x 70 in long | 2 | | |
| 6 | A-QD2010-8-8 | Tractor Quick Coupler, Male, 1/2" w/ FPT | 1 | | |
| 7 | A-QD2050-8-8 | Tractor Quick Coupler, Female, 1/2" w/ FPT | 1 | | |
| 101 | BL-4-275-H | 1/4-20 X 2 3/4 HEX CAP G5 ZC | 4 | | |
| 102 | BL-4-LN | 1/4-20 HEX LN NE ZC | 6 | | |
| 103 | BL-4-FW | 1/4 USS FW ZC | 12 | | |
| 104 | BL-4-175-H | 1/4-20 X 1 3/4 HEX CAP G5 ZC | 2 | | |

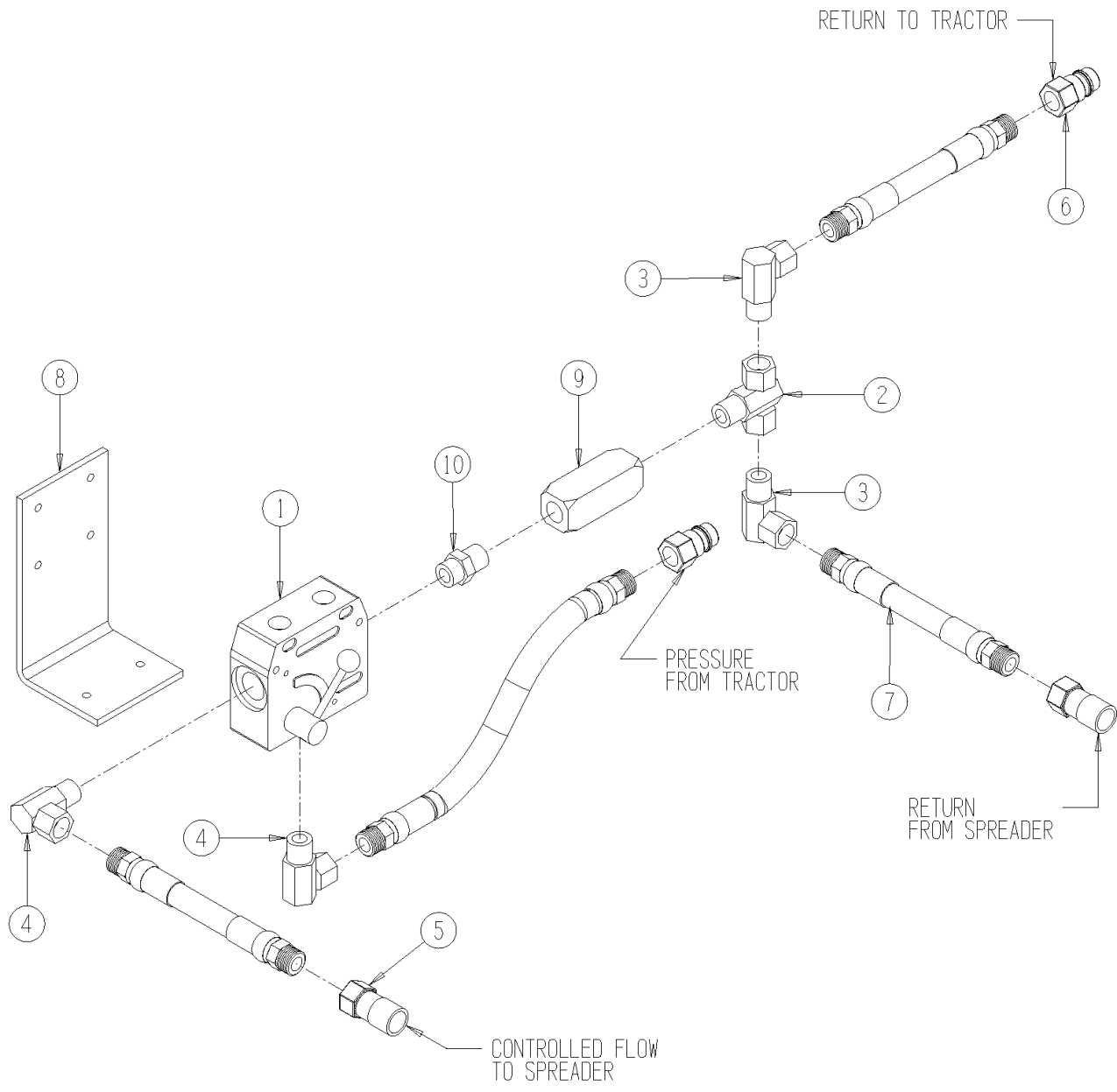
7306-3-6
CONTROL VALVE, CLOSED CENTER



7306-3-7 Optional Control Valve, Open Center Hyd. Sys.

| <u>Ref</u> | <u>Part No.</u> | <u>Description</u> | <u>Parts – Assembly</u> | <u>Will Fit SN</u> | <u>Remarks</u> |
|------------|-----------------|---|-----------------------------|--------------------|----------------|
| 1 | HV-FC5510 | Flow Control | 1 | | |
| 2 | A-1601-8-8-8 | 1/2 MP x 1/2 FPX x 1/2 FPX Tee | 1 | | |
| 3 | A-1501-8-8 | 1/2 MP x 1/2 FPX90 | 2 | | |
| 4 | A-6901-10-8 | 10 SAE x 1/2 FPX90 , Forged | 2 | | |
| 5 | A-QD2050-8-8 | Tractor Quick Coupler, Female, 1/2" w/ FPT | 2 | | |
| 6 | A-QD2010-8-8 | Tractor Quick Coupler, Male, 1/2" w/ FPT | 2 | | |
| 7 | H8-70-8MP-8MP | 1/2 in hose 1/2MP x 1/2MP x 70 in long | 4 | | |
| 8 | MOU-0014 | Mount, Control Valve, Open Center, Spreader | 1 | | |
| 9 | HV-CKV-800S | 1/2" Parker Check Valve | 1 | | |
| 10 | A-6401-10-8 | 10 SAE x 1/2 MPT Male | 1 | | |
| 101 | BL-4-175-H | 1/4-20 X 1 3/4 HEX CAP G5 ZC | 4 | | |
| 102 | BL-4-LN | 1/4-20 HEX LN NE ZC | 4 | | |
| 103 | BL-4-FW | 1/4 USS FW ZC | 4 | | |

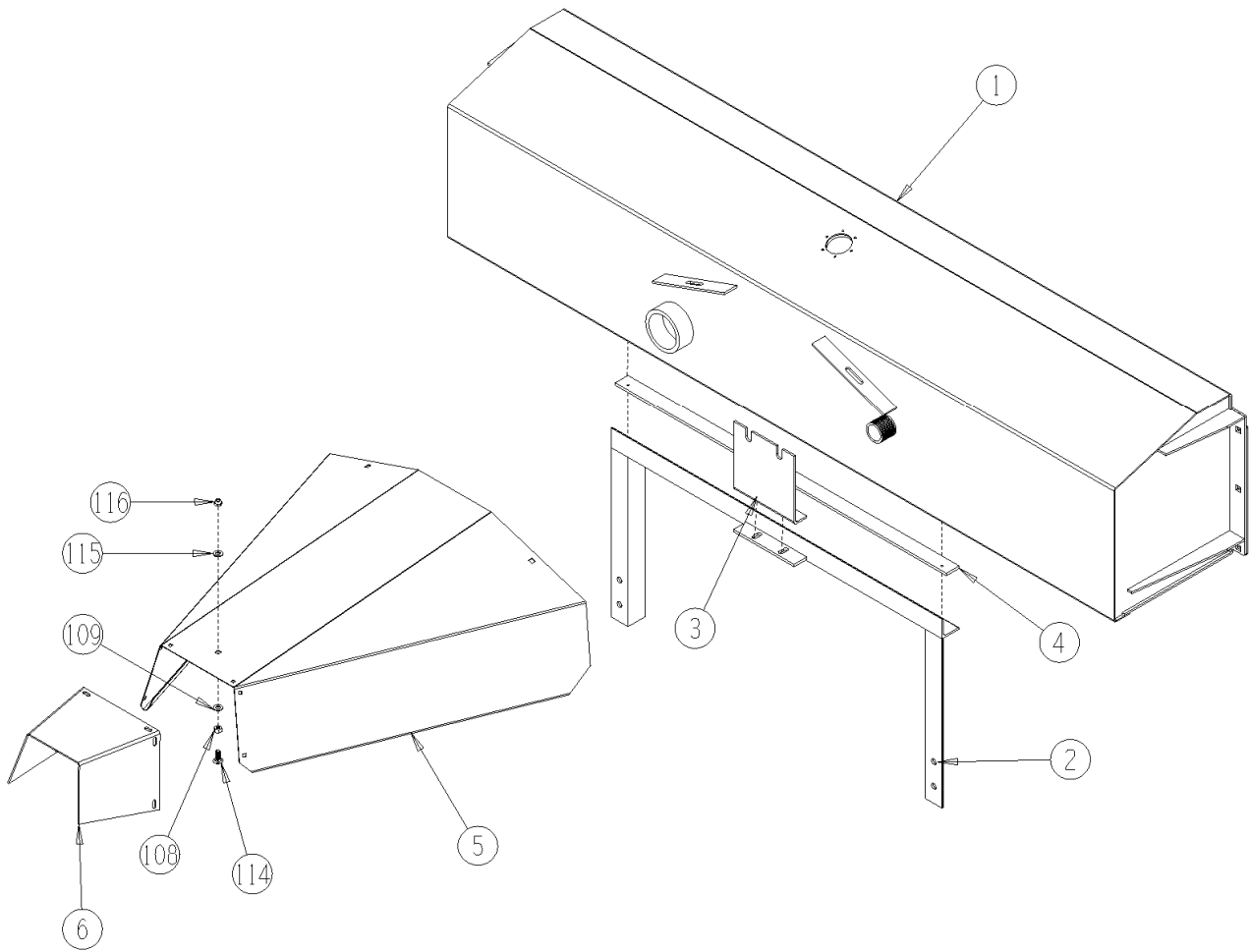
7306-3-7
CONTROL VALVE, OPEN CENTER



7306-3-8 Oil Tank Assy.

| <u>Ref</u> | <u>Part No.</u> | <u>Description</u> | <u>Parts – Assembly</u> | <u>Will Fit SN</u> | <u>Remarks</u> |
|------------|-----------------|---|-----------------------------|--------------------|---|
| 1 | PR45007 | Oil Tank , 795Spreader | 1 | | |
| 2 | PR45012 | Mount,Tank,Pump Support | 1 | | |
| 3 | PR45013 | Rear Pump Mount | 1 | | |
| 4 | PR45014 | Tank Wear Guard,795 | 1 | | |
| 5 | PR45019 | Shield, Front, Hyd. Pump | 1 | | |
| 6 | PR45025 | Shield, Belting, PTO Cover | 1 | | |
| 101 | BC-1032-FS | 10-32 x 1 1/4" bolts Flat Socket Head | 4 | | |
| 102 | BL-1032-N | 10-32 HH Machine Screw Nut Zinc | 4 | | |
| 103 | BL-10-FWSS | 5/8 USS FW SS | 12 | | |
| 104 | BL-10-LW | 5/8 SPLIT LW ZC | 2 | | |
| 105 | BL-10-N | 5/8-11 HEX FIN NUTS ZC | 2 | | |
| 106 | BL-6-125-C | 3/8 UNC X 1 1/4 CARRIAGE BOLT GR5 ZINC | 2 | | |
| 107 | BL-6-LW | 3/8 SPLIT LW ZC | 2 | | |
| 108 | BL-6-N | 3/8-16 HEX NUTS ZC | 2 | | |
| 109 | BL-6-SW-8 | 3/8 SAE FW G8 ,Yellow Zinc, Thru Hardened | 2 | | |
| 110 | BL-8-125-H | 1/2-13 X 1 1/4 HEX CAP G5 ZC | 10 | | |
| 111 | BL-8-FW | 1/2 USS FW ZC | 14 | | |
| 112 | BL-8-FW-8 | 1/2 FLAT WASHER G8 ZC | 6 | | |
| 113 | BL-8-LN | 1/2-13 HEX LOCK NUT NYLON INSERT ZC | 10 | | |
| 114 | BL-6-100-C | 3/8 UNC X 1 CARRIAGE BOLT GR5 ZINC | 1 | | |
| 115 | BL-6-SW | 3/8 SAE FW ZC | 1 | | |
| 116 | BL-6-N-A | Nut, 3/8"-16, Acorn Hex, Nickel Plated Steel | 1 | | |
| 601 | HA-0002 | Filler-Strainer Breather Cap Assembly | 1 | | |
| 602 | HA-1006-3 | Hydraulic Suction Screens, 3" Male NPT x 2" Female NPT | 1 | 19501-19903 | |
| 603 | HA-1007 | Hydraulic, Magnetic Drain Plug | 1 | 11101- | |
| 604 | HA-1029 | Hydraulic Fluid Filter | 1 | | |
| 605 | HP-1031 | Hydraulic oil (per gal.) | 63 | | ISO grade 46 with anti-wear and anti-foam properties. Harvesters, Approx. 140 gal |

7306-3-8
OIL TANK



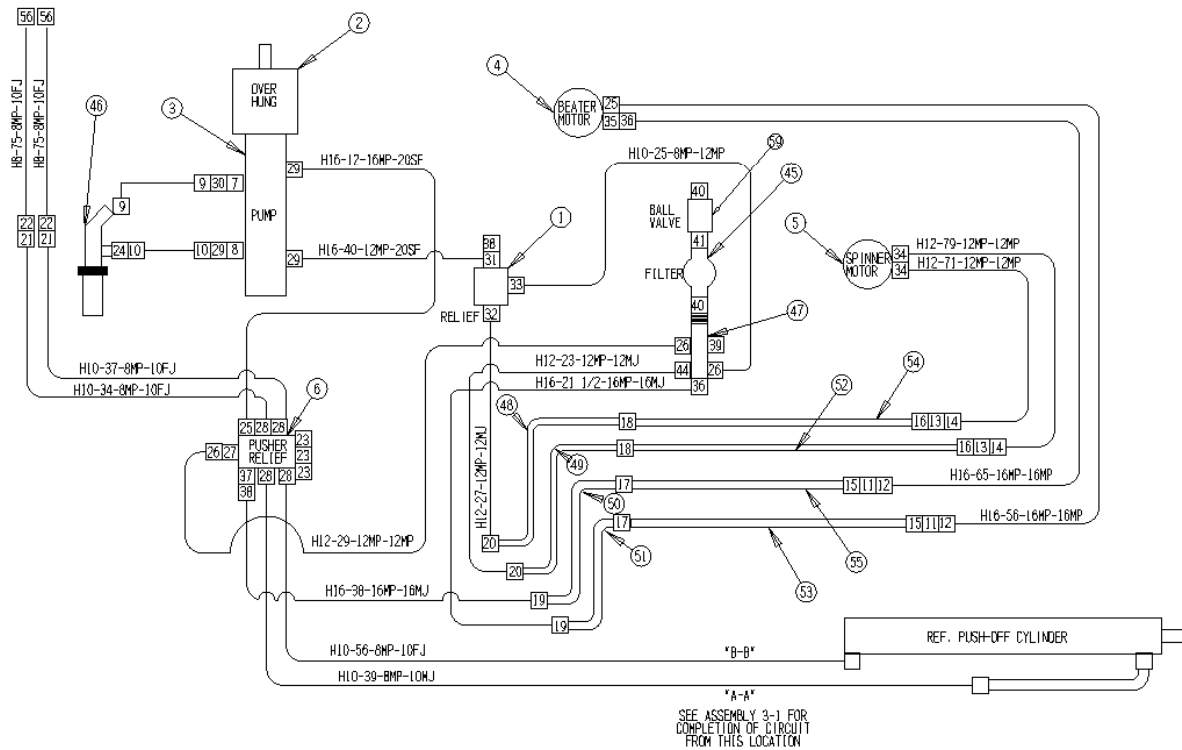
7306-3-9 Hydraulics, Drive System

| <u>Ref</u> | <u>Part No.</u> | <u>Description</u> | <u>Parts – Assembly</u> | <u>Will Fit SN</u> | <u>Remarks</u> |
|------------|--------------------|--|-----------------------------|--------------------|--|
| 0 | BL-8-650-H | Grade 5 Bolt 1/2 x 6 1/2 | 2 | | |
| 0 | BL-8-750-H | 1/2 x 7 1/2 HEX BOLT | 4 | | |
| 0 | BL-8-FW | 1/2 USS FW ZC | 12 | | |
| 0 | BL-8-LN | 1/2-13 HEX LOCK NUT NYLON INSERT ZC | 6 | | |
| 0 | EL-1279 | Grommet, STT, TL60, TL#60700 | 4 | | |
| 0 | H10-25-8MP-12MP | 5/8 Hose x 1/2MP x 3/4MP x 25 in. Long | 1 | | |
| 0 | H10-34-8MP-10FJ | 5/8 in hose 1/2MP X 5/8FJIC 34 in long | 1 | | |
| 0 | H10-37-8MP-10FJ | 5/8 in hose 1/2MP X 5/8FJIC 37 in long | 1 | | |
| 0 | H10-39-8MP-10MJ | 5/8 in hose 1/2MP X 5/8MJIC 39 in long | 1 | | |
| 0 | H10-56-8MP-10FJ | 5/8 Hose 5/8 MP x 5/8FJIC x 56in. Long | 1 | | |
| 0 | H12-23-12MP-12MJ | 3/4 in hose 3/4MP X 3/4MJIC 23 in long | 1 | | |
| 0 | H12-27-12MP-12MJ | 3/4 in hose 3/4MP X 3/4MJIC 27 in long | 1 | | |
| 0 | H12-29-12MP-12MP | 3/4 in. hose 29 in. 3/4 x 3/4 | 1 | | |
| 0 | H12-71-12MP-12MP | 3/4 in hose 3/4MP x 3/4MP x 71 in long | 1 | | |
| 0 | H12-79-12MP-12MP | 3/4 in hose 3/4MP x 3/4MP x 79 in long | 1 | | |
| 0 | H12-87-12MP-12MJ | 3/4 in hose 3/4MP x 3/4MJ x 87 in long | 1 | | |
| 0 | H16-12-16MP-20SF | 1 in.Hose x 1MP x 1-1/4SF x 12 in.Long | 1 | | |
| 0 | H16-22-16MP-16MJ | 1 in hose 1MP X 1MJIC 22 in long | 1 | | |
| 0 | H16-38-16MP-16MJ | 1 in hose 1MP X 1MJIC 38 in long | 1 | | |
| 0 | H16-40-12MP-20SF | 1in.Hose x 3/4MP x 1-1/4SF x 40 in. Long | 1 | | |
| 0 | H16-65-16MP-16MP | 1 in hose 1MP x 1MP x 65 in long | 1 | | |
| 0 | H16-74-16MP-16MP | 1 in hose 1MP x 1MP x 74 in long | 1 | | |
| 0 | H32-S | 2" Suction Hose, Nitrile/Neoprene, Black | 0 | | |
| 0 | H8-75-8MP-10FJ | 1/2" hose 1/2" MP x 5/8" FJ x 75" long | 2 | | |
| 0 | HOS-150-1 | 1-1/2" I.D., Hose, Suction, Nitrile/Neoprene, Black | 0 | | |
| 0 | HW-12 | #12 OD Washer for Hydraulic Tube/Hose | 8 | | |
| 0 | HW-16 | #16 OD Washer for Hydraulic Tube/Hose | 8 | | |
| 1 | HV-RV-1H | Relief valve w/ SAE #12 ports | 1 | | |
| 2 | HP-1003 | Overhung Load Adapter (Modified to Pik Rite Standards) | 0 | 11001 | |
| 2 | HP-1003-XSP | Overhung Load Adapter, Splined Int, Extended External | 1 | | No Paint - Pik Rite will paint in house. |
| 3 | HP-257-17-17-22-SP | Hydraulic Pump | 1 | 11001 | |
| 3 | HP-257-175-175-225 | Hydraulic Pump | 0 | | No Paint - Pik Rite will paint in house. |

| | | | | |
|----|-------------------|--|---|-----------------------|
| 4 | HM-400-TC | Hydraulic Motor, 2 1/8 -16 splined shaft | 1 | Seal Kit # TCI-SKMLHV |
| 5 | HM-200-TC | Hydraulic Motor | 1 | Seal Kit # TCI-SKMLHT |
| 6 | HV-60454 | Manifold with Valves | 1 | |
| 7 | A-4456-32-32 | Flange Nipple, 2" 45 | 1 | |
| 8 | A-4459-20-20 | Flange Nipple, 1 1/4" 90 | 1 | |
| 9 | CL-201SD | Two Bolt Hose Clamp, 2" Hose, Super Duty, Galvanized | 2 | |
| 10 | CL-125 | 1 1/4" Hose Clamp, Heavy Duty T-Bar, 1.57 - 1.69" | 2 | 40-43 mm |
| 17 | A-2403-16 | Union, 1" MJ x 1" MJ | 2 | |
| 18 | A-2403-12 | Union, 3/4" MJ x 3/4" MJ | 2 | |
| 19 | A-6500-16 | 90 Elbow, 1" MJ x 1" FJX | 2 | |
| 20 | A-6500-12 | 90 Elbow, 3/4" MJ x 3/4" FJX | 2 | |
| 21 | A-2700-10 | Union, Bulkhead, 5/8" MJ x 5/8" MJ | 2 | |
| 22 | A-306-10 | Lock Nut, Bulkhead, For 5/8" MJIC | 2 | |
| 24 | A-4444-20-20 | 1 1/4" Male Pipe Hose Barb | 1 | |
| 25 | A-6901-16-16 | 16 SAE x 1" FPX 90 , Forged | 2 | |
| 26 | A-1501-12-12 | 3/4" MP x 3/4" FPX 90 | 3 | |
| 27 | A-6405-16-12 | 16 SAE x 3/4" FP | 1 | |
| 28 | A-6901-10-8 | 10 SAE x 1/2" FPX90 , Forged | 4 | |
| 29 | A-SFK-20 | 1 1/4" Split Flange Kit | 3 | |
| 30 | A-SFK-32 | 2" Split Flange Kit | 1 | |
| 31 | A-6901-12-12-4SAE | 12 SAE x 3/4" FPX 90 w/4 SAE Port, Forged | 1 | |
| 32 | A-6901-12-12 | 12 SAE x 3/4" FPX 90 , Forged | 1 | |
| 33 | A-6901-12-8 | 12 SAE x 1/2" FPX 90 , Forged | 1 | |
| 34 | A-6900-12-12 | 12 SAE x 3/4" FPX | 2 | |
| 35 | A-6900-16-16 | 16 SAE x 1" FPX | 1 | |
| 36 | A-1501-16-16 | 1" MP x 1" FPX 90 | 2 | |
| 37 | A-6901-16-16-4SAE | 16 SAE x 1" FPX 90 w/4 SAE Port, Forged | 1 | |
| 38 | HA-1004-4 | Test Point Plug #4 SAE Thread | 2 | |
| 39 | AP-8 | 1/2" Pipe Plug | 1 | |
| 40 | ASL-24C | 1 1/2", Street Elbow, Domestic Only, Cast | 2 | |
| 41 | AN-24-48 | 1 1/2" Black Nipple x 3" Long | 1 | |
| 44 | A-1404-12-12 | 3/4" MP x 3/4" FPX | 1 | |
| 45 | HA-1030 | Filter Head, Single, Spin-On, 5.1 Dia, 1 1/2" NPT | 1 | |
| 46 | PR45016 | Manifold, Oil Resv, 795 | 1 | |
| 47 | PR45018 | Manifold Weldment, Oil, 795 | 1 | |
| 48 | H-T45003 | .75 Stainless Steel Tube (795 Spreader) | 1 | H-T45003 |

| | | | | |
|----|--------------|--|---|----------|
| 49 | H-T45005 | .75 Stainless Steel Tube (795 Spreader) | 1 | H-T45005 |
| 50 | H-T45002 | 1.00 Stainless Steel Tube (795 Spreader) | 1 | H-T45002 |
| 51 | H-T45004 | 1.00 Stainless Steel Tube (795 Spreader) | 1 | H-T45004 |
| 52 | H-T45001 | .75 Stainless Steel Tube (795 Spreader) | 1 | H-T45001 |
| 53 | H-T45000 | 1.00 Stainless steel tube (795 Spreader) | 1 | H-T45000 |
| 54 | H-T45008 | .75 Stainless steel tube (795 Spreader) | 1 | |
| 55 | H-T45009 | 1.00 Stainless steel tube (795 Spreader) | 1 | |
| 56 | A-QD2010-8-8 | Tractor Quick Coupler, Male, 1/2" w/ FPT | 2 | |
| 57 | HA-1071-H | Hydra-zorb Tube Clamp 1" (3 pc.) | 6 | 19401- |
| 58 | HA-1072-H | Hydra-zorb Tube Clamp 3/4" (3 pc.) | 6 | 19401- |
| 59 | VLV-150-B | Valve, Ball, 1½", Full Port | 1 | |

7306-3-9 HYDRAULIC DRIVE ASSEMBLY



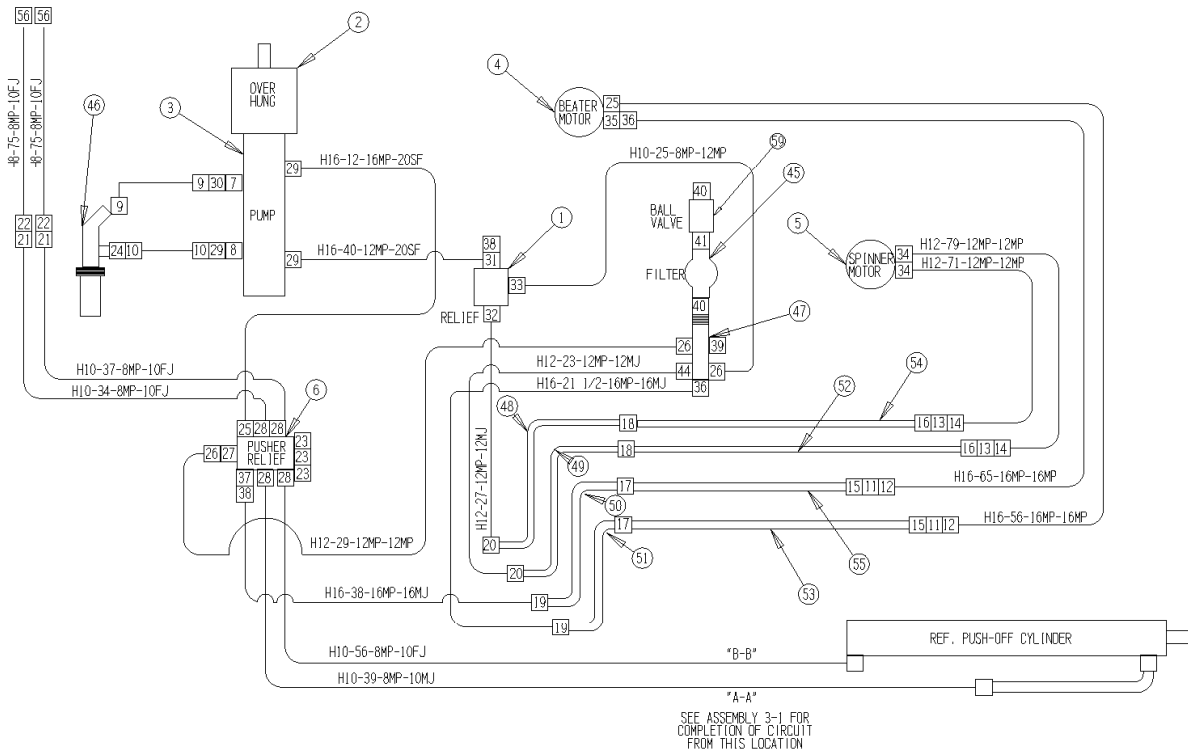
7306-3-9.1 Optional – Hydraulics With Rear Disconnects

| <u>Ref</u> | <u>Part No.</u> | <u>Description</u> | <u>Parts – Assembly</u> | <u>Will Fit SN</u> | <u>Remarks</u> |
|------------|--------------------|---|-----------------------------|--------------------|--|
| 0 | BL-8-650-H | Grade 5 Bolt 1/2 x 6 1/2 | 2 | | |
| 0 | BL-8-750-H | 1/2 x 7 1/2 HEX BOLT | 4 | | |
| 0 | BL-8-FW | 1/2 USS FW ZC | 12 | | |
| 0 | BL-8-LN | 1/2-13 HEX LOCK NUT NYLON INSERT ZC | 6 | | |
| 0 | EL-1279 | Grommet, STT, TL60, TL#60700 | 4 | | |
| 0 | H10-25-8MP-12MP | 5/8 Hose x 1/2MP x 3/4MP x 25 in. Long | 1 | | |
| 0 | H10-34-8MP-10FJ | 5/8 in hose 1/2MP X 5/8FJIC 34 in long | 1 | | |
| 0 | H10-37-8MP-10FJ | 5/8 in hose 1/2MP X 5/8FJIC 37 in long | 1 | | |
| 0 | H10-39-8MP-10MJ | 5/8 in hose 1/2MP X 5/8MJIC 39 in long | 1 | | |
| 0 | H10-56-8MP-10FJ | 5/8 Hose 5/8 MP x 5/8FJIC x 56in. Long | 1 | | |
| 0 | H12-23-12MP-12MJ | 3/4 in hose 3/4MP X 3/4MJIC 23 in long | 1 | | |
| 0 | H12-27-12MP-12MJ | 3/4 in hose 3/4MP X 3/4MJIC 27 in long | 1 | | |
| 0 | H12-29-12MP-12MP | 3/4 in. hose 29 in. 3/4 x 3/4 | 1 | | |
| 0 | H12-71-12MP-12MP | 3/4 in hose 3/4MP x 3/4MP x 71 in long | 1 | | |
| 0 | H12-79-12MP-12MP | 3/4 in hose 3/4MP x 3/4MP x 79 in long | 1 | | |
| 0 | H16-12-16MP-20SF | 1 in.Hose x 1MP x 1-1/4SF x 12 in.Long | 1 | | |
| 0 | H16-22-16MP-16MJ | 1 in hose 1MP X 1MJIC 22 in long | 1 | | |
| 0 | H16-38-16MP-16MJ | 1 in hose 1MP X 1MJIC 38 in long | 1 | | |
| 0 | H16-40-12MP-20SF | 1in.Hose x 3/4MP x 1-1/4SF x 40 in. Long | 1 | | |
| 0 | H16-56-16MP-16MP | 1 in hose 1MP x 1MP x 56 in long | 1 | | |
| 0 | H16-65-16MP-16MP | 1 in hose 1MP x 1MP x 65 in long | 1 | | |
| 0 | H32-S | 2" Suction Hose, Nitrile/Neoprene, Black | 0 | | |
| 0 | H8-75-8MP-10FJ | 1/2" hose 1/2" MP x 5/8" FJ x 75" long | 2 | | |
| 0 | HOS-150-1 | 1-1/2" I.D., Hose, Suction, Nitrile/Neoprene, Black | 0 | | |
| 0 | HW-12 | #12 OD Washer for Hydraulic Tube/Hose | 8 | | |
| 0 | HW-16 | #16 OD Washer for Hydraulic Tube/Hose | 8 | | |
| 1 | HV-RV-1H | Relief valve w/ SAE #12 ports | 1 | | |
| 2 | HP-1003-XSP | Overhung Load Adapter, Splined Int, Extended External | 1 | | No Paint - Pik Rite will paint in house. |
| 3 | HP-257-17-17-22-SP | Hydraulic Pump | 1 | 11001 | |
| 4 | HM-400-TC | Hydraulic Motor, 2 1/8 -16 splined shaft | 1 | | Seal Kit # TCI-SKMLHV |
| 5 | HM-200-TC | Hydraulic Motor | 1 | | Seal Kit # TCI-SKMLHT |
| 6 | HV-60454 | Manifold with Valves | 1 | | |
| 7 | A-4456-32-32 | Flange Nipple, 2" 45 | 1 | | |

| | | | | |
|----|-------------------|--|---|-----------------------|
| 8 | A-4459-20-20 | Flange Nipple, 1 1/4" 90 | 1 | |
| 9 | CL-201SD | Two Bolt Hose Clamp, 2" Hose, Super Duty, Galvanized | 2 | |
| 10 | CL-125 | 1 1/4" Hose Clamp, Heavy Duty T-Bar, 1.57 - 1.69" | 2 | 40-43 mm |
| 11 | A-QDFF-1001-16 | Non Spill Disconnect Quick Coupler, 1" Female | 2 | Seal Kit # TCI-SKMLHT |
| 12 | A-QDFF-1002-16 | Non Spill Disconnect Quick Coupler Nipple, 1" Male | 2 | |
| 13 | A-QDFF-751-12 | Non Spill Disconnect Quick Coupler, 3/4" Female | 2 | |
| 14 | A-QDFF-752-12 | Non Spill Disconnect Quick Coupler Nipple, 3/4" Male | 2 | |
| 15 | A-2404-16-16 | 1" MJIC x 1" MP | 2 | |
| 16 | A-2404-12-12 | 3/4" MJIC X 3/4" MP | 2 | 40-43 mm |
| 17 | A-2403-16 | Union, 1" MJ x 1" MJ | 2 | |
| 18 | A-2403-12 | Union, 3/4" MJ x 3/4" MJ | 2 | |
| 19 | A-6500-16 | 90 Elbow, 1" MJ x 1" FJX | 2 | |
| 20 | A-6500-12 | 90 Elbow, 3/4" MJ x 3/4" FJX | 2 | |
| 21 | A-2700-10 | Union, Bulkhead, 5/8" MJ x 5/8" MJ | 2 | |
| 22 | A-306-10 | Lock Nut, Bulkhead, For 5/8" MJIC | 2 | |
| 23 | A-6408-6 | 6 SAE Plug | 3 | |
| 24 | A-4444-20-20 | 1 1/4" Male Pipe Hose Barb | 1 | |
| 25 | A-6901-16-16 | 16 SAE x 1" FPX 90 , Forged | 2 | |
| 26 | A-1501-12-12 | 3/4" MP x 3/4" FPX 90 | 3 | |
| 27 | A-6405-16-12 | 16 SAE x 3/4" FP | 1 | |
| 28 | A-6901-10-8 | 10 SAE x 1/2" FPX90 , Forged | 4 | |
| 29 | A-SFK-20 | 1 1/4" Split Flange Kit | 3 | |
| 30 | A-SFK-32 | 2" Split Flange Kit | 1 | |
| 31 | A-6901-12-12-4SAE | 12 SAE x 3/4" FPX 90 w/4 SAE Port, Forged | 1 | |
| 32 | A-6901-12-12 | 12 SAE x 3/4" FPX 90 , Forged | 1 | |
| 33 | A-6901-12-8 | 12 SAE x 1/2" FPX 90 , Forged | 1 | |
| 34 | A-6900-12-12 | 12 SAE x 3/4" FPX | 2 | |
| 35 | A-6900-16-16 | 16 SAE x 1" FPX | 1 | |
| 36 | A-1501-16-16 | 1" MP x 1" FPX 90 | 2 | |
| 37 | A-6901-16-16-4SAE | 16 SAE x 1" FPX 90 w/4 SAE Port, Forged | 1 | |
| 38 | HA-1004-4 | Test Point Plug #4 SAE Thread | 2 | |
| 39 | AP-8 | 1/2" Pipe Plug | 1 | |
| 40 | ASL-24C | 1 1/2", Street Elbow, Domestic Only, Cast | 2 | |
| 41 | AN-24-48 | 1 1/2" Black Nipple x 3" Long | 1 | |
| 44 | A-1404-12-12 | 3/4" MP x 3/4" FPX | 1 | |
| 45 | HA-1030 | Filter Head, Single, Spin-On, 5.1 Dia, 1 1/2" NPT | 1 | |
| 46 | PR45016 | Manifold, Oil Resv, 795 | 1 | |

| | | | | |
|----|--------------|--|---|----------|
| 47 | PR45018 | Manifold Weldment, Oil, 795 | 1 | |
| 48 | H-T45003 | .75 Stainless Steel Tube (795 Spreader) | 1 | H-T45003 |
| 49 | H-T45005 | .75 Stainless Steel Tube (795 Spreader) | 1 | H-T45005 |
| 50 | H-T45002 | 1.00 Stainless Steel Tube (795 Spreader) | 1 | H-T45002 |
| 51 | H-T45004 | 1.00 Stainless Steel Tube (795 Spreader) | 1 | H-T45004 |
| 52 | H-T45001 | .75 Stainless Steel Tube (795 Spreader) | 1 | H-T45001 |
| 53 | H-T45000 | 1.00 Stainless steel tube (795 Spreader) | 1 | H-T45000 |
| 54 | H-T45008 | .75 Stainless steel tube (795 Spreader) | 1 | |
| 55 | H-T45009 | 1.00 Stainless steel tube (795 Spreader) | 1 | |
| 56 | A-QD2010-8-8 | Tractor Quick Coupler, Male, 1/2" w/ FPT | 2 | |
| 57 | HA-1071-H | Hydra-zorb Tube Clamp 1" (3 pc.) | 6 | 19401- |
| 58 | HA-1072-H | Hydra-zorb Tube Clamp 3/4" (3 pc.) | 6 | 19401- |
| 59 | VLV-150-B | Valve, Ball, 1½", Full Port | 1 | |

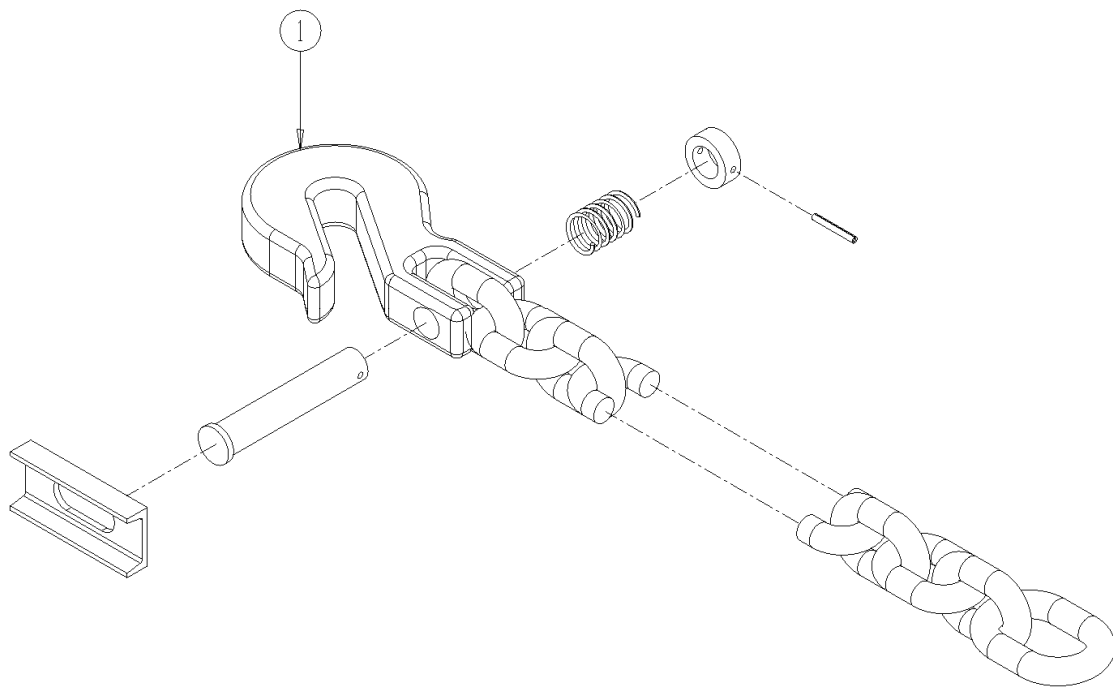
7306-3-9.1
 OPTIONAL - HYDRAULIC DRIVE WITH DISCONNECTS
 S.N. -73007003



7306-4-2 Optional Safety Tow Chain

| <u>Ref</u> | <u>Part No.</u> | <u>Description</u> | <u>Parts – Assembly</u> | <u>Will Fit SN</u> | <u>Remarks</u> |
|------------|-----------------|---|-----------------------------|---------------------|----------------|
| 1 | FRM-3167 | Safety Chain, Agricultural, 30,400 lb. Capacity | 1 | 19701- 30097001- | |
| 101 | BL-12-450-8 | 3/4" x 4 1/2", HH C/S G8 ZC | 1 | | |
| 102 | BL-12-LN-8 | 3/4" Lock Nuts w/ Nylon Inserts, Grade 8 | 1 | | |
| 103 | PR37152 | Washer,Safety Chain | 1 | | |

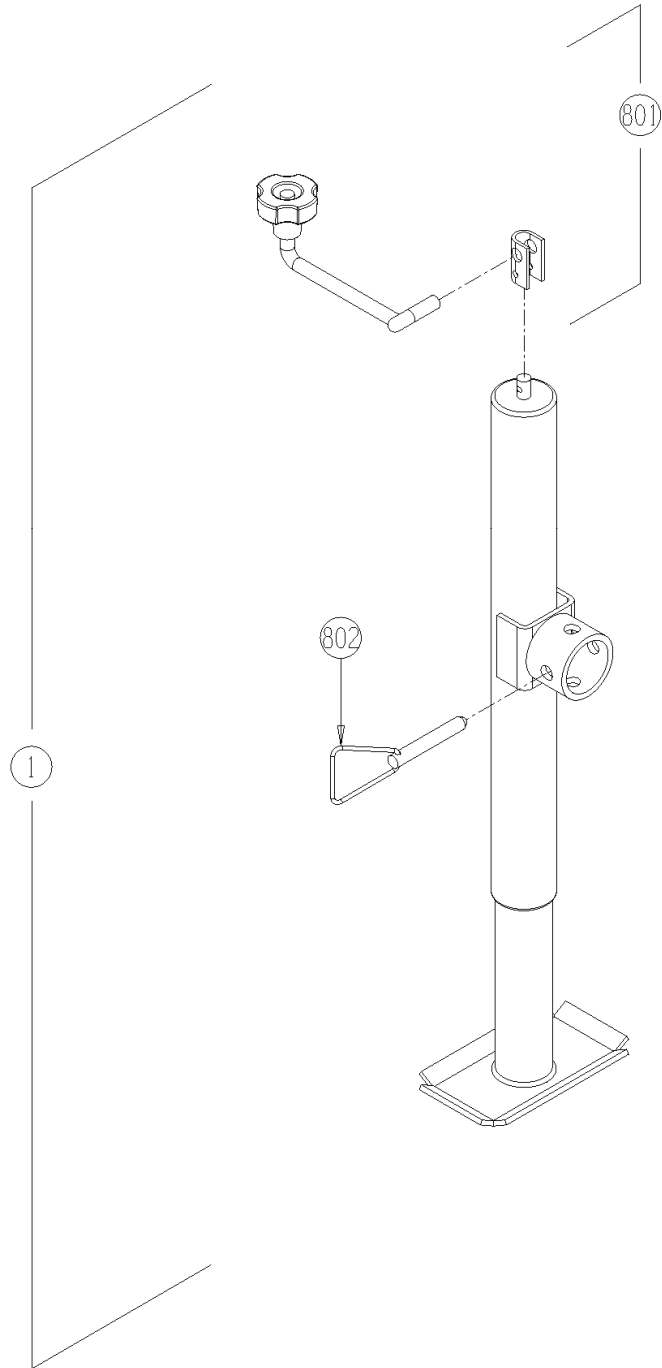
7306-4-2
OPTIONAL SAFETY TOW CHAIN



7306-4-3 Jack Stand

| <u>Ref</u> | <u>Part No.</u> | <u>Description</u> | <u>Parts – Assembly</u> | <u>Will Fit SN</u> | <u>Remarks</u> |
|------------|-----------------|--|-----------------------------|--------------------|--------------------------------------|
| 1 | WH-16122 | Bulldog Sidewind Swivel Jack, 5,000 lb. | 1 | | Old Style-Topwind, Part No. 18-450-3 |
| 801 | WH-16122-D | Crank Assy for Bulldog Topwind Swivel Jack | 1 | | |
| 802 | WH-16122-E | Pin & Chain Assy for Bulldog Topwind Swivel Jack | 1 | | |

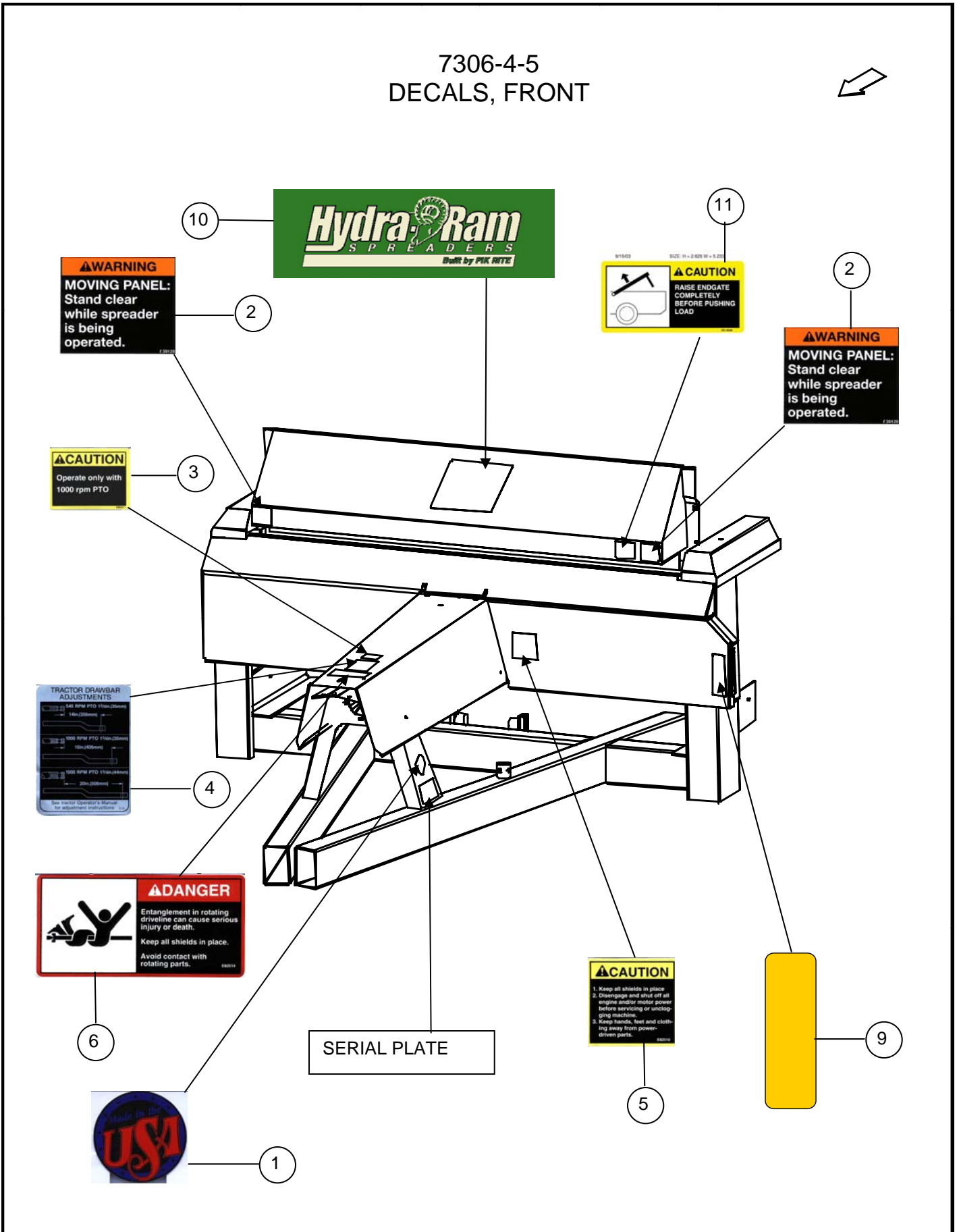
7306-4-3
JACK STAND



7306-4-5 Decals on Front of Spreader

| <u>Ref</u> | <u>Part No.</u> | <u>Description</u> | <u>Parts – Assembly</u> | <u>Will Fit SN</u> | <u>Remarks</u> |
|------------|-----------------|--|-----------------------------|--------------------|----------------|
| 1 | DC-0011 | Decal, All, "Made in USA", Chrome Back w/ Red & Blue Letters | 1 | | |
| 2 | DC-0020 | Decal, Warning, Moving Panel | 2 | | |
| 3 | DC-0021 | Decal, Caution, 1000 rpm PTO | 1 | | |
| 4 | DC-0022 | Decal, Tractor Drawbar Adjustments | 1 | | |
| 6 | DC-0025 | Decal, Danger, Entanglement In Rotating Drive | 1 | | |
| 9 | DC-0034 | Decal, Amber, Reflector, Spreader | 1 | | |
| 10 | DC-0052 | Decal, "Hydra Ram Spreaders" Logo, Large | 1 | | |
| 11 | DC-0038 | Decal, Caution, Raise Endgate Completely | 1 | | |
| 101 | RI-3-6-P | Pop Rivets 3/16 x 3/8 Domed, .375 head, ea. | 2 | | |

7306-4-5 DECALS, FRONT

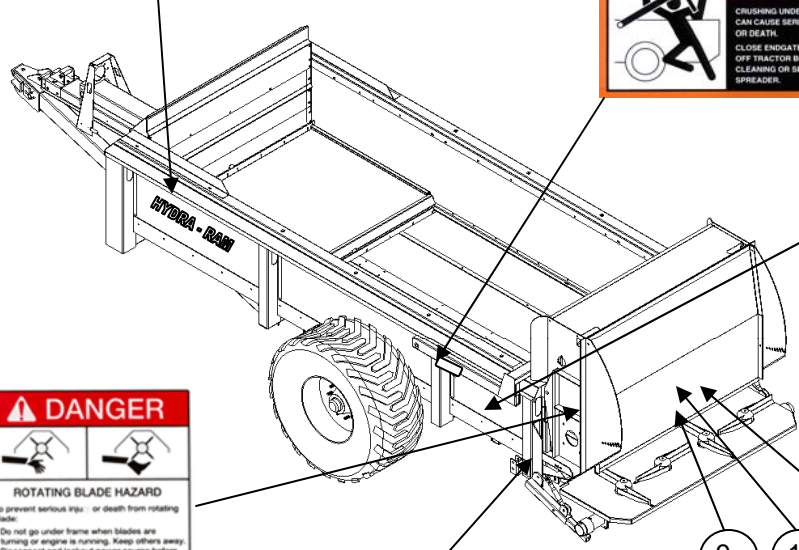


7306-4-6 Decals on Sides of Spreader

| <u>Ref</u> | <u>Part No.</u> | <u>Description</u> | <u>Parts – Assembly</u> | <u>Will Fit SN</u> | <u>Remarks</u> |
|------------|-----------------|--|-----------------------------|--------------------|----------------|
| 2 | DC-0026 | Decal, Warning, Crushing Under Endgate | 2 | | |
| 3 | DC-0027 | Decal, Warning, Entanglement In Drives | 1 | | |
| 4 | DC-0030 | Decal, Danger, Entanglement In Beater | 3 | | |
| 5 | DC-0036 | Decal, "HYDRA-RAM", Side Panels, Block Letters | 2 | | |
| 6 | DC-0057 | Decal, "795", Spreader | 2 | | |
| 7 | DC-0033 | Decal, Red, Reflector, Spreader | 2 | | |
| 8 | DC-0038 | Decal, Caution, Raise Endgate Completely | 1 | | |
| 9 | SMV-D | SMV Sign, Decal | 1 | | |
| 10 | DC-1184 | Danger Decal, 3" x 16" | 1 | | |
| 11 | DC-ARROW | Decal, Yellow Direction Arrow | 2 | | |
| 12 | DC-1175 | Decal, Danger, Rotating Blade Hazard | 1 | | |

7306-4-6
DECALS, SIDE OF SPREADER

HYDRA - RAM



795

⚠ DANGER

ROTATING BLADE HAZARD

To prevent serious injury - or death from rotating blades:

- Do not go under frame when blades are turning or engine is running. Keep others away.
- Disconnect and lockout power source before adjusting or servicing.
- Keep hands, feet, hair and clothing away from moving parts.

⚠ WARNING

CRUSHING UNDER ENDGATE CAN CAUSE SERIOUS INJURY OR DEATH.

CLOSE ENDGATE AND SHUT OFF TRACTOR BEFORE CLEANING OR SERVICING SPREADER.

91503 SIZE: H = 2 625 W = 5 230

⚠ CAUTION

RAISE ENDGATE COMPLETELY BEFORE PUSHING LOAD

⚠ WARNING

CRUSHING UNDER ENDGATE CAN CAUSE SERIOUS INJURY OR DEATH.

CLOSE ENDGATE AND SHUT OFF TRACTOR BEFORE CLEANING OR SERVICING SPREADER.



⚠ DANGER

⚠ DANGER

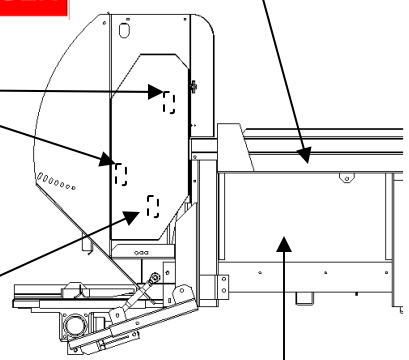
Entanglement in beater can cause serious injury or death.

Before adjusting or servicing beater, disconnect all power and shut off tractor.

⚠ WARNING

Entanglement in drives can cause serious injury or death.

Before adjusting or servicing drives, disconnect all power and shut off tractor. Do not operate spreader without all hatches in place.



795