

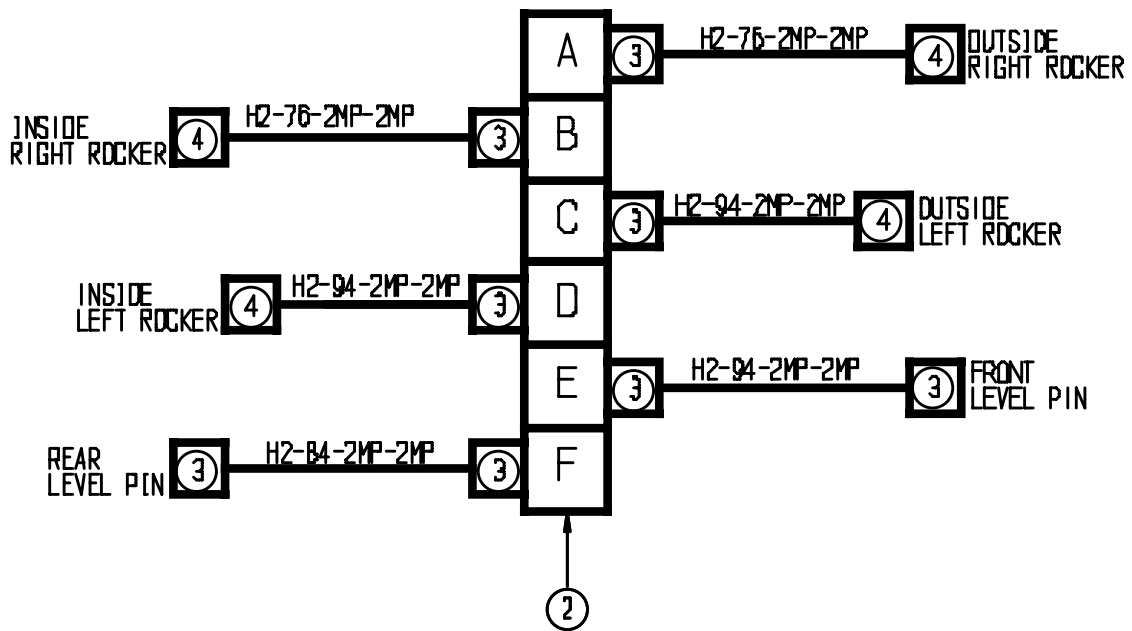
1105-12-1 Grease Banks, Axle & Header Pivot

<u>Ref</u>	<u>Part No.</u>	<u>Description</u>	<u>Parts – Assembly</u>	<u>Will Fit SN</u>	<u>Remarks</u>
1	GF-3-3	3" Grease Manifold	1		
2	GF-6-6	Grease Bank Manifold	1		
3	A-1404-2-2	1/8 MP x 1/8 FPX	11		
4	A-1501-2-2	1/8" MP x 1/8" FPX90	6		
5	H2-76-2MP-2MP	1/8 in grease hose 1/8MP x 1/8MP x 76 in long	3		
6	H2-94-2MP-2MP	1/8 in grease hose 1/8MP x 1/8MP x 94 in long	4		
7	H2-84-2MP-2MP	1/8 in grease hose 1/8MP x 1/8MP x 84 in long	1		
8	H2-72-2MP-2MP	1/8 in grease hose 1/8MP x 1/8MP x 72 in long	1		
9	DC-0010	Decal, Grease Every 10 hrs.	10		
10	DC-0050	Decal, Grease Every 50 hrs.	10		

1105-12-1 STANDARD GREASE BANKS

NOTE: GREASE ALL LOCATIONS EVERY 10 HOURS

UNDER CARRIAGE BANK (ON FRAME AT CATWALK)



INSIDE HEADER PIVOT BANK

