

1005-4-11 Opt. Vine Chopper w/o Sep. Ext. Plumbed to Tractor

<u>Ref</u>	<u>Part No.</u>	<u>Description</u>	<u>Parts – Assembly</u>	<u>Will Fit SN</u>	<u>Remarks</u>
0	KIT-0174	Vine Chopper for 190 w/o Sep. Ext.	1		

KIT-0174 Vine Chopper for 190 w/o Sep. Ext. Plumb to Mach.

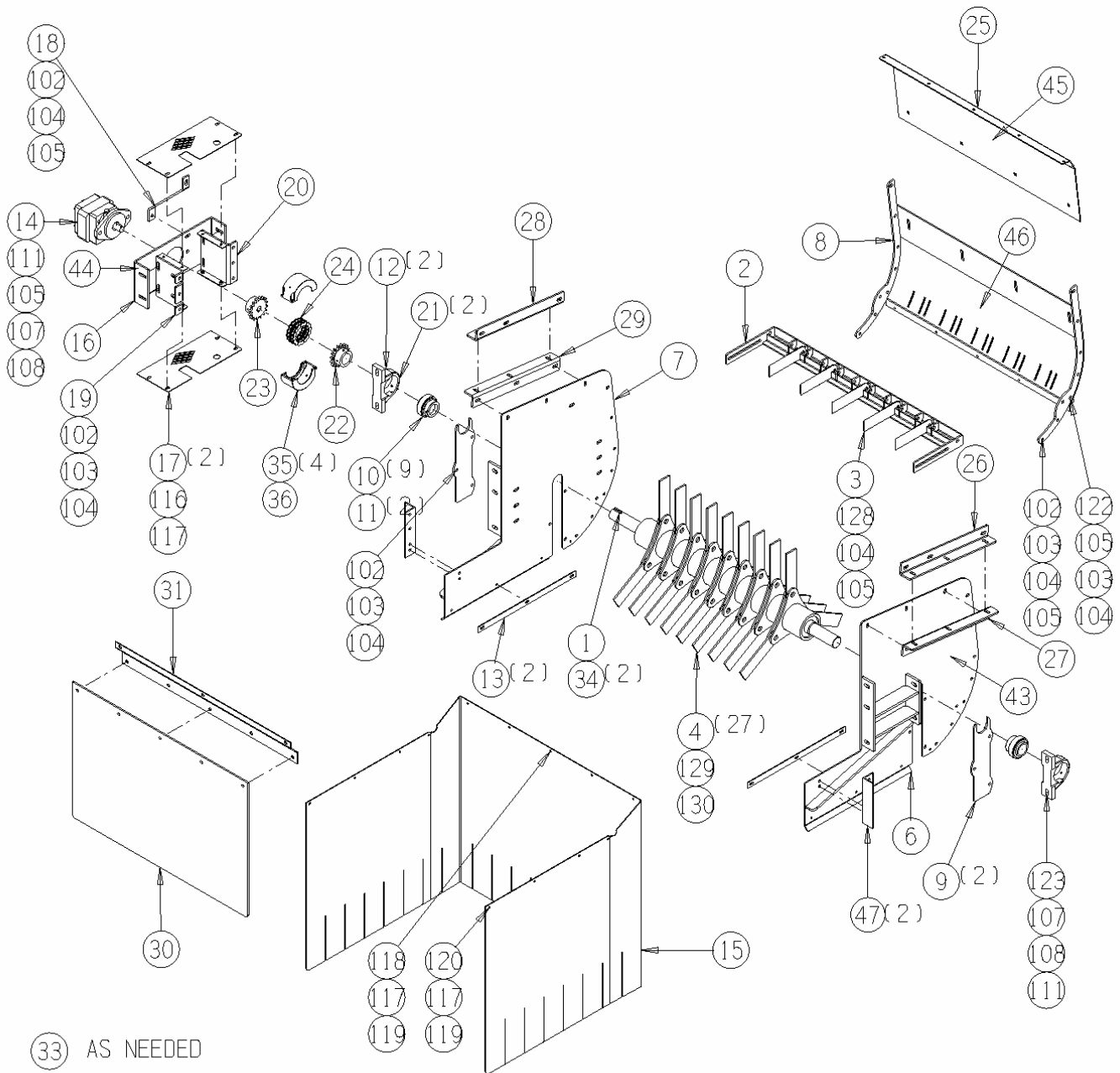
<u>Ref</u>	<u>Part No.</u>	<u>Description</u>	<u>Parts – Assembly</u>	<u>Will Fit SN</u>	<u>Remarks</u>
1	SFT-2014	Shaft, Flail Rotor, 190 Vine Chopper	1		
2	BRA-2009	Bracket, Knife Holder, Vine Chopper, 190 Tomato	1		
3	KN-142141	Knife	5	Peanut Harv	
4	BAR-2020	Bar, Long Flail, Vine Chopper	27		
6	PAN-2010	Panel, LH Housing, Vine Chopper, 190 Tomato	1		
7	PAN-2011	Panel, RH Housing, Vine Chopper, 190 Tomato	1		
8	SHD-2008	Shield, Back Panel, Vine Chopper, 190 Tomato	1		
9	BAR-2012	Bar, End Plate, Vine Chopper, 190 Tomato	2		
11	BR-175-085-KB	Fafnir Bearing 1 3/4" Heavy SS1	2		
12	BR-085-RAK	Bearing Housing 85 mm	2	19101	
13	BAR-2018	Bar, Vine Chopper, 190 Tomato Machine	2		
14	HM-412C	Hydraulic Motor	1	19101	Sub 191-412
15	BT-2004	Belting, Vine Chopper, 190 Tomato Machine	1		
16	MOU-2010	Motor Mount, Vine Chopper, 190 Tomato Machine	1		
17	SHD-2009	Coupler Shield, Vine Chopper, 190 Tomato	2		
18	SUP-2002	Motor Mount Support, Vine Chopper	1		
19	MOU-2011	Side of Motor Mount, Vine Chopper, 190 Tomato	1		
20	MOU-2012	Side of Motor Mount, Vine Chopper, 190 Tomato	1		
21	GF-1428	Grease Fitting 1/4" x 28 straight	2		
22	SP-5016-28-6-CC	Sprocket, Roller Chain Coupler, 1-3/4" Bore	1		made from SP-50B16-14
23	SP-5016-14-4-CC	Chain Coupling, Sprocket, #50, 16 tooth, 7/8" bore	1		
24	CH-5016-CC	Coupling Chain, 16 Pitch Double 50 Roller Chain	1		
25	SHD-2010	Shield, Cover, Vine Chopper, 190 Tomato	1		
26	BRA-2010	Top LH Bent, Vine Chopper, 190 Tomato Machine	1		
27	BRA-2011	Top, LH Sd Bent, Vine Chopper, 190 Tomato	1		
28	BRA-2012	Top RH Bent, Vine Chopper, 190 Tomato	1		
29	BRA-2013	Top RH Sd Bent, Vine Chopper, 190 Tomato	1		
30	PL-2001	Plastic, Vine Chopper, 190 Tomato Machine	1		
31	BRA-2014	Bracket, Plastic Holder, Vine Chopper, 190 Tomato	1		

33	WT-17H	Heavy Duty Wire Tie 17.5"	15		
34	KEY-6-6-32	Shaft Key 3/8" x 2 " Square Cut (1018)	2		
35	CH-5016-CV	#50 Coupling Cover	1		Cover Fits 5016-5018
36	GF-1827	Grease Fitting 1/8 NPT Straight	4		
43	DC-1174	Decal, Danger Keep Hands and Feet Away	1		
44	DC-1176	Decal, Danger-Hand Chain Sprockets	1		
45	DC-1182	Decal, Small White "PIK RITE" 3 1/4" x 23"	1	Plastic Wrap & Windrower	
46	DC-1184	Danger Decal, 3" x 16"	1		
47	BRA-0114	Stiffener Bracket, Vine Chopper, 190 Tomato Harvester	2		
102	BL-6-125-H	3/8-16 X 1 1/4 HHCS G5 ZC	18		
103	BL-6-SW	3/8 SAE FW ZC	36		
104	BL-6-LN	3/8 UNC FIN HEX LOCK NUT NE A563 GrA ZINC	30		
105	BL-6-FW-8	3/8 FLAT WASHER G8 ZC	45		
106	BL-8-175-H	1/2-13 X 1 3/4 HEX CAP G5 ZC	6		
107	BL-8-SW	1/2 SAE FW ZC	31		
108	BL-8-LN	1/2-13 HEX LOCK NUT NYLON INSERT ZC	22		
109	BL-8-150-H	1/2 UNC X 1 1/2 HH C/S BOLT GR5 ZINC	12		
110	BL-8-LW	1/2 SPLIT LW ZC	8		
111	BL-8-FW-8	1/2 FLAT WASHER G8 ZC	15		
115	BL-4-300-H	1/4-20 X 3 HEX CAP G5 ZC	2		
116	BL-4-050-H	1/4-20 X 1/2 HEX CAP G5 ZC	8		
117	BL-4-FW-8	1/4" Flat Washer Grade 8	46		
118	BL-4-075-H	1/4 UNC X 3/4 HH C/S BOLT GR5 ZINC	9		
119	BL-4-LN	1/4-20 HEX LN NE ZC	23		
120	BL-4-100-H	1/4-20 X 1 HEX CAP G5 ZC	6		
121	BL-4-125-H	1/4-20 X 1 1/4 HEX CAP G5 ZC	8		
122	BL-6-150-H	3/8-16 X 1 1/2 HEX CAP G5 ZC	10		
123	BL-8-225-H	1/2-13 X 2 1/4 HEX CAP G5 ZC	4		
124	BL-8-300-H	1/2-13 X 3 HEX CAP G5 ZC	1		
125	BL-8-250-H	1/2-13 X 2 1/2 HEX CAP G5 ZC	2		
128	BL-6-100-H	3/8 UNC X 1 HH C/S BOLT GR5 ZINC	14		
129	BL-12-200-8	3/4" x2", HH C/S G8 ZC	27		
130	BL-12-LN	3/4" Lock Nuts w/Nylon Inserts	27		
600	A-4124-6-4	1/4 Male Pipe x 3/8 Push Loc	1		
601	A-1405-8-8	1/2" NPT Coupler W/Swivel	1		
602	A-6901-12-8	12 SAE x 1/2" FPX 90 , Forged	2		

603	A-6408-10	10 SAE Plug	1		
604	A-6901-10-8	10 SAE x 1/2 FPX90 , Forged	2		
605	ATB-06-06-06	3/8" x 3/8" x 3/8" Brass Hose Barb Tee	1		CL-10 needs to be used with this tee.
606	A-6401-10-8	10 SAE x 1/2 MPT Male	2		
607	A-1603-8-8-8	Swivel T 1/2" NPTF	2		
608	HV-FL30	Flow Control Valve 30GPM	1		
609	H12-91-12MP-8MP	3/4" Hose 3/4MP x 1/2MP x 91 in Long	1		
610	CL-10	Single Snap Grip Clamp for 3/8" Push Loc Hose	3		Use with ATB-06-06-06
611	H10-120-8MP-8MP	5/8 in hose 1/2MP x 1/2MP x 120 in long	2		
612	H12-36-8MP-12MP	3/4 in hose 3/4MP x 1/2MP x 36 in long	2		
613	H6-PL-65	3/8" Push-Loc Hose 65"	1		
614	A-5404-8-12	Hex Nipple 3/4 x 1/2	2		
615	A-1405-12-12	3/4 NPT coupler w/swivel	2		

1005-4-11 OPTIONAL VINE CHOPPER
 W/O SEPERATION EXTENSION PLUMB TO MACHINE

KIT-0174



HYDRAULICS FOR 190 VINE CHOPPER W/O SEP. EXT. PLUMB TO MACHINE

