

1005-4-10 Optional Vine Chopper w/ Separation Extension

<u>Ref</u>	<u>Part No.</u>	<u>Description</u>	<u>Parts – Assembly</u>	<u>Will Fit SN</u>	<u>Remarks</u>
0	KIT-0150	Vine Chopper for 190 w/ Separation Extension	1		

KIT-0150 Vine Chopper for 190 w/ Separation Extension

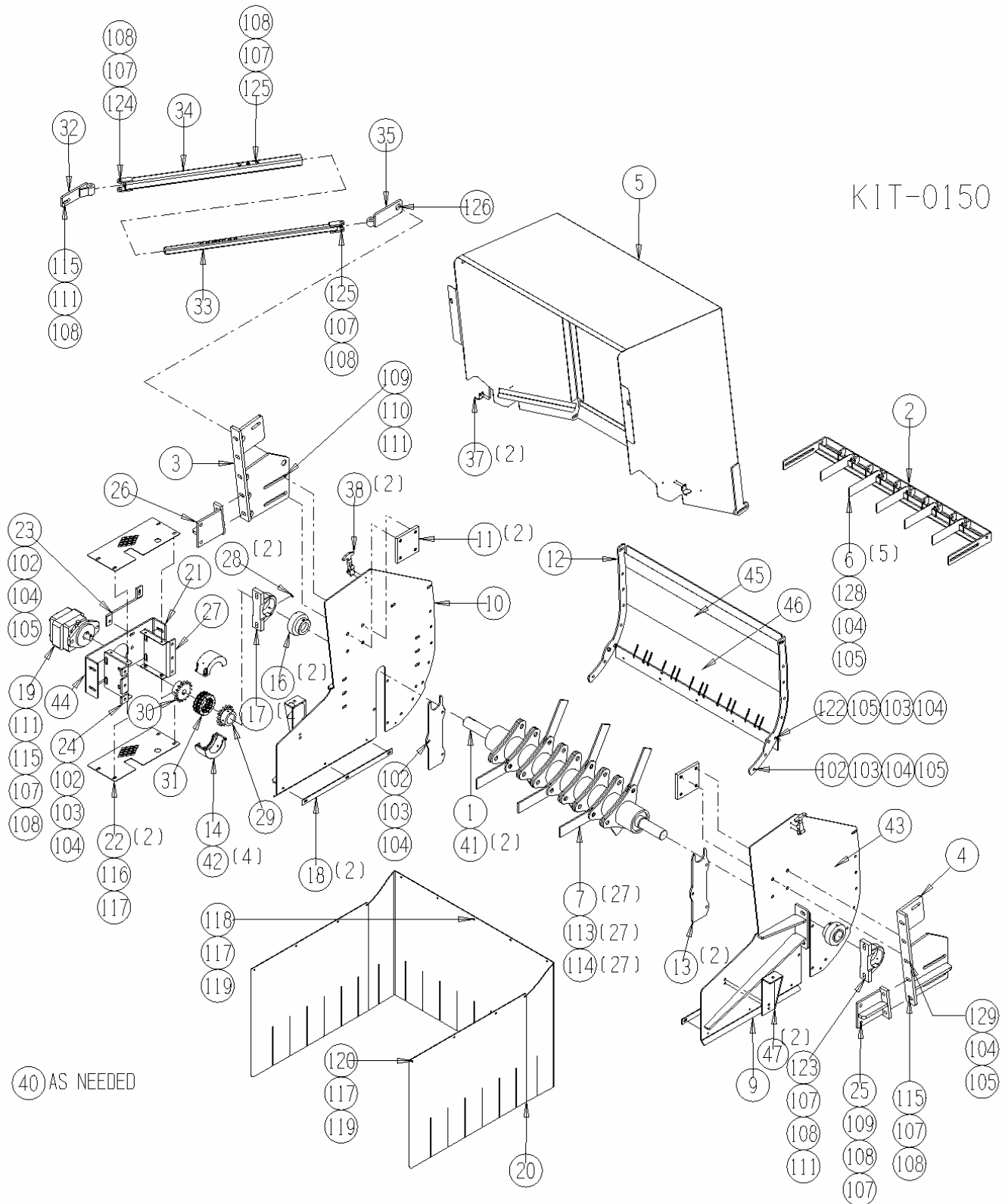
<u>Ref</u>	<u>Part No.</u>	<u>Description</u>	<u>Parts – Assembly</u>	<u>Will Fit SN</u>	<u>Remarks</u>
1	SFT-2014	Shaft, Flail Rotor, 190 Vine Chopper	1		
2	BRA-2009	Bracket, Knife Holder, Vine Chopper, 190 Tomato	1		
3	MOU-2013	Hefty Right Mount, Vine Chopper, 190 Tomato	1		
4	MOU-2014	Hefty Left Mount, Vine Chopper, 190 Tomato	1		
5	SHD-2003	Shield, Top, Vine Chopper, 190 Tomato	1		
6	KN-142141	Knife	5	Peanut Harvester	
7	BAR-2020	Bar, Long Flail, Vine Chopper	27		
9	PAN-2012	Panel, LH Housing, Vine Chopper, 190 Tomato	1		
10	PAN-2013	Panel, RH Housing, Vine Chopper, 190 Tomato	1		
11	BAR-2013	Bar, Inside Plate, Vine Chopper, 190 Tomato	2		
12	SHD-2011	Shield, Back, Vine Chopper, 190 Tomato	1		
13	BAR-2012	Bar, End Plate, Vine Chopper, 190 Tomato	2		
14	CH-5016-CV	#50 Coupling Cover	1		Cover Fits 5016-5018
16	BR-175-085-KB	Fafnir Bearing 1 3/4" Heavy SS1	2		
17	BR-085-RAK	Bearing Housing 85 mm	2	19101	
18	BAR-2015	Belting Bar, Vine Chopper, 190 Tomato	2		
19	HM-412C	Hydraulic Motor	1	19101	Sub 191-412
20	BT-2005	Belting, Vine Chopper, 190 Tomato	1		
21	MOU-2010	Motor Mount, Vine Chopper, 190 Tomato Machine	1		
22	SHD-2009	Coupler Shield, Vine Chopper, 190 Tomato	2		
23	SUP-2002	Motor Mount Support, Vine Chopper	1		
24	MOU-2011	Side of Motor Mount, Vine Chopper, 190 Tomato	1		
25	MOU-2003	Left, Front Mount, Vine Chopper, 190 Tomato	1		
26	MOU-2004	Right, Front Mount, Vine Chopper, 190 Tomato	1		
27	MOU-2012	Side of Motor Mount, Vine Chopper, 190 Tomato	1		
28	GF-1428	Grease Fitting 1/4" x 28 straight	2		
29	SP-5016-28-6-CC	Sprocket, Roller Chain Coupler, 1-3/4" Bore	1		made from SP-50B16-14
30	SP-5016-14-4-CC	Chain Coupling, Sprocket, #50, 16 tooth, 7/8" bore	1		
31	CH-5016-CC	Coupling Chain, 16 Pitch Double 50 Roller Chain	1		

32	ARM-2000	Arm, Outside Mount Support, Vine Chopper, 190	1		
33	ARM-2001	Arm, Support, Inside Tube, Vine Chopper, 190	1		
34	ARM-2002	Arm, Support, Outside Tube, Vine Chopper, 190	1		
35	ARM-2003	Arm, Inside Mount Support, Vine Chopper, 190	1		
37	LA-703B	T Latch Keeper	2		
38	LA-703A	Large Rubber T Latch Assembly	2		
40	WT-17H	Heavy Duty Wire Tie 17.5"	30		
41	KEY-6-6-32	Shaft Key 3/8" x 2 " Square Cut (1018)	2		
42	GF-1827	Grease Fitting 1/8 NPT Straight	4		
43	DC-1174	Decal, Danger Keep Hands and Feet Away	1		
44	DC-1176	Decal, Danger-Hand Chain Sprockets	1		
45	DC-1182	Decal, Small White "PIK RITE" 3 1/4" x 23"	1	Plastic Wrapper & Windrower	
46	DC-1184	Danger Decal, 3" x 16"	1		
47	BRA-0115	Stiffner Bracket, Vine Chopper, 190	2		
101	BL-12-FW	3/4" Flat Washer	2		
102	BL-6-125-H	3/8-16 X 1 1/4 HHCS G5 ZC	18		
103	BL-6-SW	3/8 SAE FW ZC	36		
104	BL-6-LN	3/8 UNC FIN HEX LOCK NUT NE A563 GrA ZINC	52		
105	BL-6-FW-8	3/8 FLAT WASHER G8 ZC	54		
106	BL-8-175-H	1/2-13 X 1 3/4 HEX CAP G5 ZC	6		
107	BL-8-SW	1/2 SAE FW ZC	31		
108	BL-8-LN	1/2-13 HEX LOCK NUT NYLON INSERT ZC	22		
109	BL-8-150-H	1/2 UNC X 1 1/2 HH C/S BOLT GR5 ZINC	12		
110	BL-8-LW	1/2 SPLIT LW ZC	8		
111	BL-8-FW-8	1/2 FLAT WASHER G8 ZC	15		
112	BL-12-225-H	3/4-10 X 2 1/4" HH GR5 ZC	2		
113	BL-12-LN-8	3/4" Lock Nuts w/ Nylon Inserts, Grade 8	27		
114	bl-12-200-8	3/4" x2", HH C/S G8 ZC	27		
115	BL-8-200-H	1/2-13 X 2 HEX CAP G5 ZC	7		
116	BL-4-050-H	1/4-20 X 1/2 HEX CAP G5 ZC	8		
117	BL-4-FW-8	1/4" Flat Washer Grade 8	34		
118	BL-4-075-H	1/4 UNC X 3/4 HH C/S BOLT GR5 ZINC	9		
119	BL-4-LN	1/4-20 HEX LN NE ZC	21		
120	BL-4-100-H	1/4-20 X 1 HEX CAP G5 ZC	6		
121	BL-4-125-H	1/4-20 X 1 1/4 HEX CAP G5 ZC	8		
122	BL-6-150-H	3/8-16 X 1 1/2 HEX CAP G5 ZC	10		

123	BL-8-225-H	1/2-13 X 2 1/4 HEX CAP G5 ZC	4		
124	BL-8-300-H	1/2-13 X 3 HEX CAP G5 ZC	1		
125	BL-8-250-H	1/2-13 X 2 1/2 HEX CAP G5 ZC	2		
126	BL-16-LN	1" Lock Nuts w/ Nylon Inserts	1		
128	BL-6-100-H	3/8 UNC X 1 HH C/S BOLT GR5 ZINC	14		
129	BL-6-200-H	3/8-16 X 2 HEX CAP G5 ZC	6		
600	A-1404-4-6	1/4" MP x 3/8" FPX	1		
601	H6-600-6MP-8MP	3/8 in hose 3/8MP x 1/2MP x 600 in long	1		
602	A-6901-12-8	12 SAE x 1/2" FPX 90	2		
603	HV-0110	Three Way Valve, Oil From Tractor, Vine Chopper	1		
604	A-QD2010-8-8	Tractor Quick Coupler, Male, 1/2" w/ FPT	3		
605	H10-480-8MP-8MP	5/8 in hose 1/2MP x 1/2MP x 480 in long	2		
606	A-5404-8-8	Hex Nipple 1/2" x 1/2"	1		
607	A-6900-10-8	10 SAE x 1/2 FPX	3		
608	H10-48-8MP-8MP	5/8 in hose 1/2MP x 1/2MP x 48 in long	1		
609	A-1603-8-8-8	Swivel T 1/2" NPTF	1		
610	A-6900-6-6	6 SAE x 3/8" FPX	1		
611	H4-48-6MP-6MP	1/4 in hose 3/8MP x 3/8MP x 48 in long	1		
612	A-5404-12-12	Hex Nipple 3/4" x 3/4"	1		
613	A-1603-12-12	Swivel T 3/4" NPTF	1		
614	AB-12-6	3/4" x 3/8" Bushing	1		

1005-4-10 OPTIONAL VINE CHOPPER W/ SEPARATION EXTENSION

KIT-0150



HYDRAULICS FOR 190 VINE CHOPPER W/ SEPARATION EXTENSION

