

1005-1-15 Optional Wheel, Single For Header Side, 190 Tom.

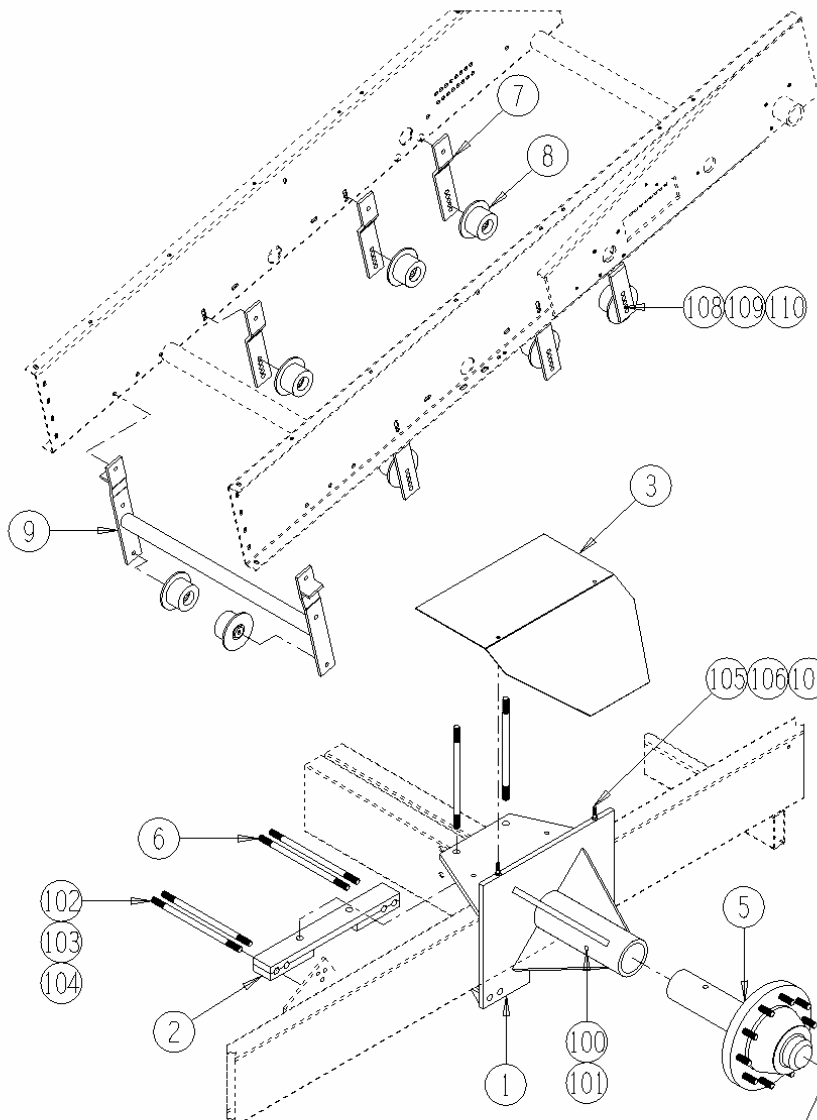
<u>Ref</u>	<u>Part No.</u>	<u>Description</u>	<u>Parts – Assembly</u>	<u>Will Fit SN</u>	<u>Remarks</u>
0	WHL-1201	Single Wheel System (Under Header)	0		Used on machines without strapping on top of the frame tube
801	WHL-1210A	Inner Cup	1		
802	WHL-1210B	Outter Cup	1		
803	WHL-1210C	Inner Cone	1		
804	WHL-1210D	Outter Cone	1		
805	WHL-1210E	Dust Cap	1		
806	WHL-1210F	Grease Seal	1		
807	WHL-1210G	Flange Nut, Spindle	1		
808	WHL-1210H	Washer, Spindle	1		
809	WHL-1210I	Cotter Pin, Spindle	1		
810	WHL-1210J	Wheel Stud Bolt	8		
811	WHL-1210K	Wheel Stud Nut	8		
812	WHL-1210L	Wheel Stud Washer	8		
813	WHL-2201	Wheel Rim, 20 x 26" Dia with Straight Plate Center	1		
814	WHT-2201	Tire, 23.1 B26, 12 Ply R1, Super Traction, Tubeless	1		
815	WHL-1210M	Spindle	0		
816	WBR-1210K	Wheel Bearing Kit for WHL-1210 Hub & Spindle Assy.	0	WHL-1210	inner & outer cones & cups and grease seal

WHL-1201 Wheel, Single For Header Side, 190 Tom.

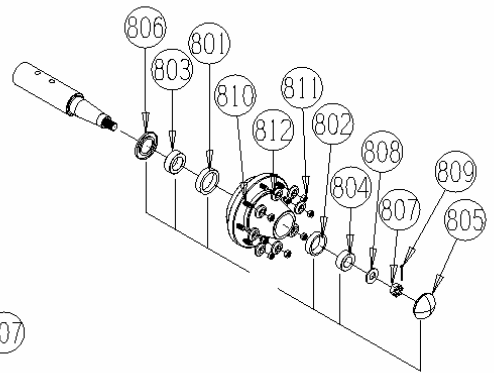
<u>Ref</u>	<u>Part No.</u>	<u>Description</u>	<u>Parts – Assembly</u>	<u>Will Fit SN</u>	<u>Remarks</u>
1	WHA-1201	Wheel Axle, Single, Header Tom.	1		
2	BAR-1201	Bar, Support, Single Tire, Header, Tom.	1		
3	SHD-1201	Shield, Single Wheel, Header, Tom.	1		
4	WHM-1201	Single Wheel Tire and Rim (Under Header)	1	190	
5	WHL-1210	Hub and Spindle Assembly	1		
6	BL-12-1500-SUS-G8	3/4-10 x 15" Setup Stud 2" Min Thrd @ Ends, Gr8	6		
7	BRA-8400	Bracket, Hold Up Rollers, HC290 Tomato	6		
8	RLT-535-228	5" Flange Roller 2.2WF x 3 1/2" dia, 1/2" bore	8		
9	BAR-1118	Bar, Hold up, Head Chain, Big Wheel Kit	1	KIT-1118	
10	SPA-1201	Spacer, Top Outer, Header Side, 190 Tom.	0		
11	SPA-1202	Spacer, Top Inner, Header Side, 190 Tom.	0		

12	SPA-1203	Spacer, Bottom, Header Side, 190 Tom.	0		
100	BL-10-600-H	5/8-11 X 6 HEX CAP G5 ZC	1		
101	BL-10-LN	5/8-11 HEX LN NE ZC	1		
102	BL-12-FW	3/4" Flat Washer	12		
103	BL-12-LW	3/4" Lock Washer	6		
104	BL-12-N	3/4" Nut	12		
105	BL-6-FW	3/8 USS FW ZC	8		
106	BL-6-LN	3/8 UNC FIN HEX LOCK NUT NE A563 GrA ZINC	2		
107	BL-6-N	3/8-16 HEX NUTS ZC	2		
108	BL-8-350-H	1/2-13 X 3 1/2 HEX CAP G5 ZC	8		
109	BL-8-LN	1/2-13 HEX LOCK NUT NYLON INSERT ZC	8		
110	BL-8-FW	1/2 USS FW ZC	22		
111	BL-8-100-H	1/2-13 X 1 HEX CAP G5 ZC	6		
112	BL-8-LW	1/2 SPLIT LW ZC	6		
113	BL-8-SW-8	1/2 SAE FW G8 ZC	6		

1005-1-15 OPTIONAL WHEEL
 SINGLE FOR HEADER SIDE, 190 TOMATO



KIT#: WHL-1201



BELTED CHAIN PATH

