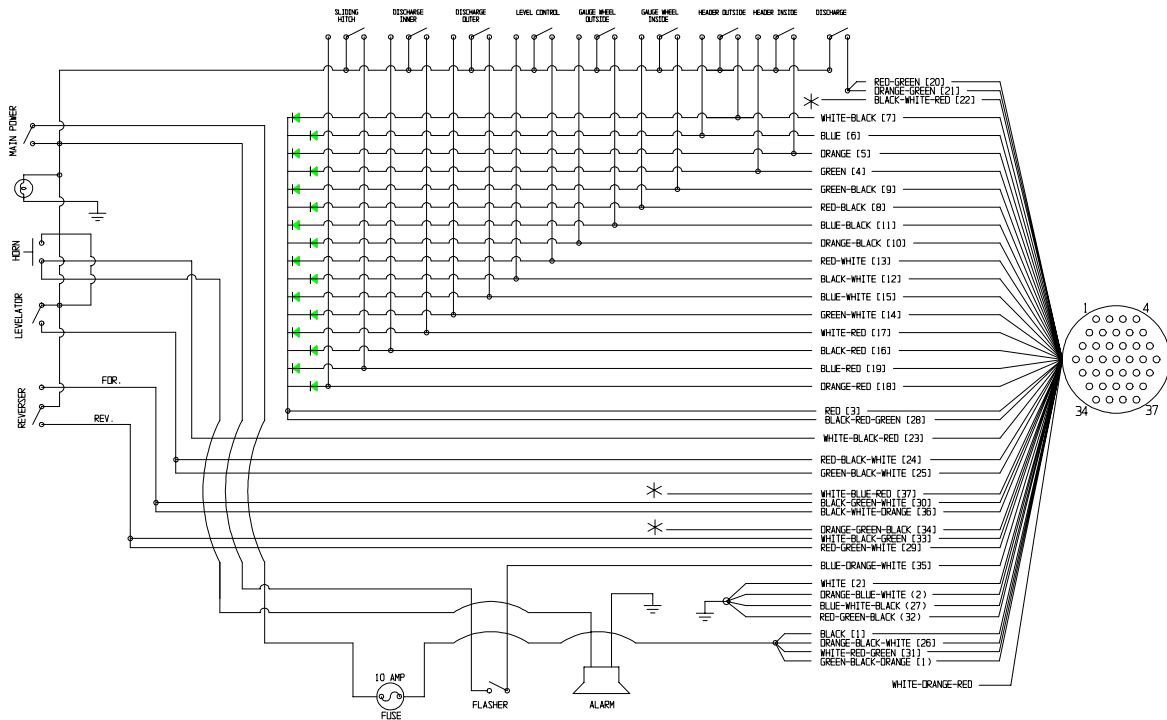


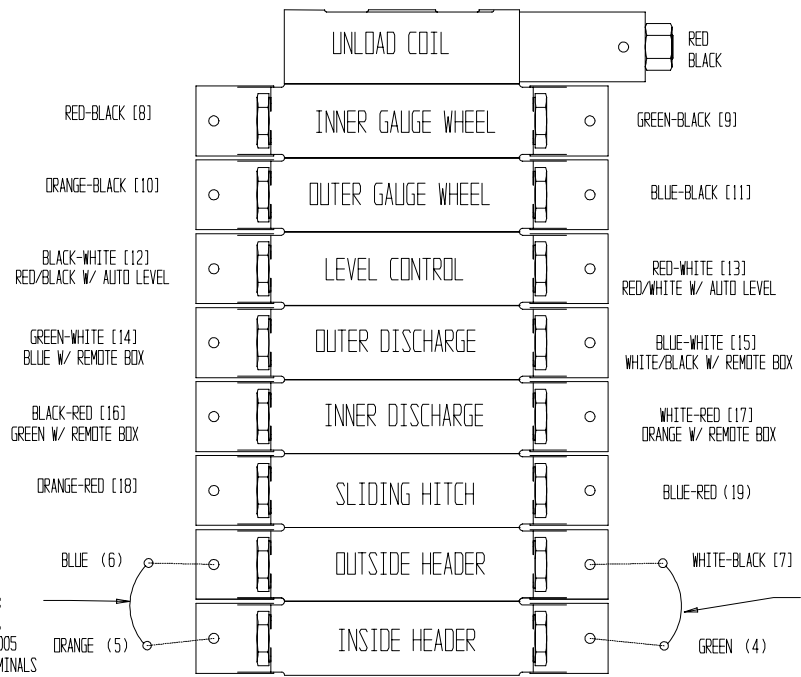
1002-12-3 Control Box & Hyd.Valve Color Code

<u>Ref</u>	<u>Part No.</u>	<u>Description</u>	<u>Parts – Assembly</u>	<u>Will Fit SN</u>	<u>Remarks</u>
0	EL-0003	COMPLETE Control Box less cable (Tomato)	0	19701-	
0	EL-12160	Power Cable for Control Box(Plug & No Connectors)	0		

1002-12-3 CONTROL BOX & HYD. VALVE COLOR CODE



* MAY BE CONNECTED IN SOME BOXES.



NOTE: FOR SINGLE SWITCH OPERATION: DISCONNECT 4 & 5 AND SECURE, USE (2) OF PART NUMBER EL-0005 (JUMPER WIRES), CONNECT TERMINALS AS SHOWN.

SEE NOTE ON OPPOSITE SIDE