

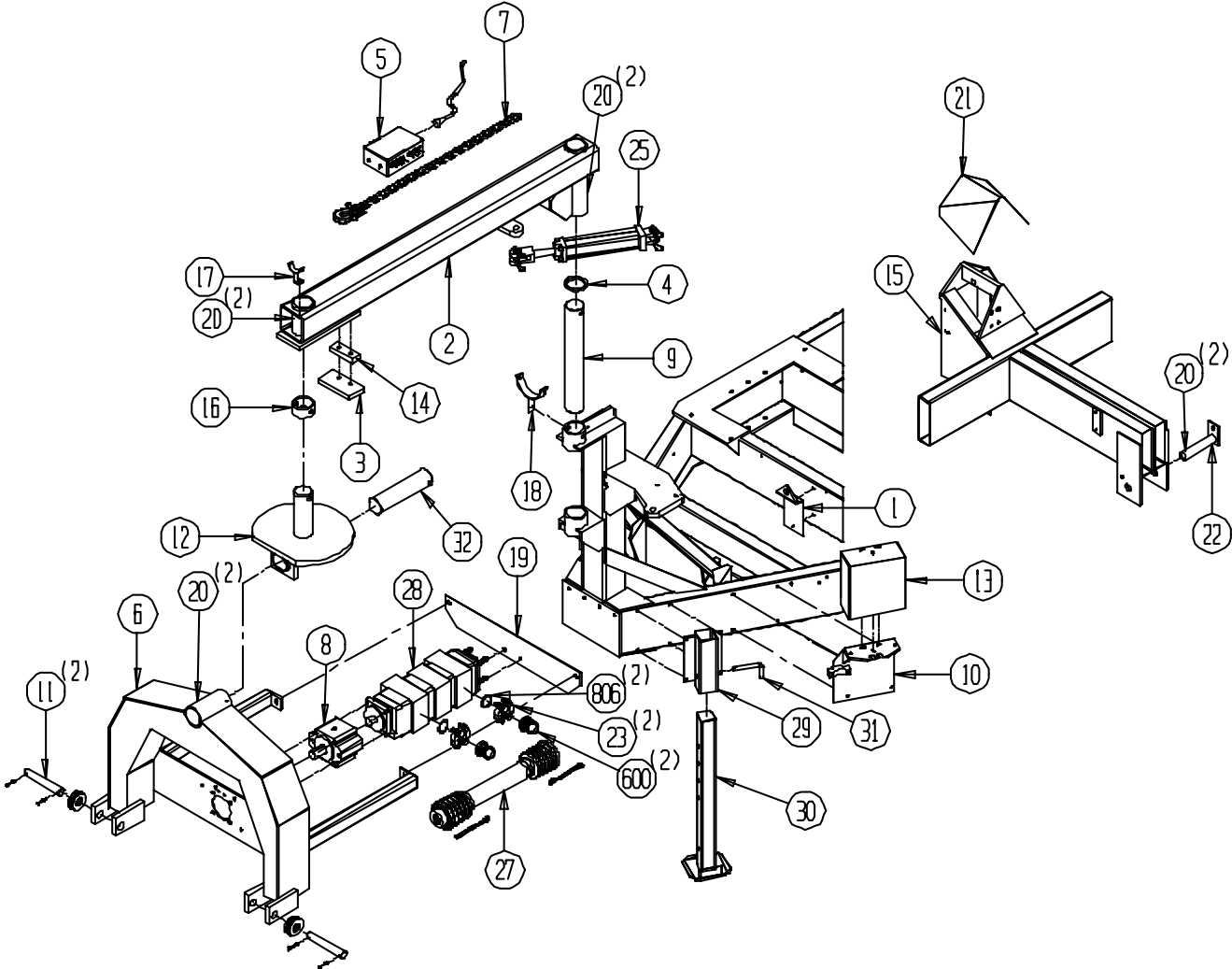
1002-1-14 Optional Gooseneck Hitch Assembly

<u>Ref</u>	<u>Part No.</u>	<u>Description</u>	<u>Parts – Assembly</u>	<u>Will Fit SN</u>	<u>Remarks</u>
1	193-918	Cylinder bracket frame	1		
2	ARM-2P01	Arm, Gooseneck Hitch, Machine Connection, Chili	1		
3	BAR-2P01	Bar, Pin Holder, Arm to Pin	1		
4	BU-2P01	Bushing, Arm, Gooseneck, Main Frame, Chili	1		
5	EL-0002	Electrical Control Box 02 Tom. Act. Ready	1		
6	FRM-2P01	Frame, Gooseneck Hitch Pump Mount	1		
7	frm-3167	Safety Chain, Cucumber & Tomato Tongues	0	19701- 30097001-	
8	HP-1003	Overhung Load Adapter	1	11001	
9	MOU-2P01	Pin, Mount, Gooseneck Hitch, Chili	1		
10	MOU-3112	Mount, Hydraulic Valve, Control Valve, Cuc & Tom	1		
11	PIN-002P	Pin, Quick Hitch Arms, 2 Point Hitch, Chili	2		
12	PIN-2P01	Pin, Gooseneck Hitch Pivot, Top of Tractor	1		
13	SHD-B8	Shield, Electrohydraulic "Brand", 8-Stack	1	19601-	
14	SPA-2P01	Spacer, Gooseneck Hich Machine Connection	1		
15	FRM-1101	Frame, Main W/Gooseneck Hitch, Tomato	1		
16	STP-2P01	Stop, Cooseneck Hitch Pivot, Top of Arm	1		
17	SUP-0015	Support, Hydraulic Hose, Tongue, Front	1		
18	sup-0016	Support, Hose, Hydraulic Hose, Tongue, Rear	1		
19	SUP-2P01	Support, hydraulic Pump, Bottom Arms, Chili	1		
20	GF-1428	Grease Fitting 1/4" x 28 straight	7		
21	194-1131	Leveling Cylinder Cover	1	19401-	
22	191-1112	Axle Pin	1	19101-	
23	A-SFK-32	2" Split Flange Kit	2		
24	WT-17H	Heavy Duty Wire Tie 17.5"	20		
25	HC-250-1208	Tie Rod Cylinder, Standard 2 1/2" x 12"	1		
26	CL-201	2" Hose Clamp, Heavy Duty T-Bar, 2.25-2.5"	4		
27	PTS-4001	Waltersheid Power Shaft for Chili Harvester 1 3/4" x 20 Spline	1		IH MX Series Quick Hitch On Ford New Hol. Quick Hitch Off JD 7000 & 8000 both Hitch configs Case IH above 160 HP Quick H on Case IH Under 159 HP Both Hitch configs
28	HP-365-C1	Hydraulic Pump, Commercial 365	1		
29	192-1125	Mount, Jack Stand, Frame, 2-Point Hitch	1		

30	192-1125A	Adjuster	1	
31	192-1125B	Pin, Jack Stand, Frame, 2-Point Hitch Machines	1	
32	SFT-2P01	Shaft, Gooseneck Hitch Pivot, Swivel	1	
600	A-4456-32-32	Flange Nipple, 2" 45	2	
601	H12-174-12MP-16MJ	3/4 in hose 3/4MP-1MJIC x 174 in long	2	
602	H32-230	2" Chili Machine Suction Hose 230"	2	
603	A-6901-10-8-4SAE	10 SAE x 1/2 FPX90 W1/4" Port	2	
604	HA-1004-G	Hydraulic, Pressure Gauge w/1/4 NPT Stem	1	
605	A-6901-12-12-4SAE	12 SAE x 3/4" FPX 90 w/4 SAE Port	2	
606	H10-180-8MP-12MJ	5/8 in hose 1/2MP X 3/4MJIC 180 in long	2	
607	H10-96-8MP-12MJ	5/8 in hose 1/2MP x 3/4MJIC x 96 in long	1	
608	HA-1004-4	Test Point Plug #4 SAE Thread	4	
609	HA-1005-T	Test Point Probe	1	
800	EL-805	Automotive Fuses 10 Amp	1	
801	HP-1003A	Rear seal for HP-1003	1	11001
802	HP-1003B	Front seal for HP-1003	1	11101
803	HP-1003S	Output Shaft for HP-1003	1	HP-1003
804	HP-365B	Key for Hydraulic Pump, Model 365	1	HP-365-C1 & HP-365-C3
805	KEY-6-6-40	Keystock 3/8" x 3/8" x 2 1/2" Square Cut (1018)	1	
806	A-90DF-32	O Ring for Flange Face 2"	2	A-SFK-32

Replaces Assembly #'s 1002-1-1, 1002-1-2, & 1002-1-4

1002-1-14 OPTIONAL GOOSENECK HITCH ASSEMBLY



NOTE: 24 & 26 USE AS NEEDED